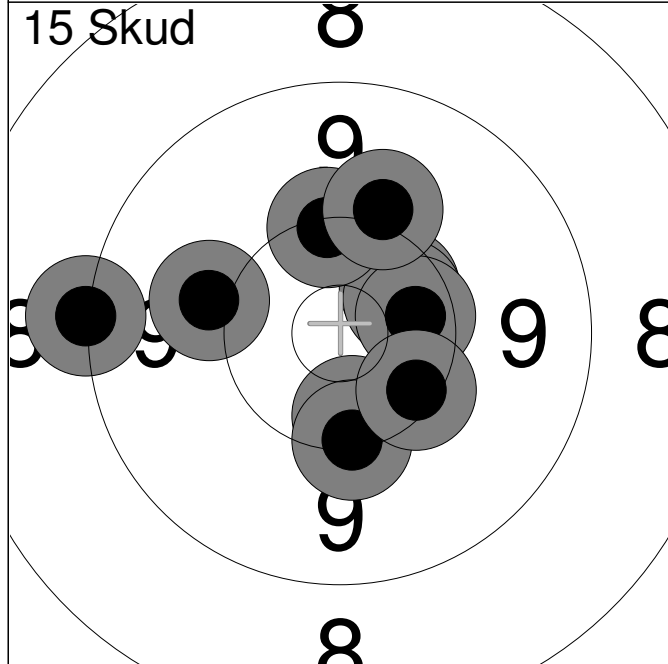
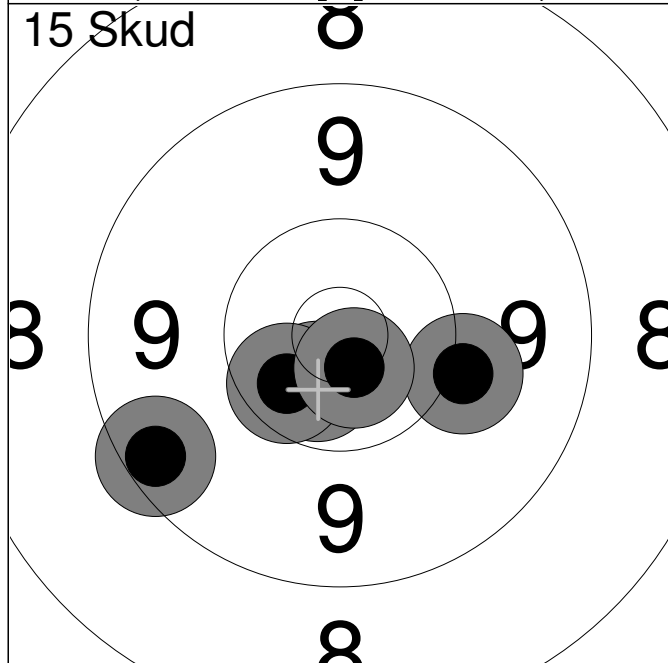


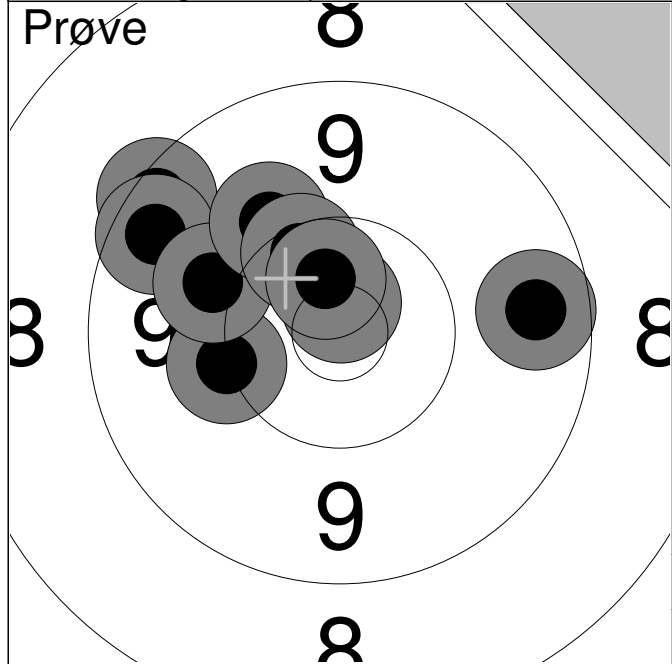
1:	7.5	↑
2:	8.9	←
3:	9.8	↑
4:	9.3	↗
5:	*10.5	←
6:	9.6	↙
7:	9.5	↗
8:	10.0	↗
Serie		71.0
Total		0.0



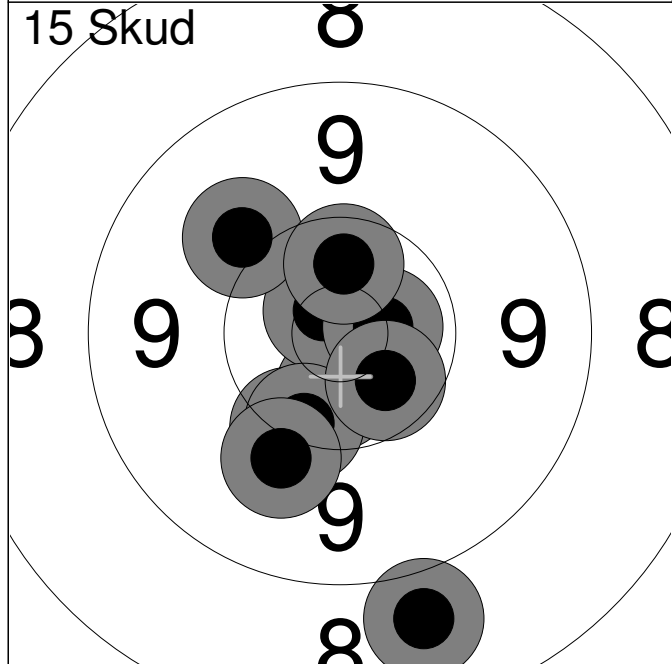
1:	10.0	←
2:	9.2	←
3:	*10.4	↗
4:	*10.5	↗
5:	10.4	↓
6:	*10.4	→
7:	10.2	↑
8:	10.2	↓
9:	10.1	↗
10:	10.3	↘
Serie		99.0
Total		99.0



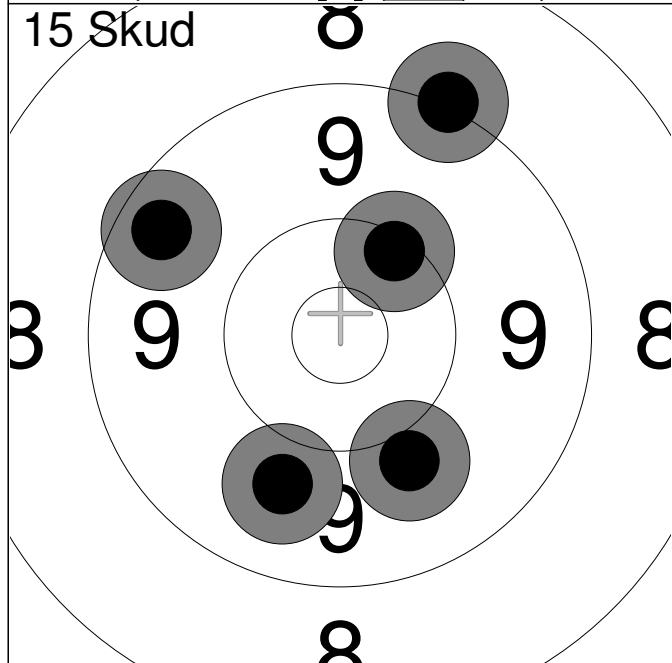
11:	10.1	→
12:	*10.6	↙
13:	*10.5	↙
14:	*10.7	↓
15:	9.4	↙
Serie		49.0
Total		148.0



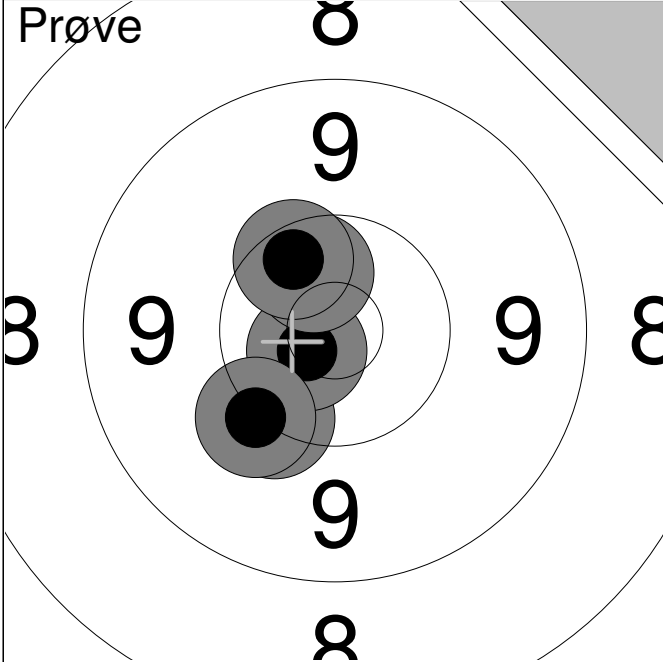
1:	9.4	↗
2:	10.1	↖
3:	9.5	↗
4:	10.0	↗
5:	10.1	↗
6:	10.3	↗
7:	*10.7	↗
8:	*10.6	↗
9:	9.6	→
Serie		87.0
Total		0.0



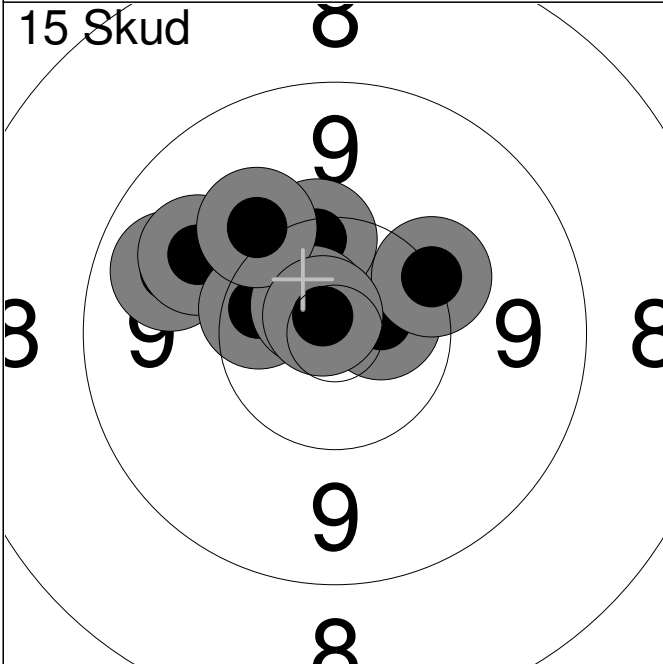
1:	*10.6	↓
2:	*10.8	↗
3:	10.2	↖
4:	8.8	↘
5:	*10.7	→
6:	10.0	↗
7:	10.3	↖
8:	10.0	↖
9:	*10.5	↘
10:	*10.5	↑
Serie		98.0
Total		98.0



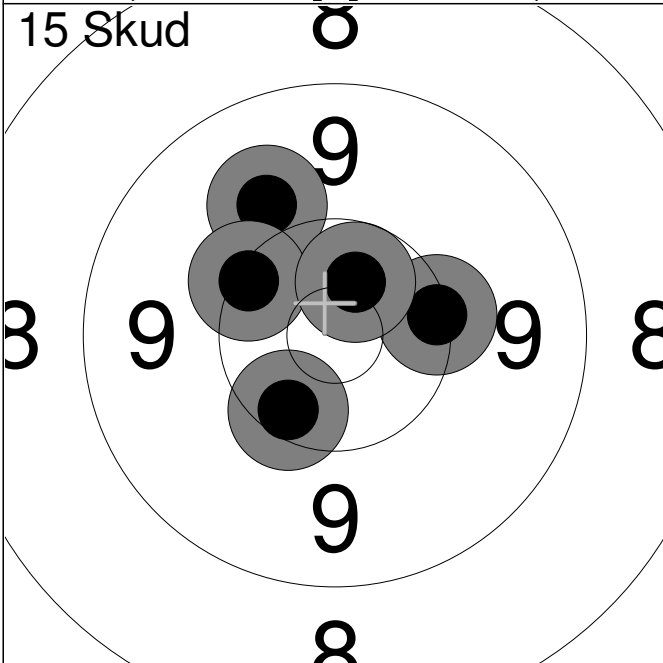
11:	10.3	↗
12:	10.0	↘
13:	9.9	↖
14:	9.1	↗
15:	9.5	↗
Serie		47.0
Total		145.0



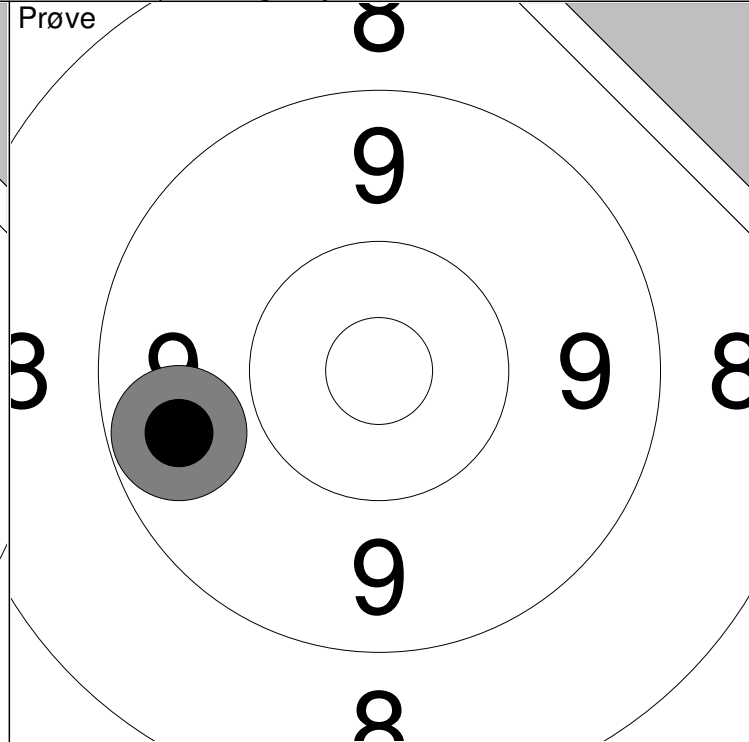
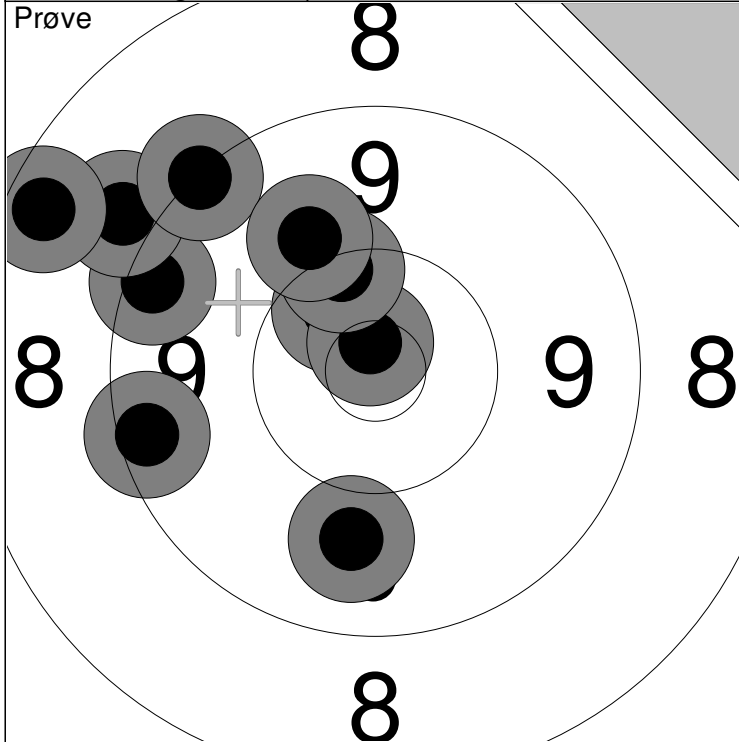
1:	10.2	↙
2:	*10.7	↙
3:	*10.5	↗
4:	10.4	↗
5:	10.1	↙
Serie		50.0
Total		0.0



1:	*10.6	→
2:	9.7	↗
3:	10.3	↗
4:	9.9	↗
5:	10.4	↗
6:	10.3	↗
7:	10.2	→
8:	*10.7	↗
9:	10.1	↗
10:	*10.8	↗
Serie		98.0
Total		98.0

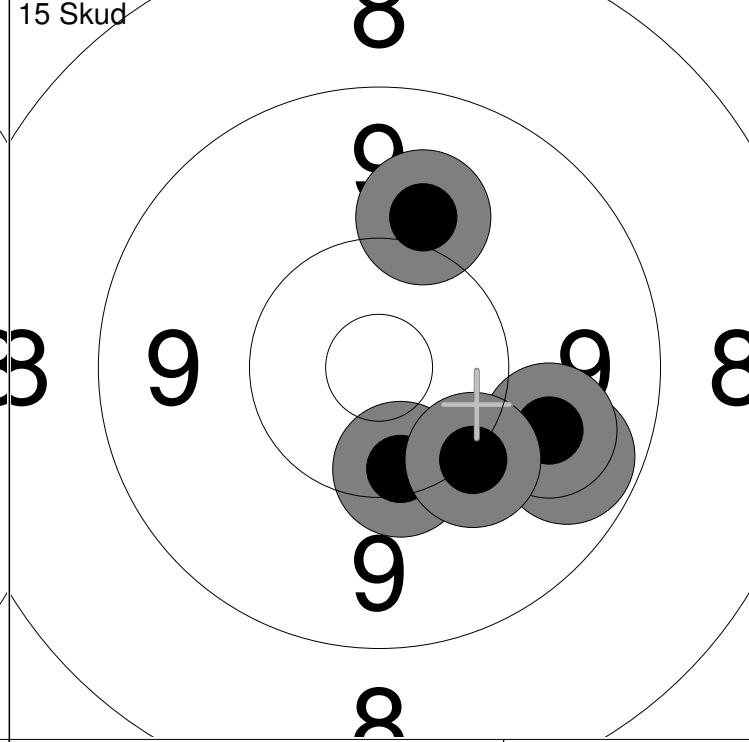
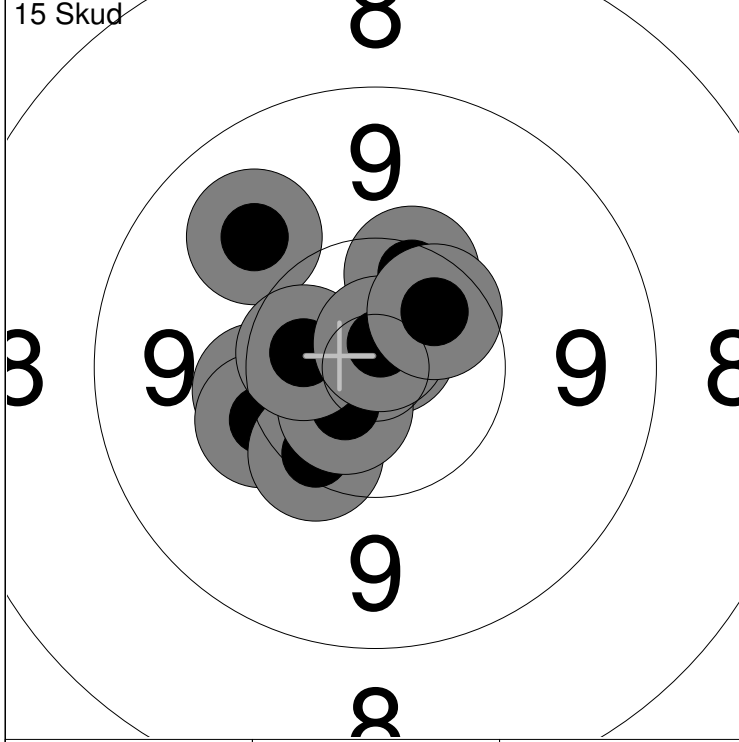


11:	10.2	→
12:	9.9	↗
13:	10.3	↗
14:	*10.6	↗
15:	10.3	↙
Serie		49.0
Total		147.0



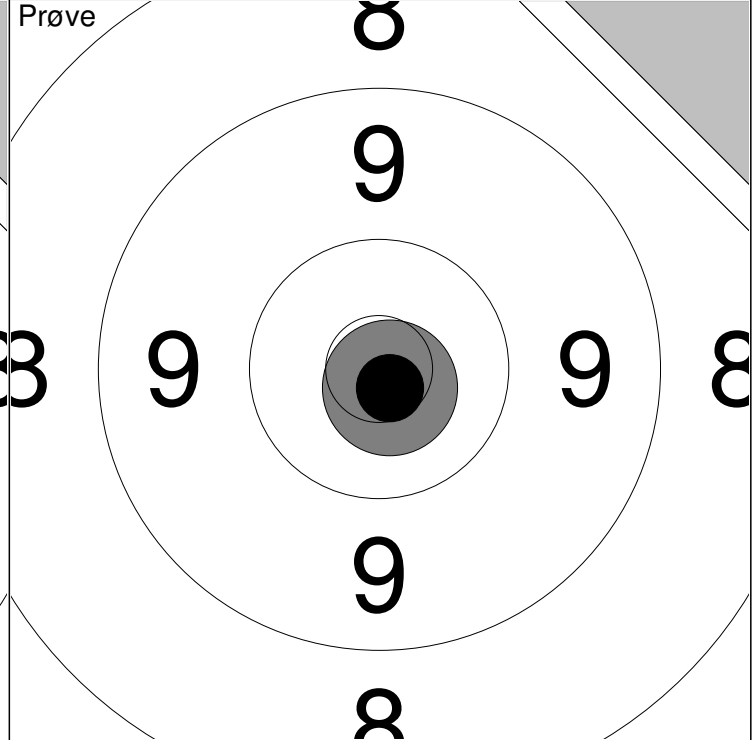
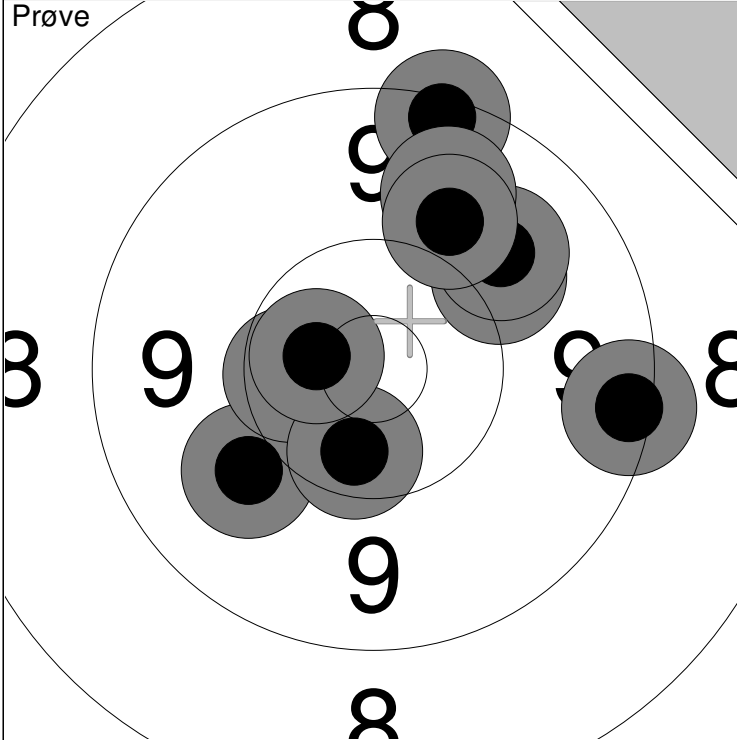
1: 9.3 ↖	6: 9.2 ↗	Serie	92.0
2: 8.9 ↗	7: *10.8 ↗		
3: 9.4 ↖	8: 10.3 ↗	Total	0.0
4: 8.4 ↗	9: 10.0 ↗		
5: *10.5 ↗	10: 9.8 ↘		

11: 9.6 ↖	Serie	9.0
	Total	0.0



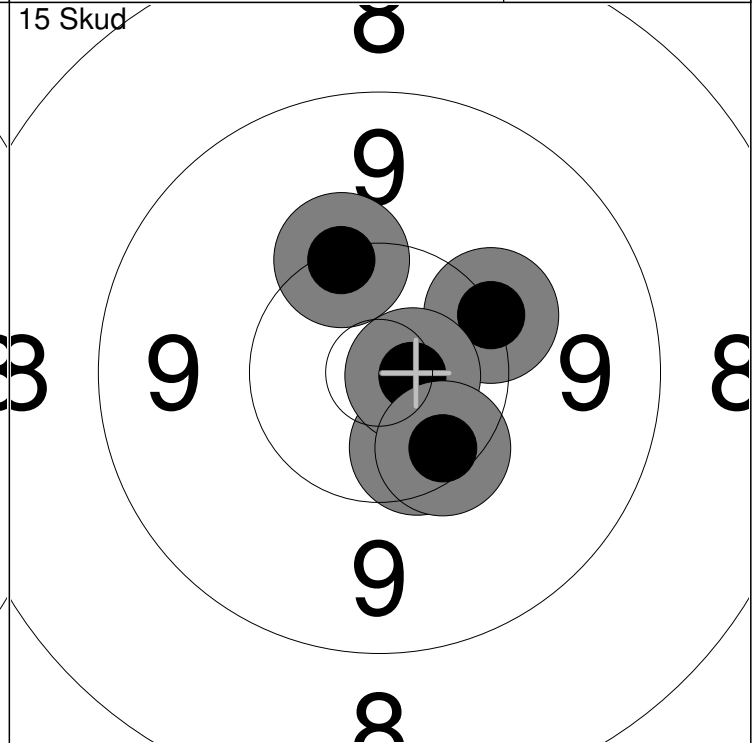
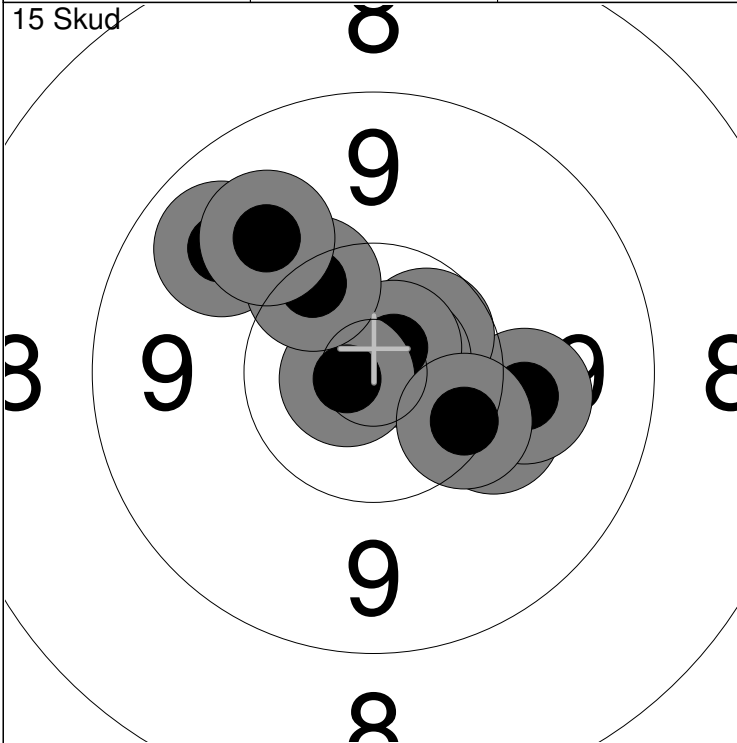
1: 10.2 ↖	6: 9.9 ↗	Serie	99.0
2: 10.2 ↖	7: *10.7 ↘		
3: 10.3 ↘	8: *10.5 ↖	Total	99.0
4: *10.8 ↗	9: *10.8 ↗		
5: 10.3 ↗	10: *10.5 ↗		

11: 9.7 ↘	Serie	48.0
12: 9.8 ↘		
13: 10.0 ↗	Total	147.0
14: 10.3 ↘		
15: 10.1 ↘		



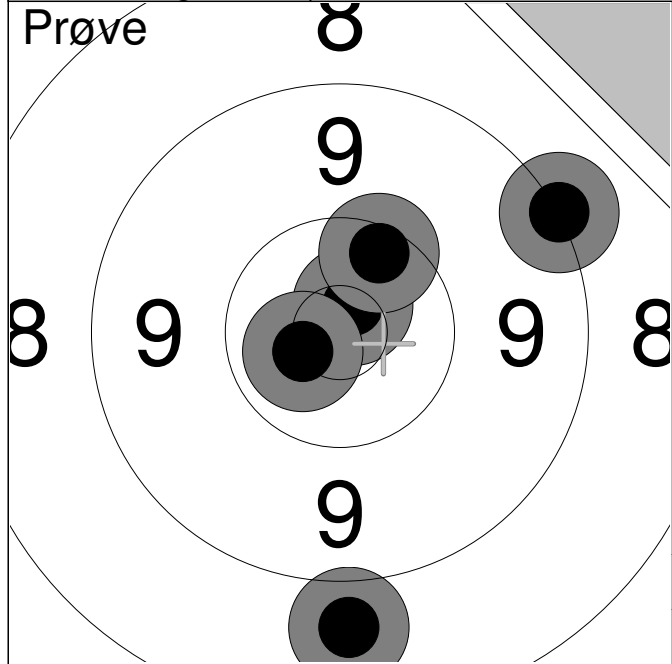
1: 9.3 →	6: 9.9 ↗	Serie	95.0
2: 10.0 ↗	7: *10.6 ←		Total
3: 10.0 ↙	8: 9.3 ↗		
4: *10.4 ←	9: 9.8 ↗		
5: *10.4 ↓	10: 9.9 ↗		

11: *10.8 ↓	Serie	10.0
		Total

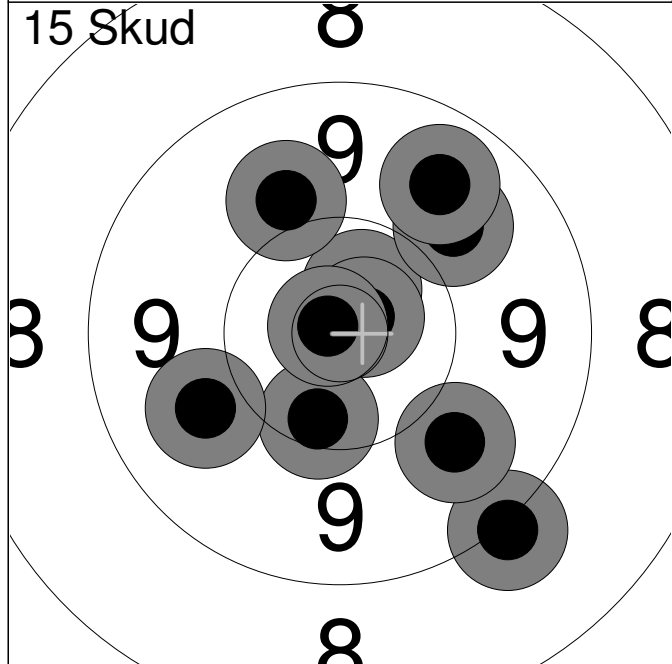


1: 10.1 →	6: 9.7 ↗	Serie	98.0
2: 10.0 →	7: *10.8 ←		Total
3: *10.6 ↗	8: 10.3 ↘		
4: *10.8 ↗	9: 10.3 ↗		
5: *10.8 ↗	10: 9.9 ↗		

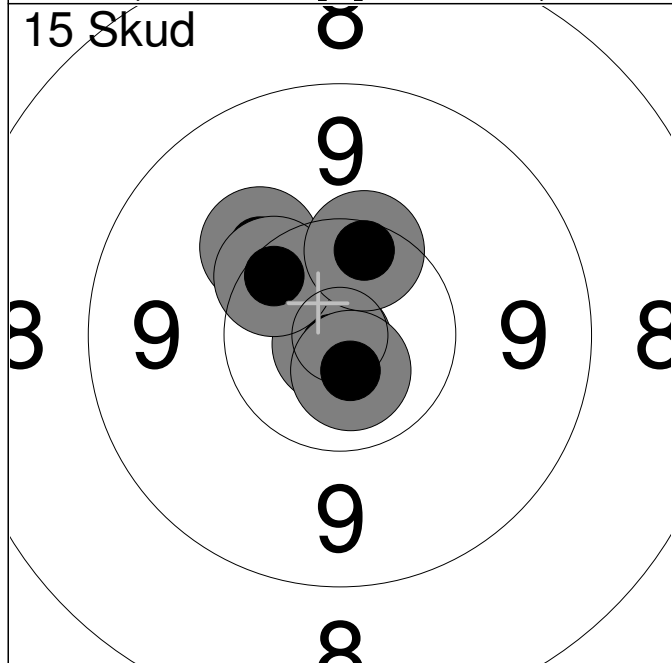
11: 10.2 ↗	Serie	50.0
12: 10.2 ↗		Total
13: *10.4 ↓		
14: *10.7 →		
15: 10.3 ↓		



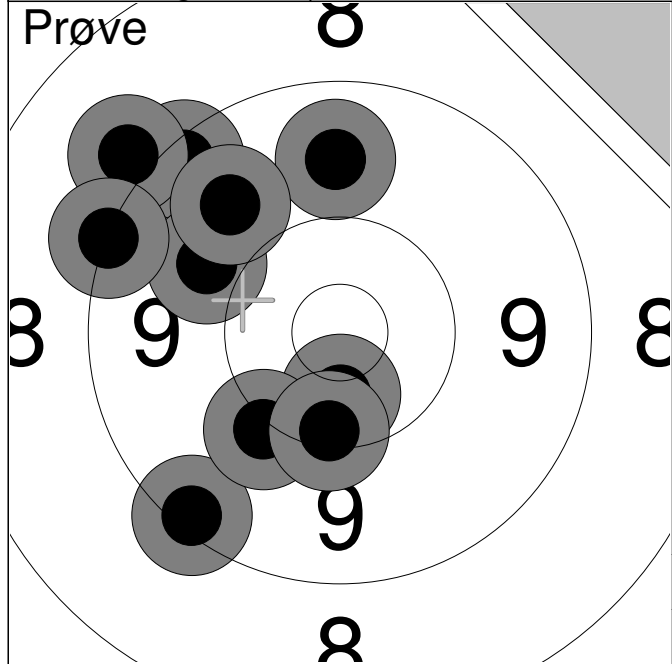
	1:	8.8		↓
	2:	*10.7		↑
	3:	9.2		↗
	4:	10.3		↑
	5:	*10.7		↙
Serie				47.0
Total				0.0



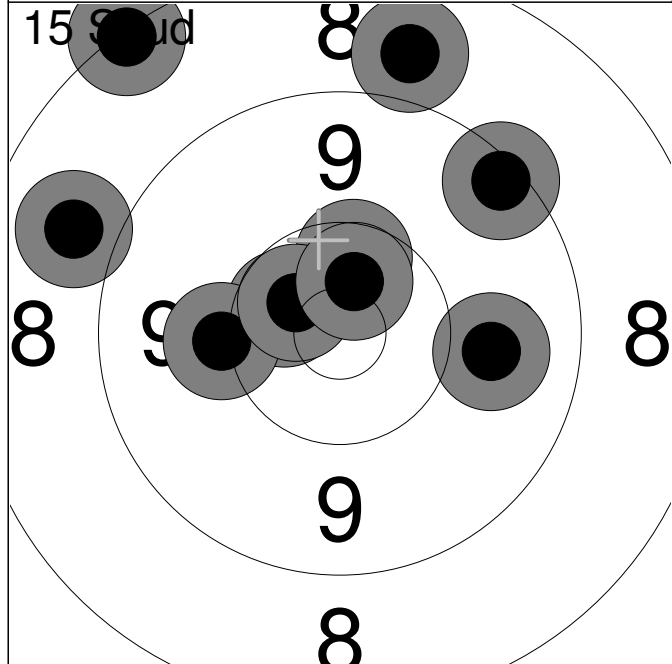
	1:	9.1		↘
	2:	*10.6		↑
	3:	9.9		↘
	4:	*10.7		↗
	5:	10.3		↓
	6:	9.9		↗
	7:	*10.9		↗
	8:	10.0		↑
	9:	9.7		↗
	10:	9.9		↙
Serie				95.0
Total				95.0



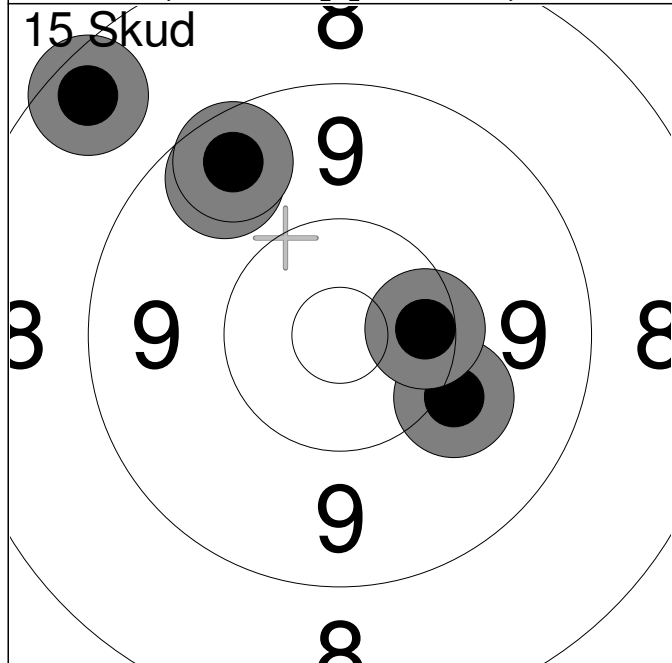
	11:	*10.9		↙
	12:	*10.7		↓
	13:	10.1		↗
	14:	10.3		↗
	15:	10.3		↑
Serie				50.0
Total				145.0



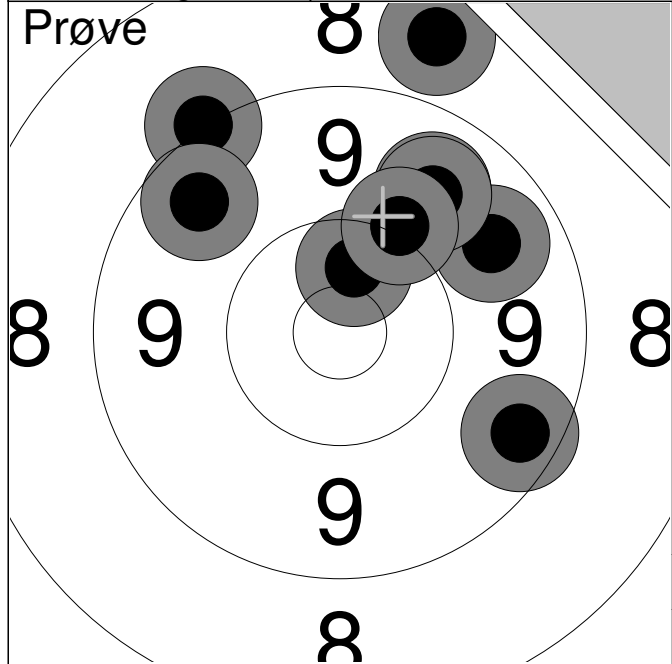
1:	9.3	↗
2:	9.3	↘
3:	*10.5	↓
4:	10.1	↘
5:	10.3	↓
6:	9.8	↑
7:	9.0	↗
8:	9.9	↗
9:	9.8	↗
10:	9.2	↗
Serie		93.0
Total		0.0



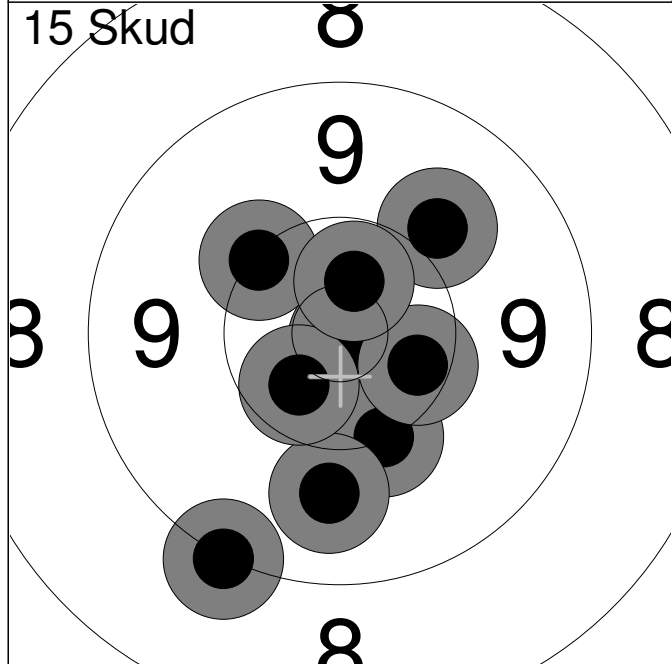
1:	8.8	↗
2:	8.2	↗
3:	9.9	→
4:	*10.5	↗
5:	9.3	↗
6:	8.8	↑
7:	10.1	←
8:	10.4	↑
9:	*10.6	↗
10:	*10.6	↑
Serie		92.0
Total		92.0



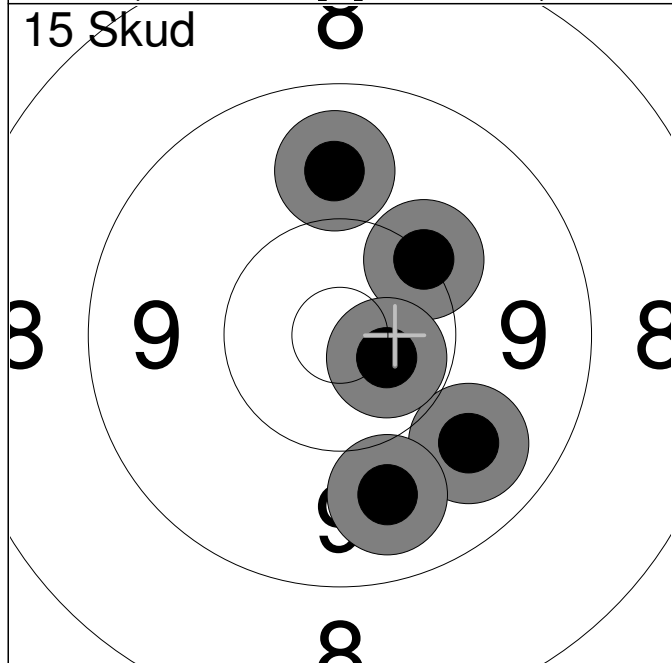
11:	10.1	↘
12:	9.6	↗
13:	9.5	↗
14:	10.4	→
15:	8.5	↗
Serie		46.0
Total		138.0



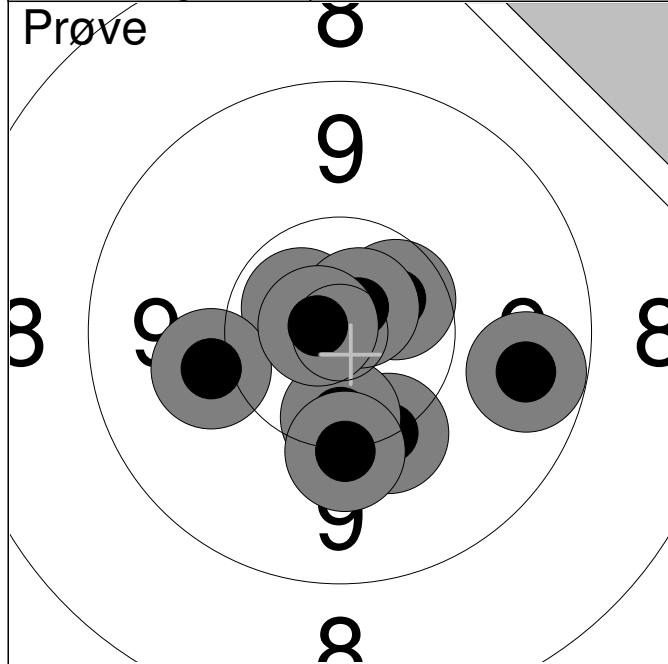
1:	9.5	→
2:	8.7	↑
3:	9.7	↗
4:	9.8	↗
5:	9.2	↖
6:	*10.5	↑
7:	9.8	↗
8:	9.6	↖
9:	10.1	↗
Serie		82.0
Total		0.0



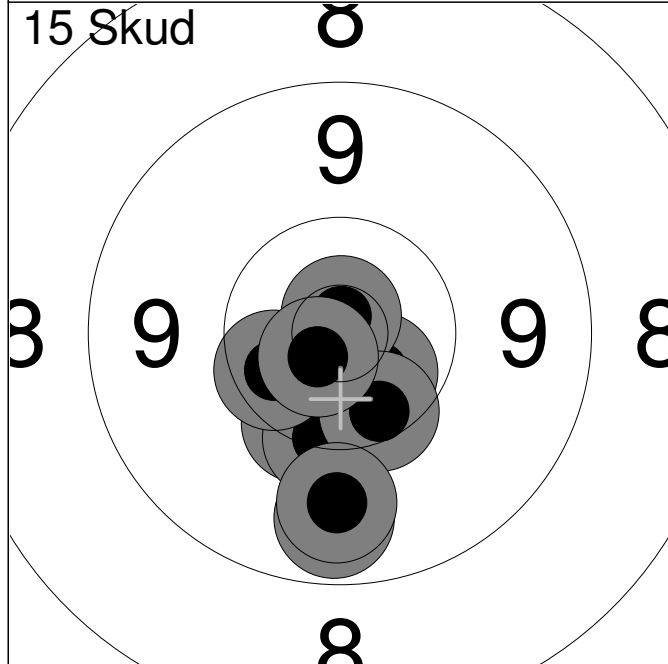
1:	10.0	↗
2:	*10.9	↘
3:	10.2	↗
4:	10.3	↘
5:	10.2	↘
6:	10.4	↘
7:	9.9	↘
8:	*10.5	↖
9:	*10.6	↑
10:	9.2	↘
Serie		98.0
Total		98.0



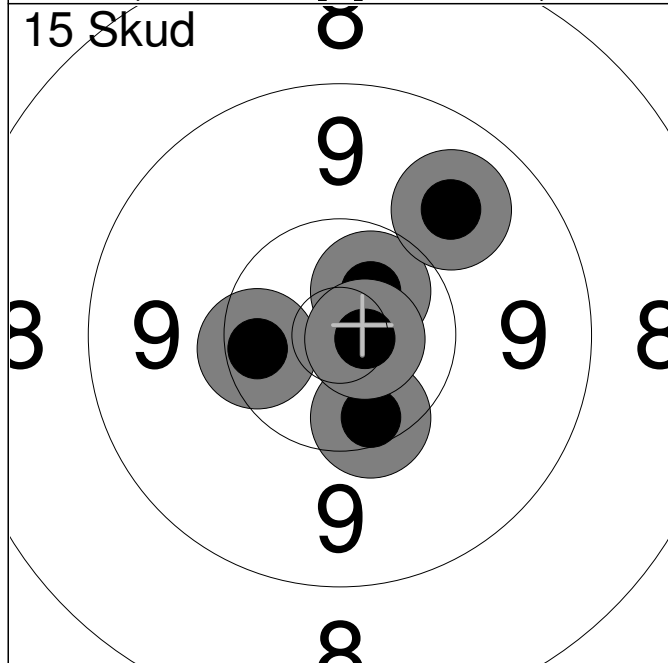
11:	9.8	↘
12:	9.8	↑
13:	10.2	↗
14:	*10.6	↘
15:	9.8	↘
Serie		47.0
Total		145.0



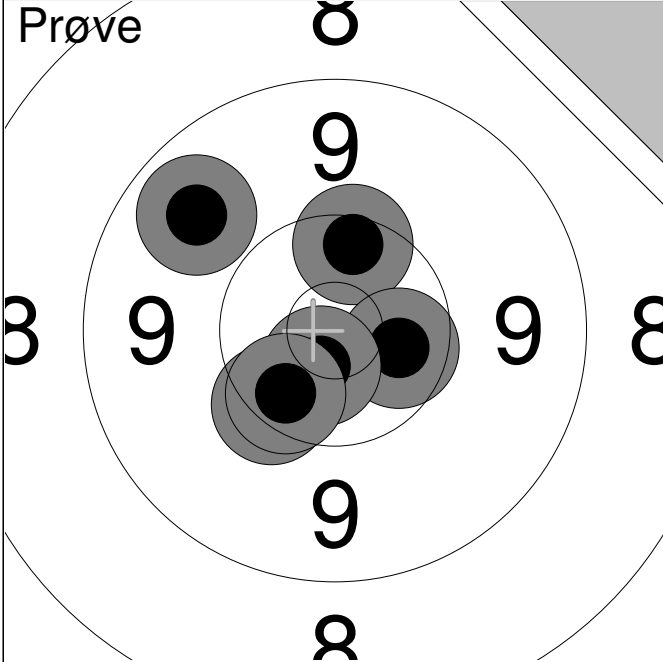
1:	*10.6	↗
2:	10.2	↓
3:	*10.5	↗
4:	10.4	↓
5:	10.1	↓
6:	9.6	→
7:	*10.7	↗
8:	10.0	←
9:	*10.8	↖
Serie		89.0
Total		0.0



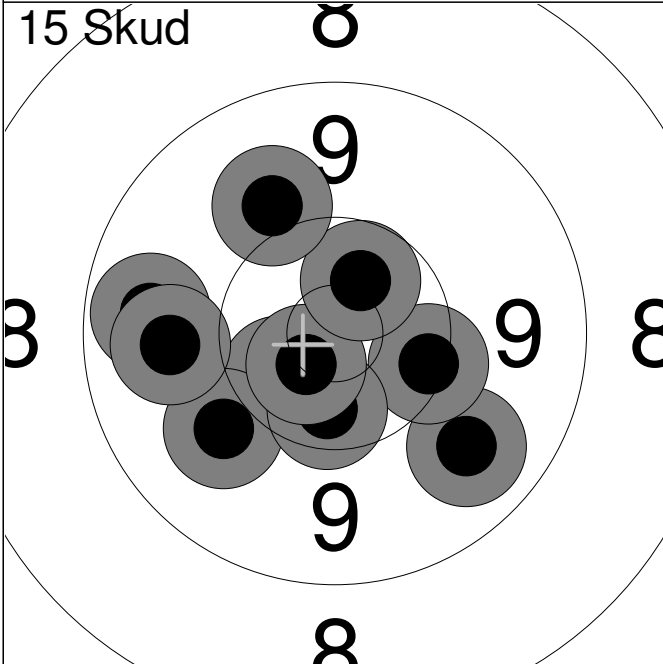
1:	*10.8	↓
2:	*10.6	↘
3:	10.3	↘
4:	9.7	↓
5:	*10.8	↑
6:	10.2	↓
7:	*10.4	↖
8:	10.4	↓
9:	*10.7	↖
10:	9.8	↓
Serie		98.0
Total		98.0



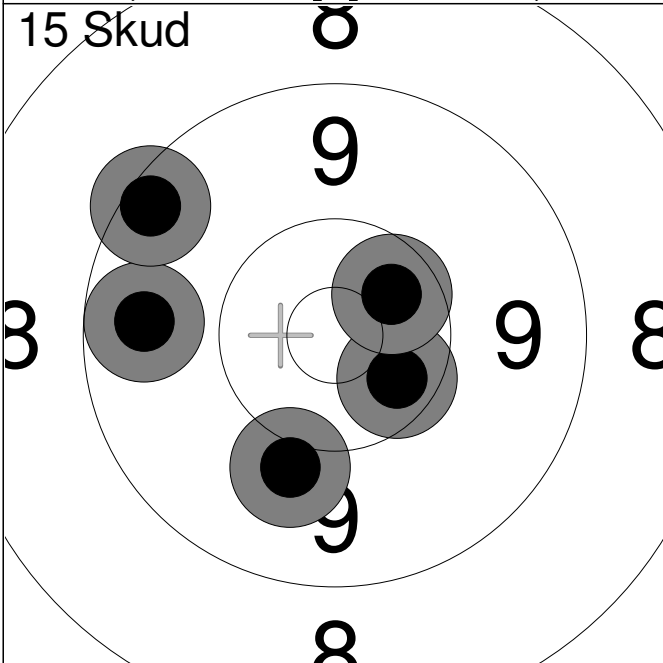
11:	10.4	↓
12:	*10.6	↗
13:	9.8	↗
14:	10.4	←
15:	*10.8	→
Serie		49.0
Total		147.0



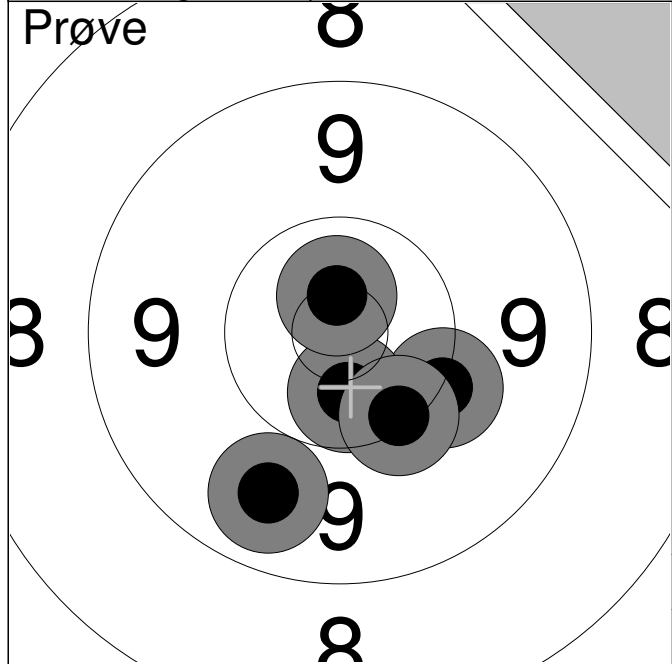
	1:	10.3	↑
	2:	*10.5	→
	3:	10.3	↘
	4:	9.7	↗
	5:	*10.7	↘
	6:	10.4	↘
Serie			59.0
Total			0.0



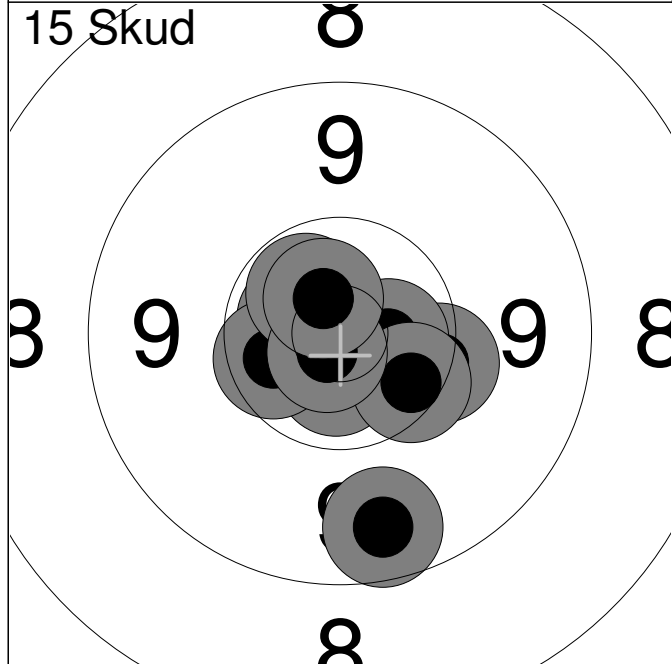
	1:	9.7	←
	2:	*10.5	↘
	3:	10.0	↘
	4:	9.8	↘
	5:	10.3	→
	6:	*10.4	↘
	7:	9.8	←
	8:	*10.7	↘
	9:	*10.6	↗
	10:	10.0	↗
Serie			97.0
Total			97.0



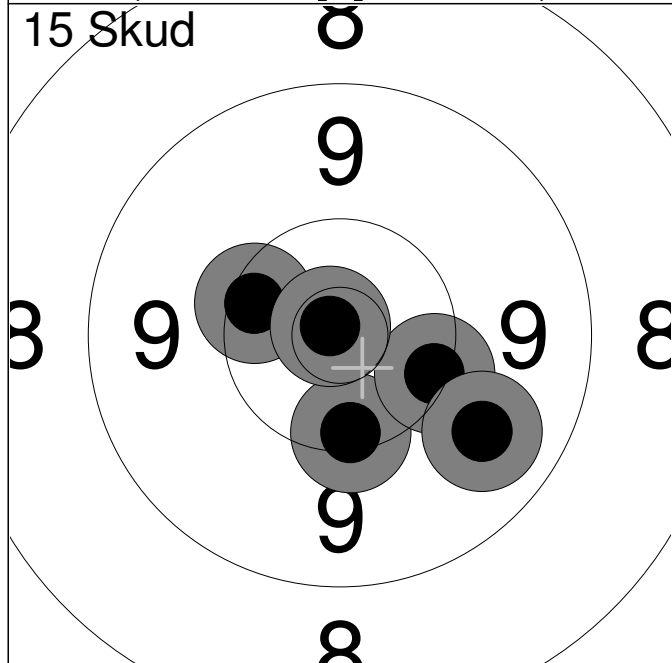
	11:	9.6	←
	12:	*10.4	↘
	13:	10.0	↘
	14:	9.4	↗
	15:	*10.5	↗
Serie			48.0
Total			145.0



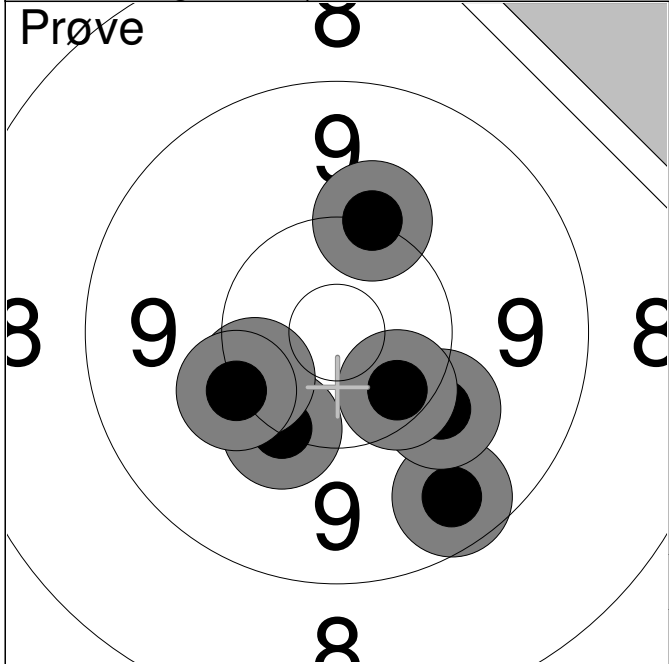
	1:	9.7	↙
	2:	10.2	↘
	3:	*10.5	↙
	4:	*10.7	↗
	5:	10.3	↙
Serie			49.0
Total			0.0



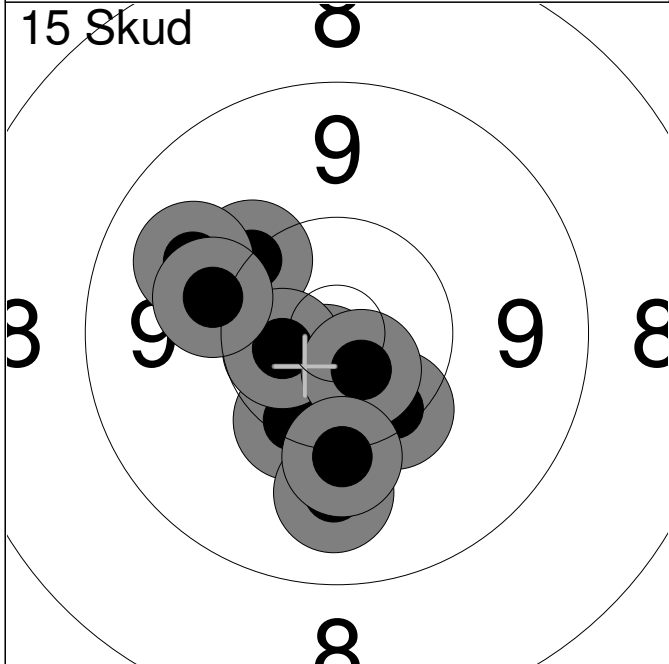
	1:	*10.7	↙
	2:	*10.6	↗
	3:	*10.5	↙
	4:	10.2	↘
	5:	*10.6	↗
	6:	*10.6	↘
	7:	10.4	↙
	8:	*10.8	↙
	9:	*10.7	↗
	10:	9.6	↙
Serie			99.0
Total			99.0



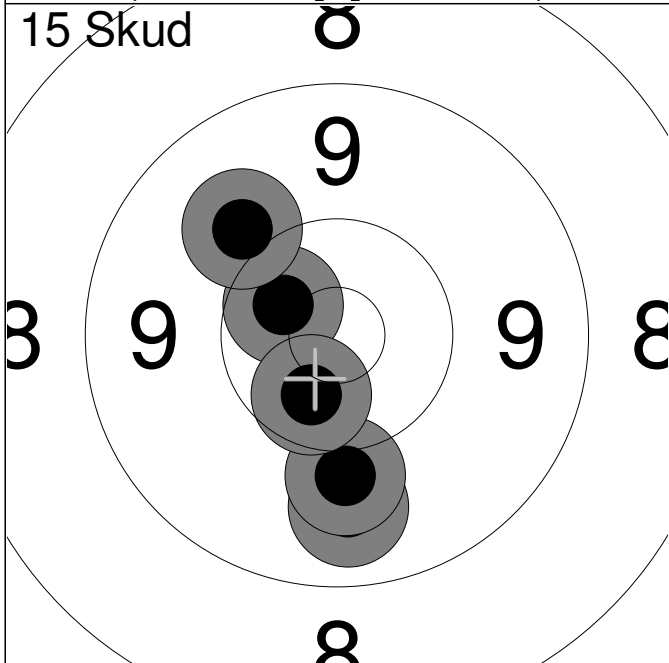
	11:	10.3	↙
	12:	10.3	↘
	13:	9.8	↙
	14:	10.3	↗
	15:	*10.9	↗
Serie			49.0
Total			148.0



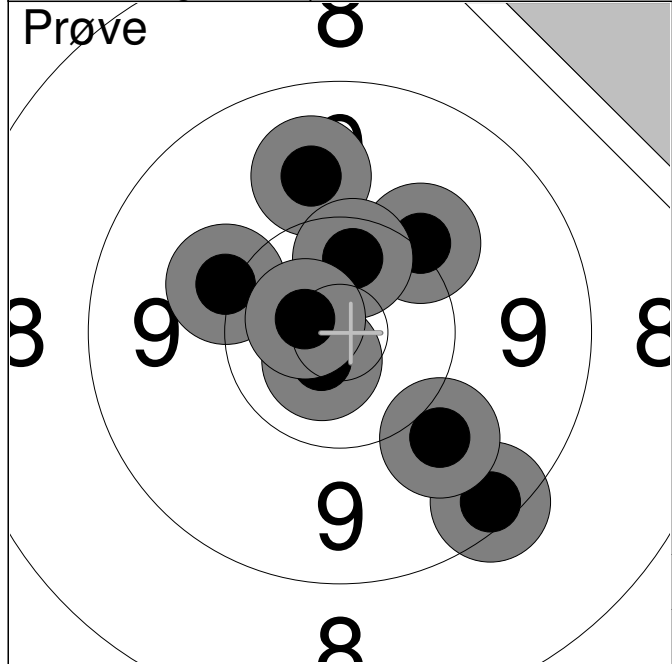
1:	10.3	↙
2:	9.6	↘
3:	10.1	↘
4:	10.2	↙
5:	10.3	↙
6:	10.1	↗
7:	10.4	↘
8:	10.2	↙
Serie		79.0
Total		0.0



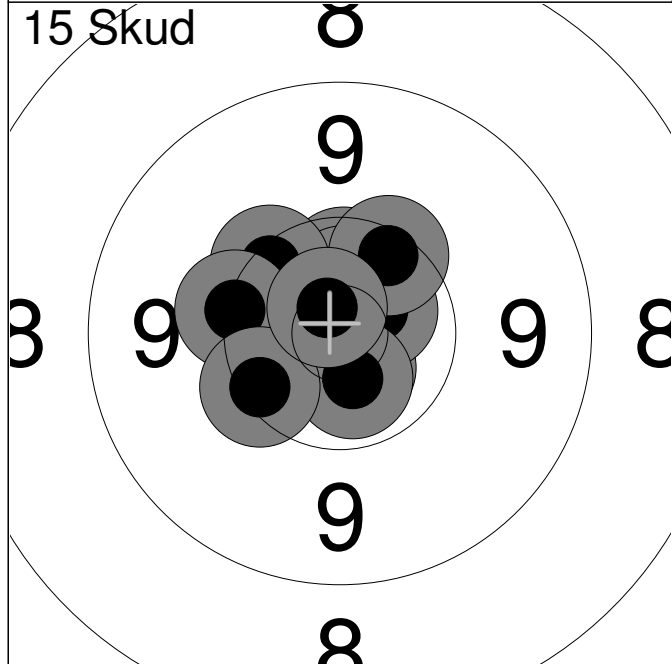
1:	*10.7	↘
2:	10.2	↗
3:	9.8	↗
4:	10.3	↙
5:	*10.6	↙
6:	9.9	↘
7:	10.3	↘
8:	10.1	↗
9:	*10.7	↘
10:	10.1	↘
Serie		98.0
Total		98.0



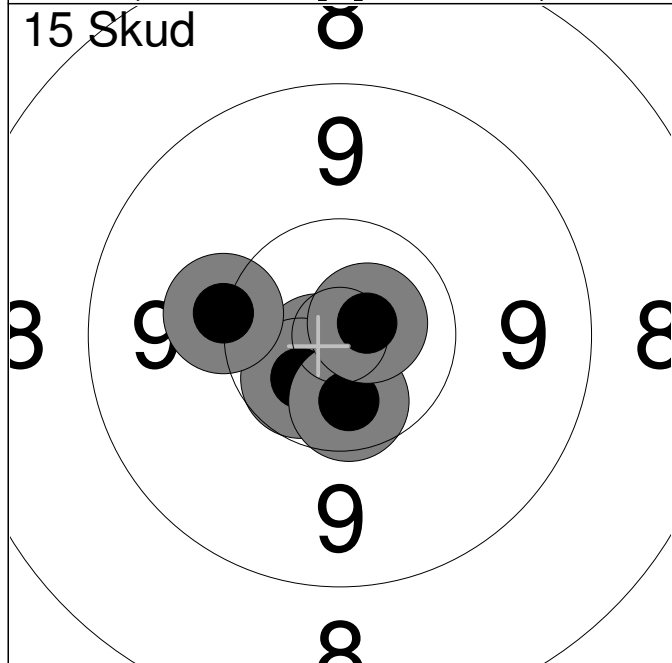
11:	*10.5	↗
12:	9.8	↘
13:	10.0	↘
14:	*10.5	↙
15:	10.0	↗
Serie		49.0
Total		147.0



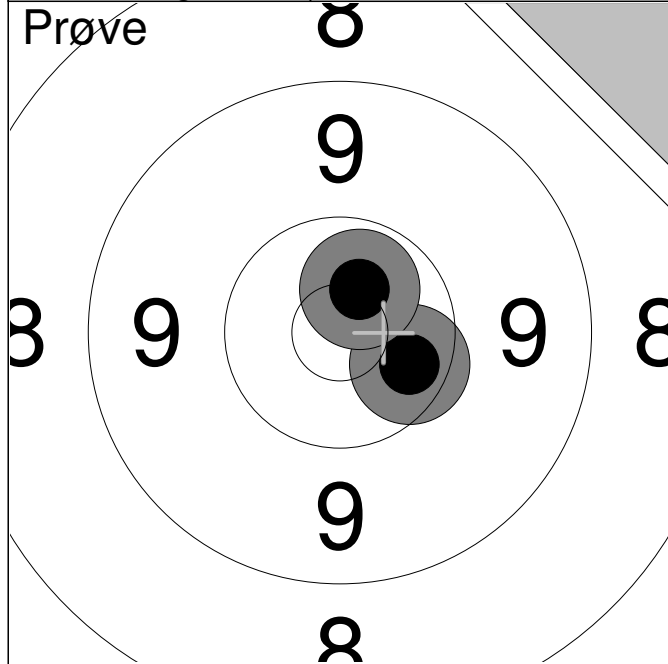
1:	10.1	↖
2:	*10.7	↙
3:	10.1	↗
4:	9.9	↑
5:	9.4	↘
6:	*10.4	↑
7:	10.0	↘
8:	*10.7	↑
Serie		78.0
Total		0.0



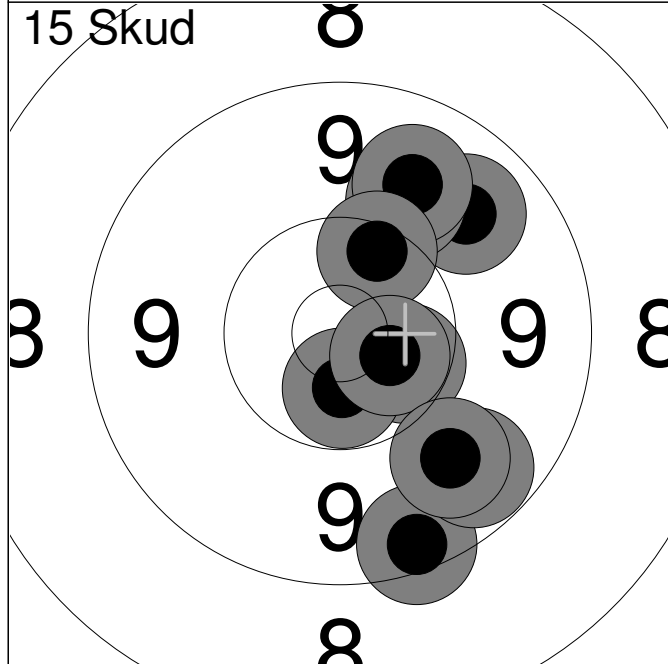
1:	*10.5	↑
2:	*10.7	↘
3:	*10.6	↑
4:	*10.6	↗
5:	10.3	↗
6:	10.3	↗
7:	*10.6	↘
8:	10.2	←
9:	10.3	↙
10:	*10.8	↑
Serie		100.0
Total		100.0



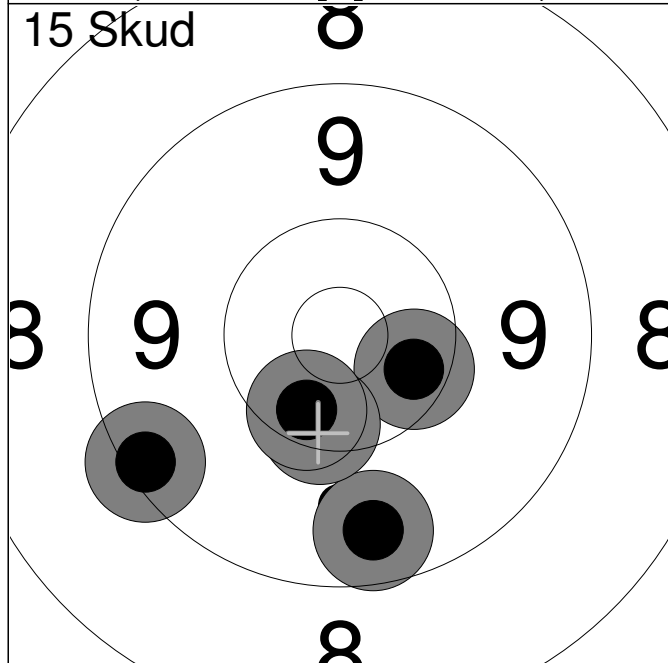
11:	*10.8	↙
12:	*10.6	↙
13:	*10.5	↘
14:	10.1	←
15:	*10.7	↗
Serie		50.0
Total		150.0



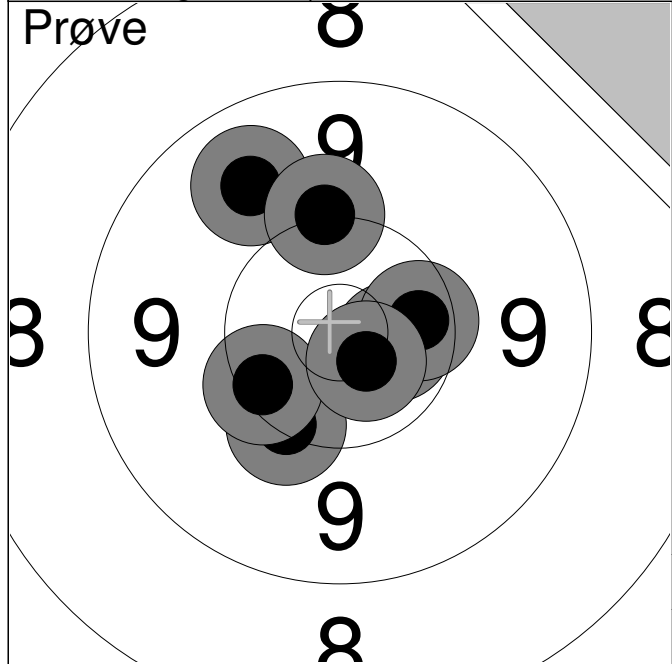
	1:	*10.4	→
	2:	*10.6	↑
Serie			20.0
Total			0.0



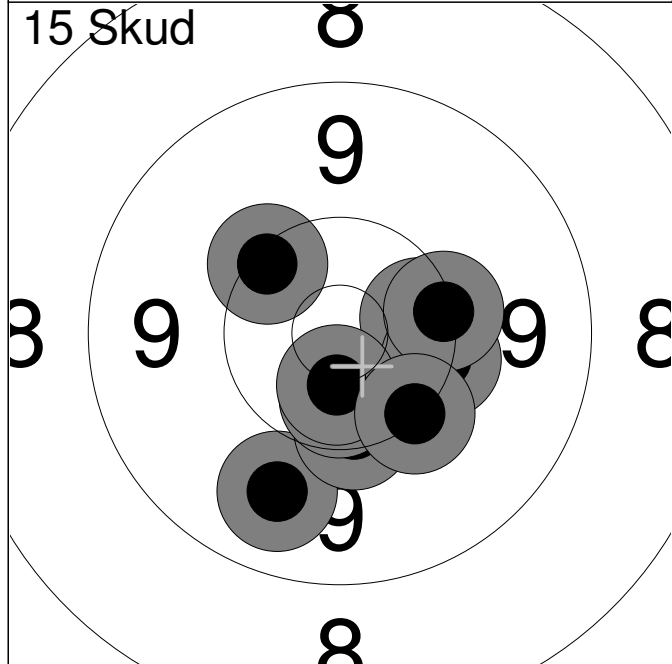
	1:	9.7	↗
	2:	9.9	↑
	3:	9.8	↑
	4:	9.4	↓
	5:	*10.5	→
	6:	10.3	↑
	7:	9.6	↓
	8:	*10.6	↓
	9:	*10.6	→
	10:	9.8	↓
Serie			94.0
Total			94.0



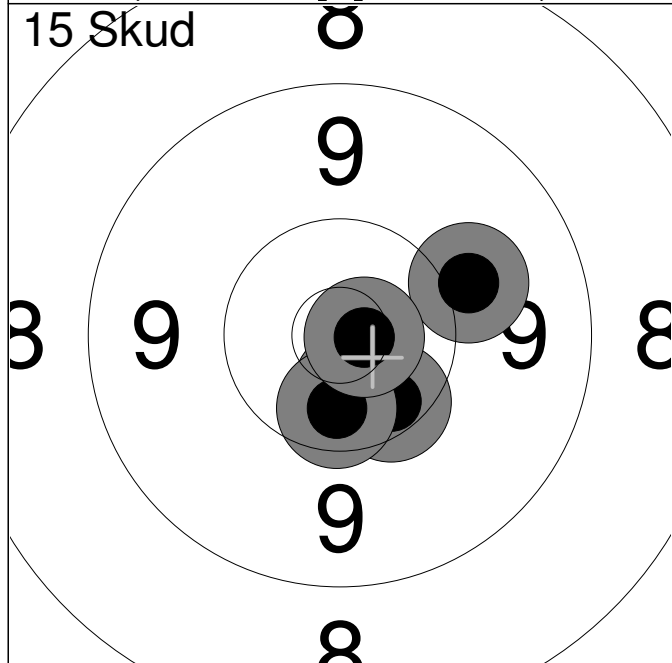
	11:	9.6	↓
	12:	10.4	→
	13:	10.3	↓
	14:	9.3	↖
	15:	10.4	↓
Serie			48.0
Total			142.0



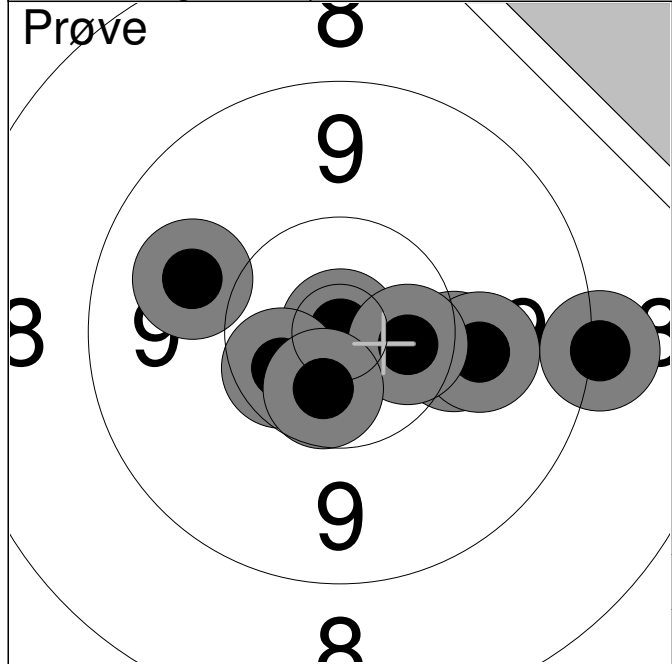
1:	10.2	↙
2:	9.8	↗
3:	10.1	↗
4:	10.3	↙
5:	*10.6	→
6:	10.4	→
7:	*10.7	↙
Serie		69.0
Total		0.0



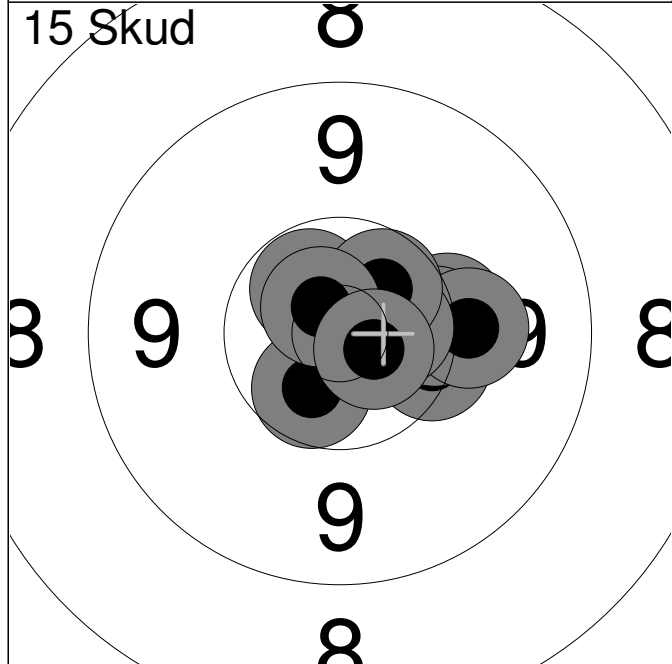
1:	9.8	↙
2:	*10.4	↙
3:	10.3	↙
4:	10.4	→
5:	10.3	↗
6:	10.2	↘
7:	*10.5	↙
8:	10.2	→
9:	*10.6	↙
10:	10.2	↘
Serie		99.0
Total		99.0



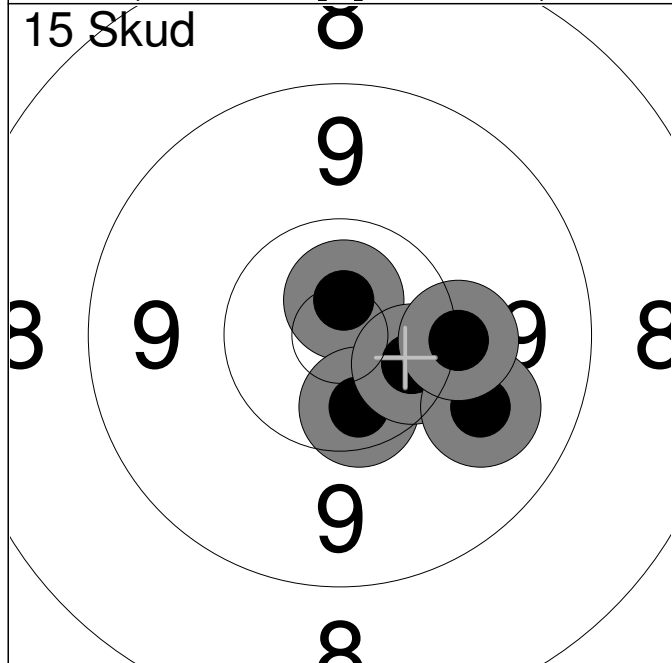
11:	*10.6	↙
12:	10.0	→
13:	10.4	↘
14:	*10.5	↙
15:	*10.8	→
Serie		50.0
Total		149.0



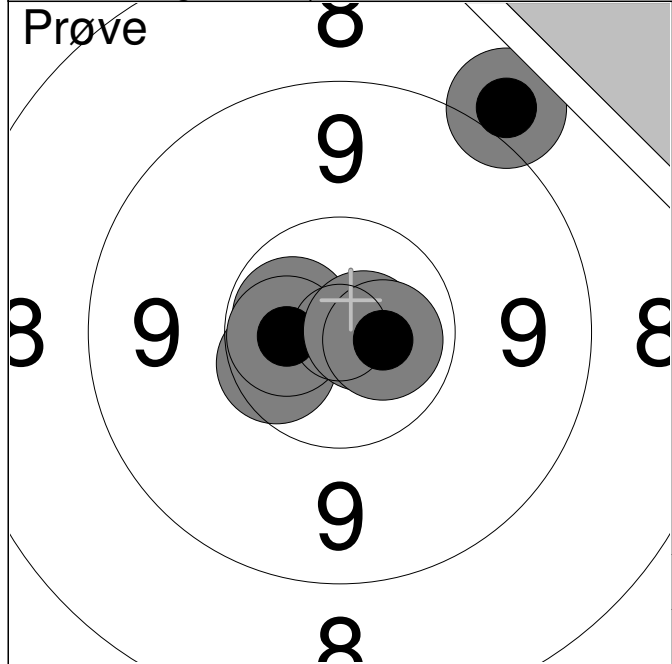
1:	9.9	↖
2:	9.1	→
3:	10.2	→
4:	10.0	→
5:	*10.9	↑
6:	*10.5	→
7:	*10.5	↖
8:	*10.6	↘
Serie		78.0
Total		0.0



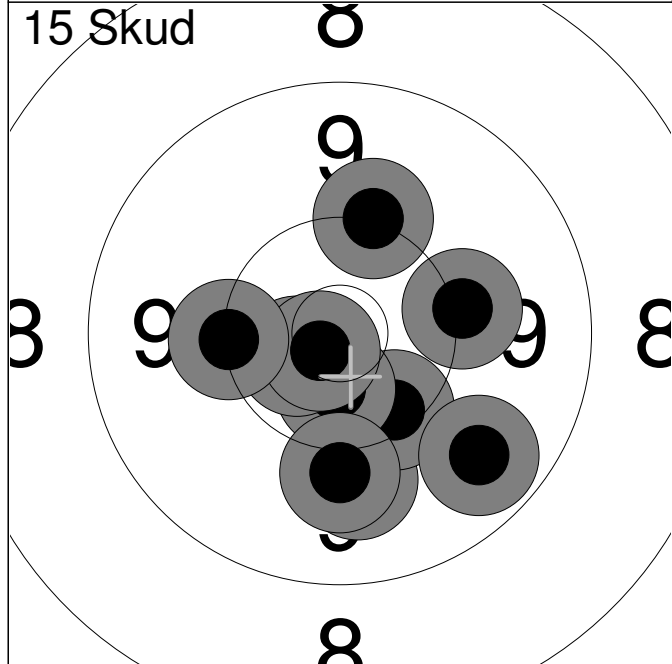
1:	10.2	→
2:	*10.6	↗
3:	10.3	→
4:	10.3	→
5:	*10.5	↘
6:	10.1	→
7:	*10.6	→
8:	*10.5	↗
9:	*10.7	↗
10:	*10.7	↘
Serie		100.0
Total		100.0



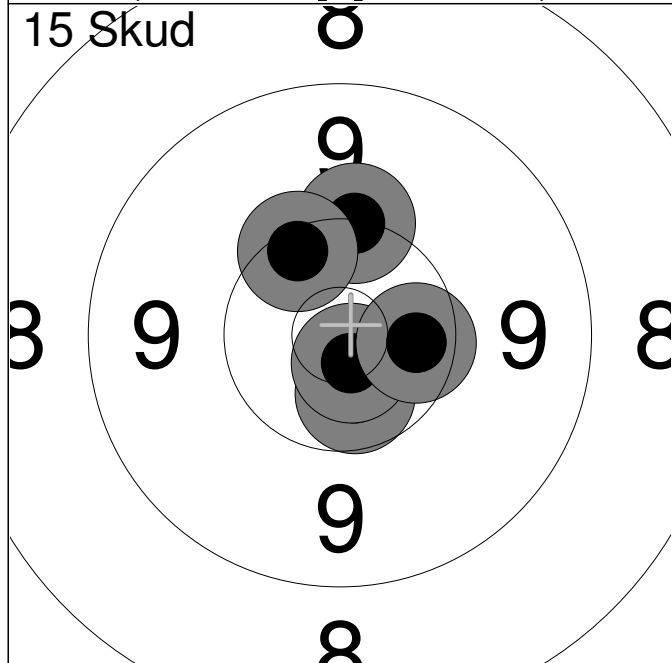
11:	*10.7	↑
12:	*10.4	↘
13:	*10.4	↘
14:	9.9	↘
15:	10.1	→
Serie		49.0
Total		149.0



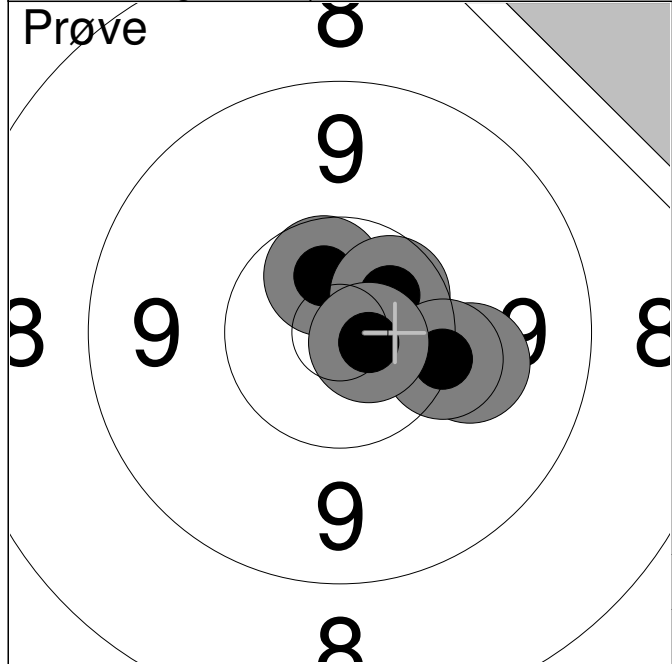
1:	9.0	↗
2:	*10.6	↖
3:	*10.5	↙
4:	*10.6	←
5:	*10.8	→
6:	*10.7	↘
Serie		59.0
Total		0.0



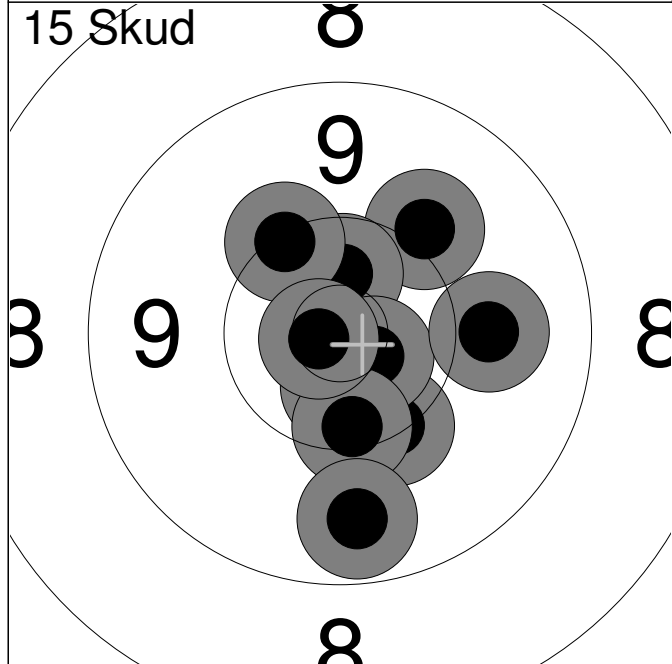
1:	9.9	↓
2:	10.3	↙
3:	9.7	↘
4:	*10.6	↓
5:	10.0	↓
6:	10.1	↑
7:	*10.6	↖
8:	10.1	→
9:	*10.8	↙
10:	10.2	←
Serie		98.0
Total		98.0



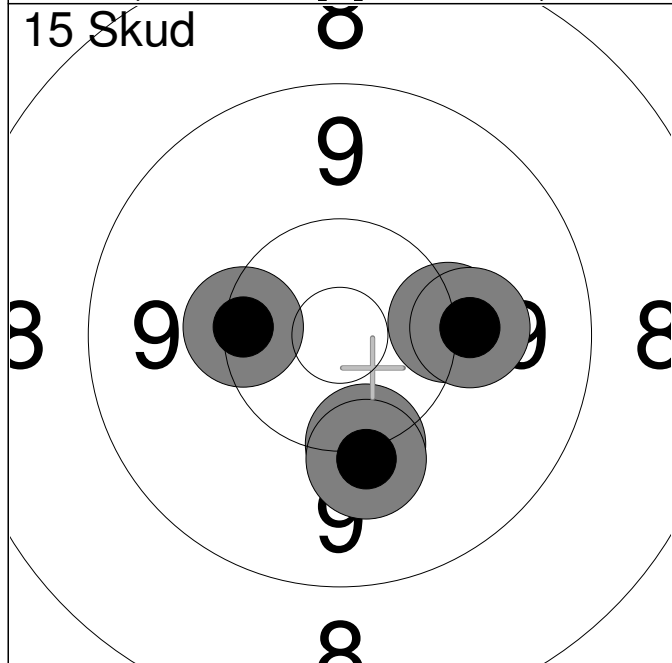
11:	10.2	↑
12:	*10.5	↓
13:	10.3	↗
14:	*10.7	↘
15:	*10.4	↘
Serie		50.0
Total		148.0



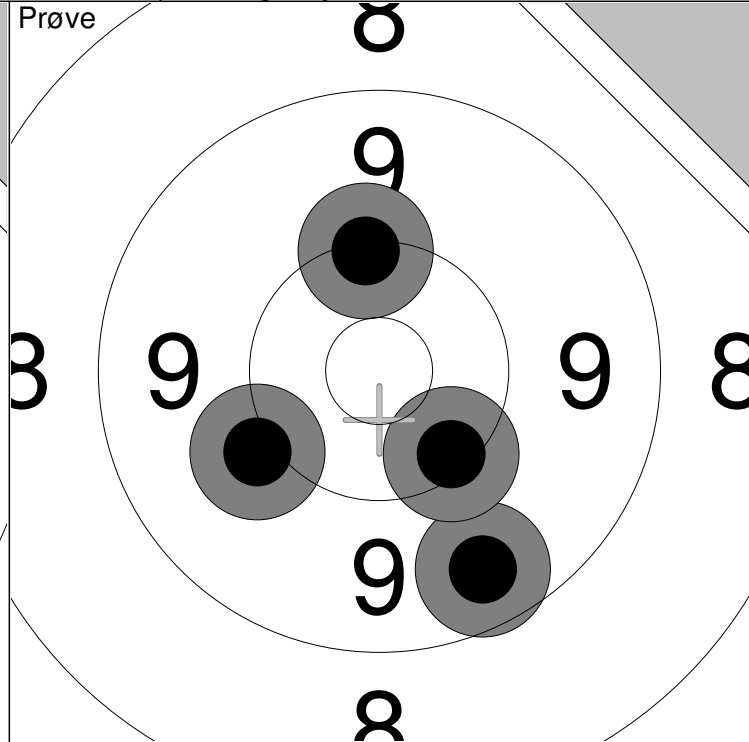
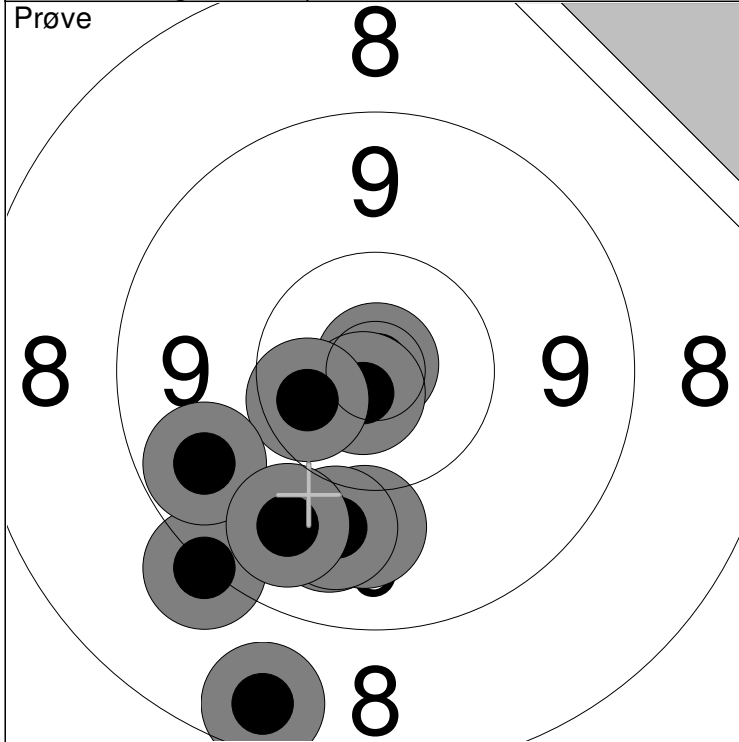
	1:	*10.5	↑
	2:	*10.5	↗
	3:	10.0	→
	4:	10.2	→
	5:	*10.7	↘
Serie			50.0
Total			0.0



	1:	10.2	↘
	2:	10.0	↗
	3:	*10.5	↑
	4:	*10.6	↘
	5:	*10.7	↘
	6:	10.3	↘
	7:	10.2	↗
	8:	*10.8	←
	9:	9.9	→
	10:	9.7	↘
Serie			98.0
Total			98.0

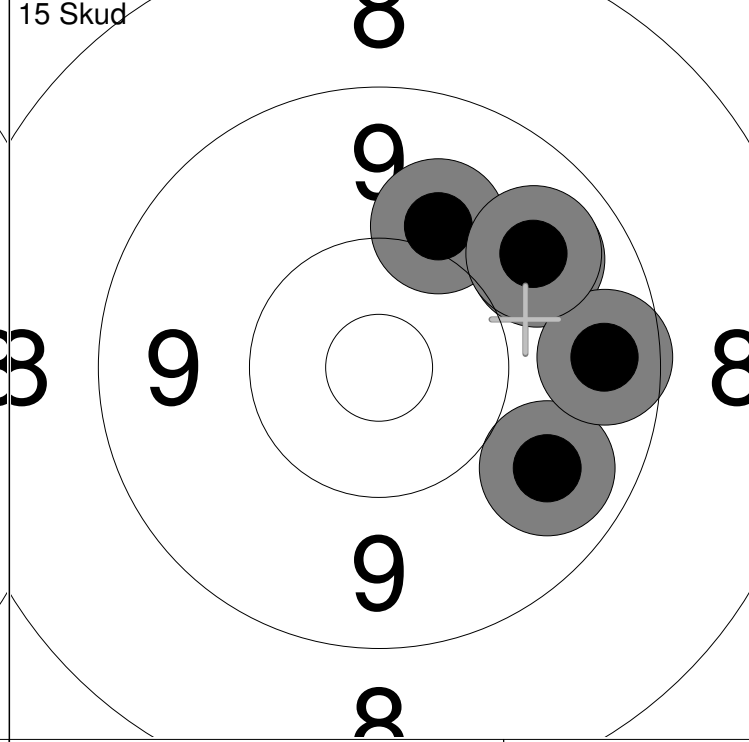
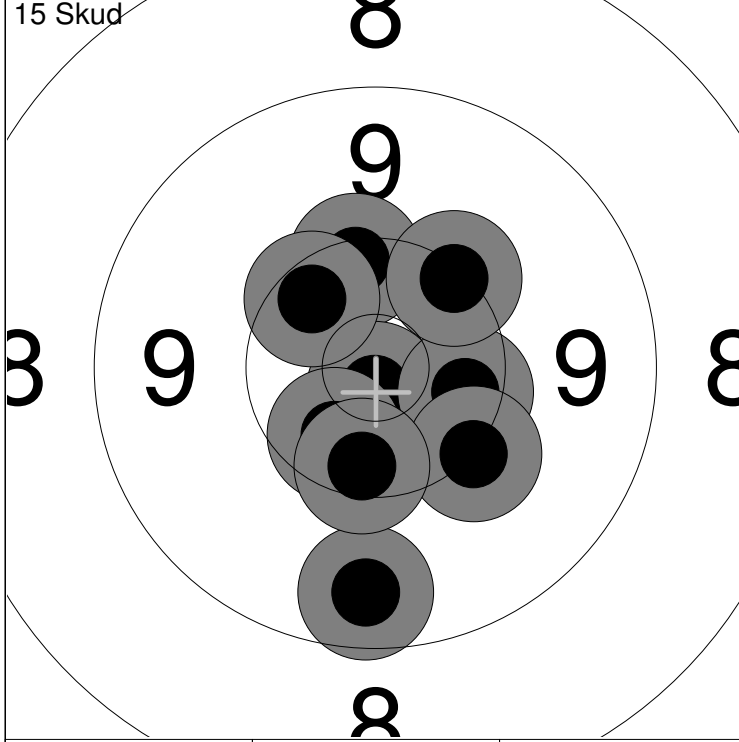


	11:	10.3	←
	12:	10.2	→
	13:	10.2	↘
	14:	10.1	↘
	15:	10.1	→
Serie			50.0
Total			148.0



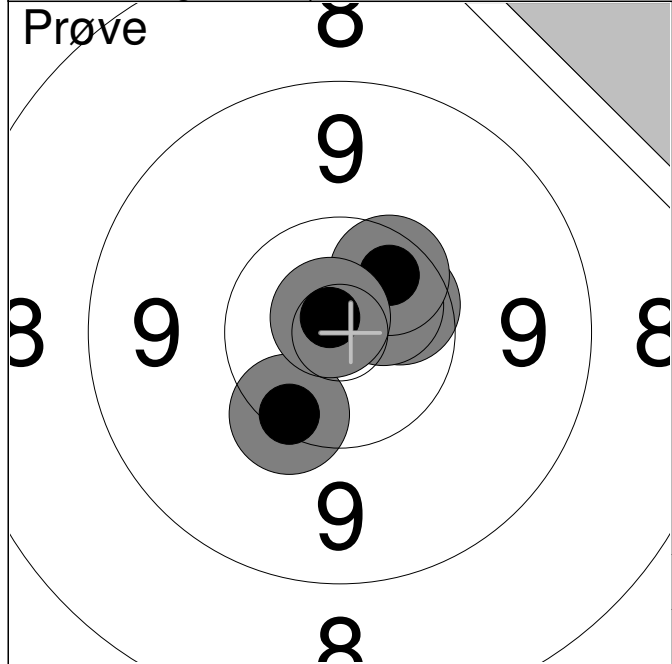
1: *10.9 ↑	6: *10.5 ←	Serie	92.0
2: 9.8 ↓	7: 9.2 ↙		Total
3: 9.9 ↓	8: 8.5 ↓		
4: *10.8 ↓	9: 9.6 ↙		
5: 9.9 ↓	10: 9.8 ↓		

11: 10.1 ↙	Serie	39.0
12: 10.2 ↑		Total
13: 9.6 ↓		
14: 10.3 ↓		

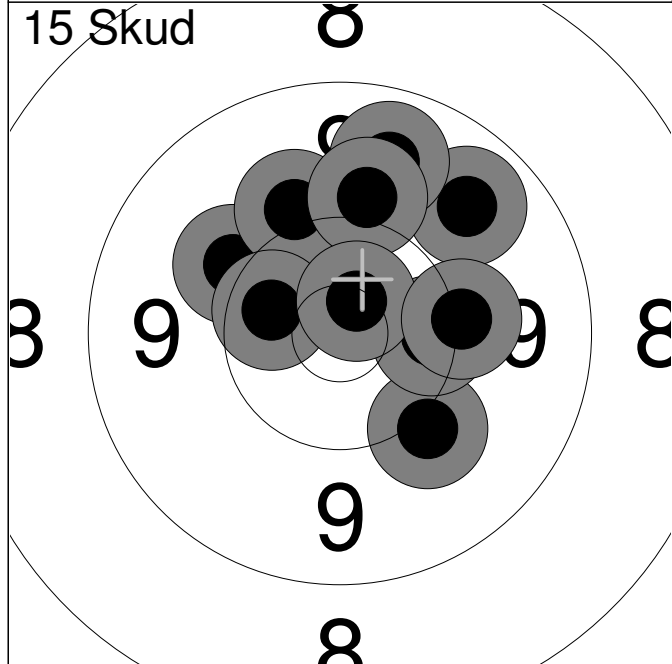


1: *10.6 ↓	6: *10.5 ↙	Serie	99.0
2: 9.5 ↓	7: 10.2 ↗		Total
3: 10.3 ↑	8: 10.2 ↘		
4: *10.8 ↓	9: 10.4 ↗		
5: 10.4 →	10: 10.3 ↓		

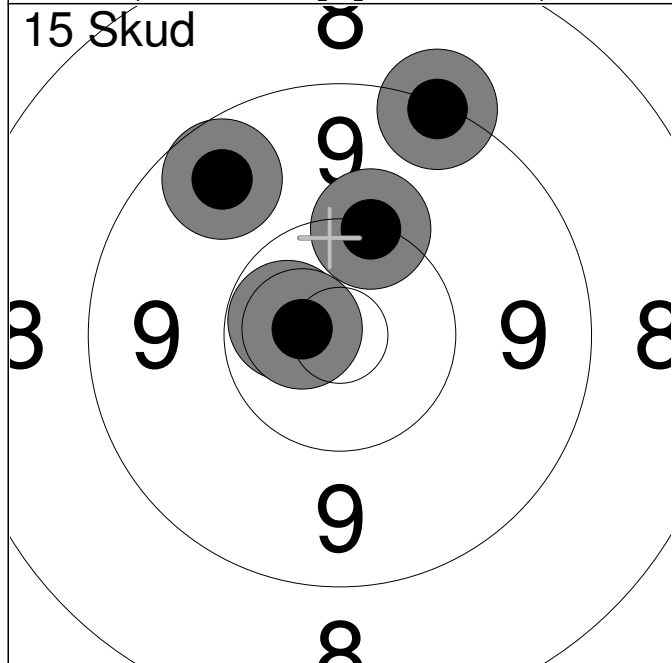
11: 9.7 ↘	Serie	46.0
12: 10.0 ↑		Total
13: 9.8 ↗		
14: 9.5 →		
15: 9.8 ↗		



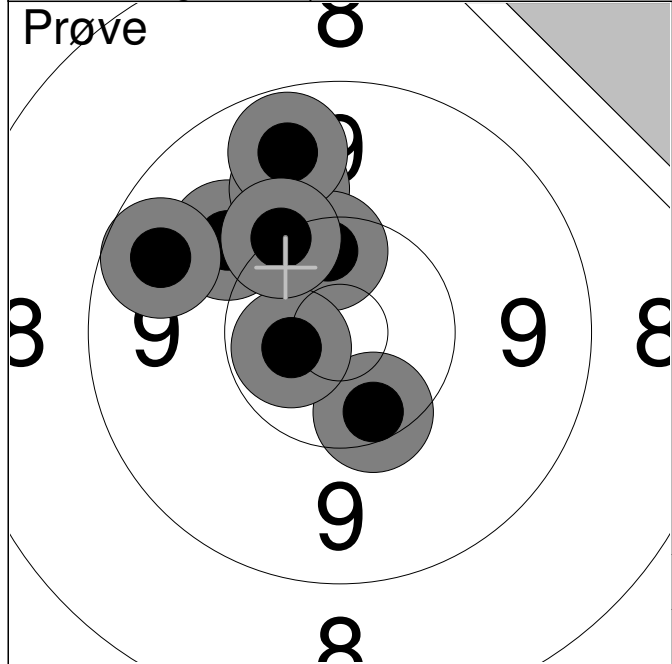
1:	10.3	↙
2:	*10.5	→
3:	*10.6	↗
4:	*10.4	↗
5:	*10.8	↖
Serie		50.0
Total		0.0



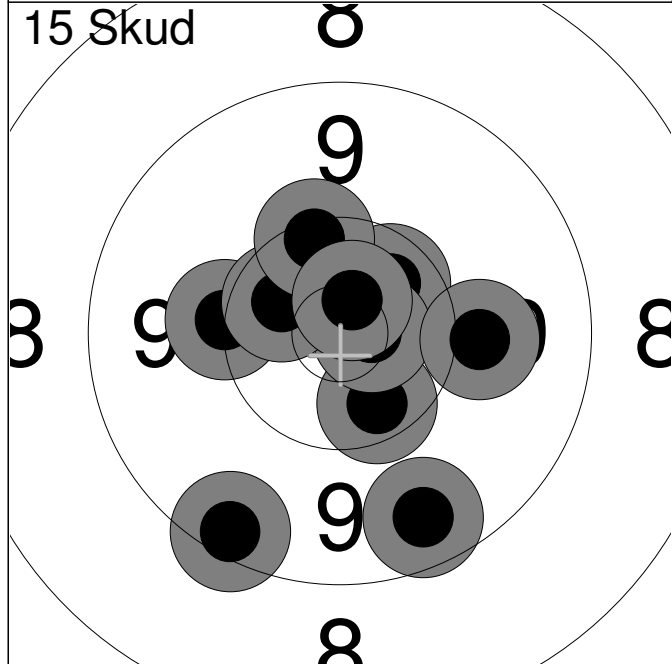
1:	10.1	↖
2:	10.1	↘
3:	10.0	↖
4:	9.7	↗
5:	9.7	↖
6:	*10.5	↖
7:	10.3	→
8:	10.0	↖
9:	*10.7	↖
10:	10.1	→
Serie		98.0
Total		98.0



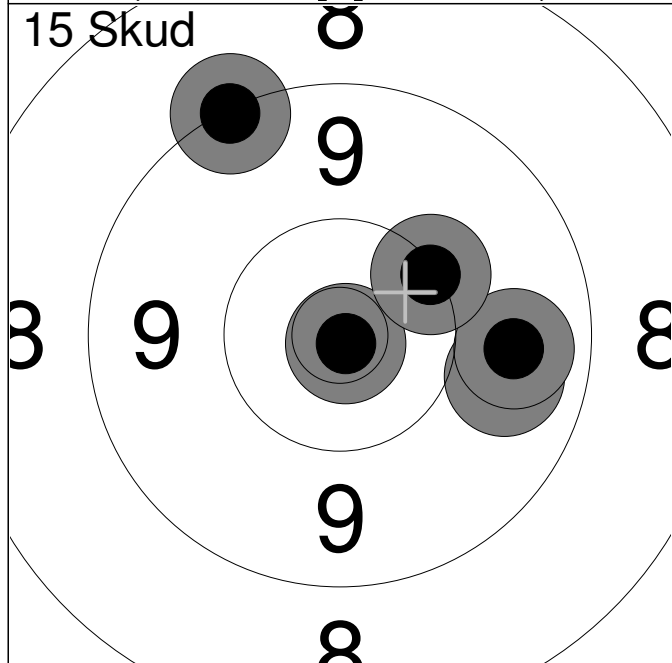
11:	*10.6	↖
12:	9.6	↖
13:	*10.7	↖
14:	10.2	↖
15:	9.2	↖
Serie		48.0
Total		146.0



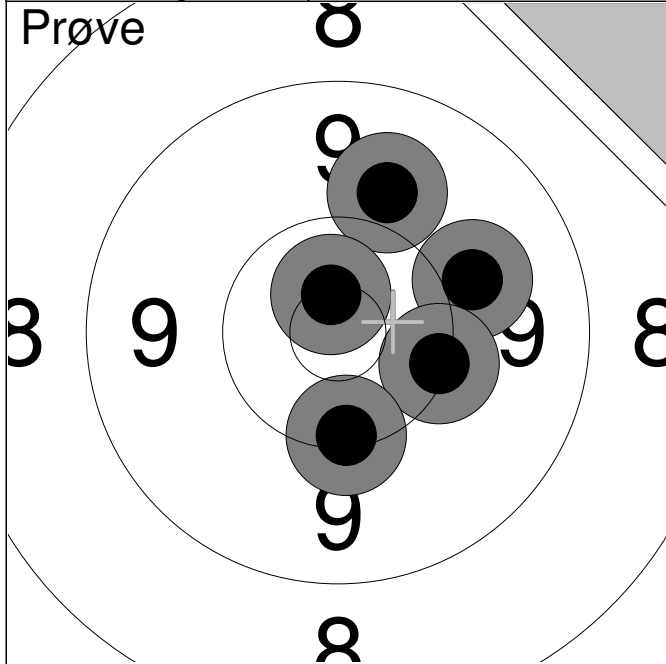
1:	10.0	↗
2:	9.9	↗
3:	10.4	↗
4:	9.6	↗
5:	9.6	↗
6:	10.4	↘
7:	*10.6	↖
8:	10.2	↗
Serie		77.0
Total		0.0



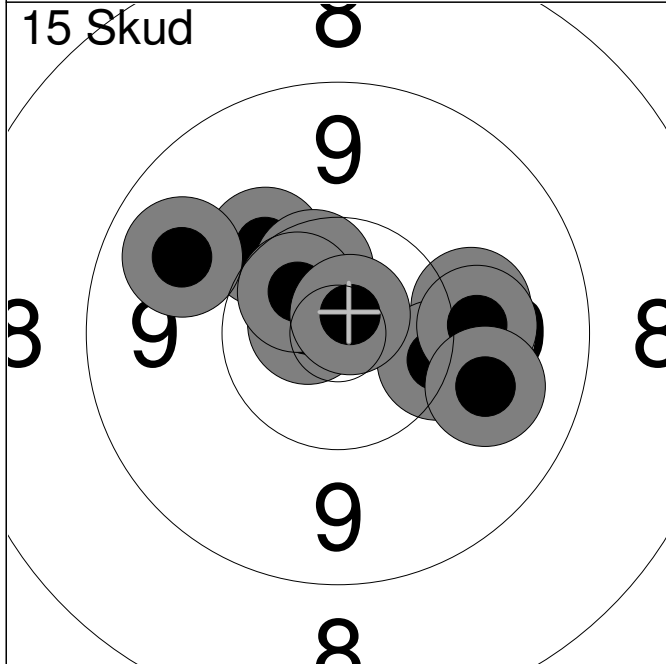
1:	*10.5	↗
2:	10.4	↘
3:	10.2	↖
4:	9.5	↘
5:	*10.7	→
6:	*10.5	↗
7:	10.3	↗
8:	10.0	→
9:	*10.7	↗
10:	9.4	↘
Serie		98.0
Total		98.0



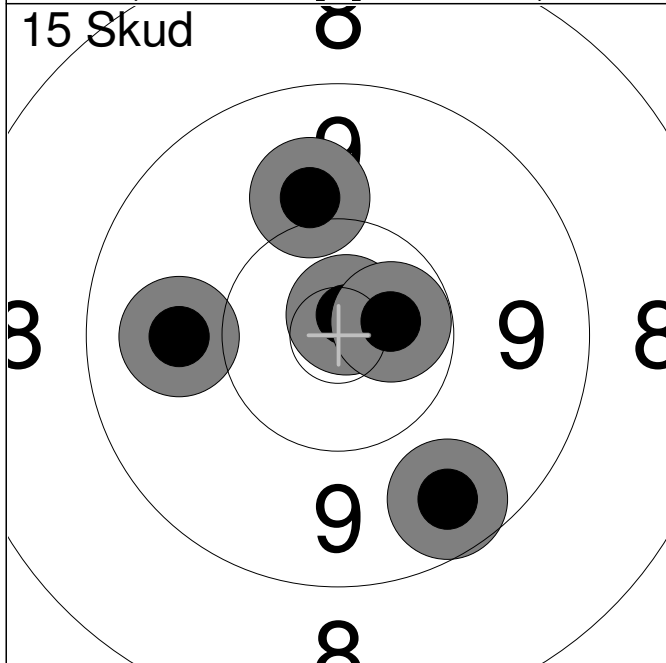
11:	*10.9	↘
12:	9.8	→
13:	9.7	→
14:	10.2	↗
15:	9.2	↗
Serie		47.0
Total		145.0



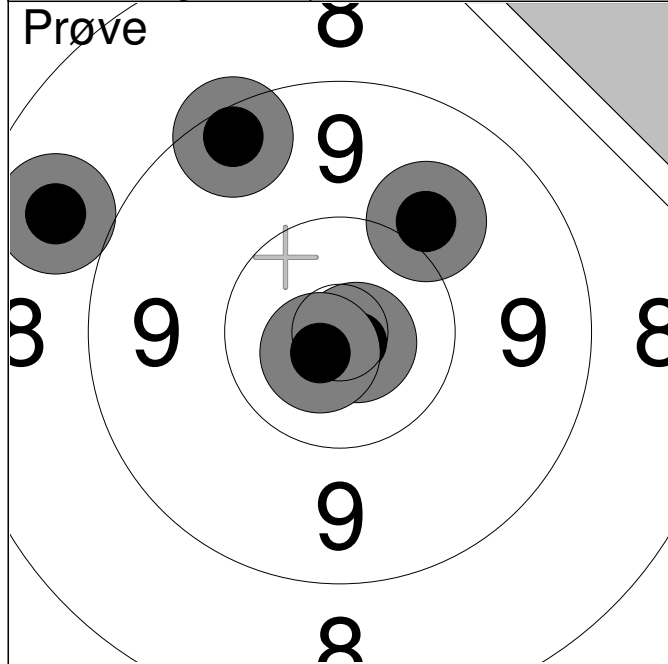
1:	9.9	↗
2:	*10.7	↑
3:	10.0	→
4:	10.2	→
5:	10.2	↓
Serie		49.0
Total		0.0



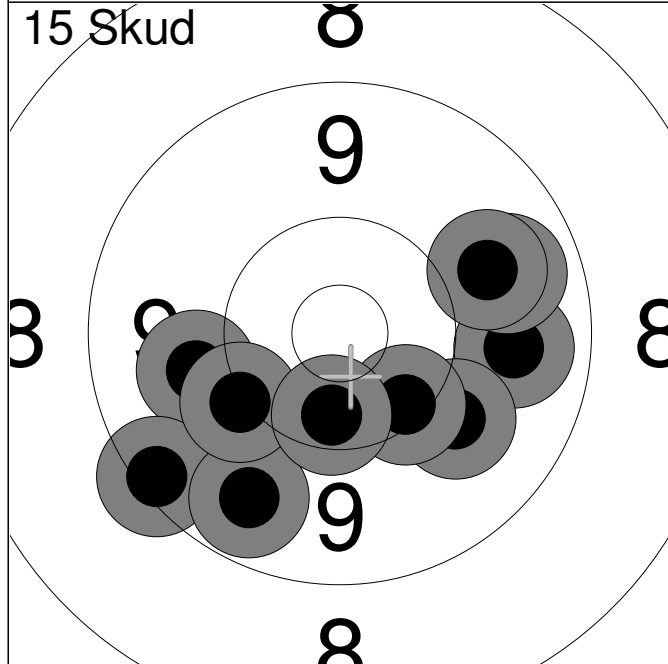
1:	10.2	↗
2:	10.0	→
3:	10.3	→
4:	*10.7	↖
5:	10.0	→
6:	9.9	↘
7:	*10.5	↗
8:	*10.6	↗
9:	*10.8	↗
10:	9.8	↖
Serie		98.0
Total		98.0



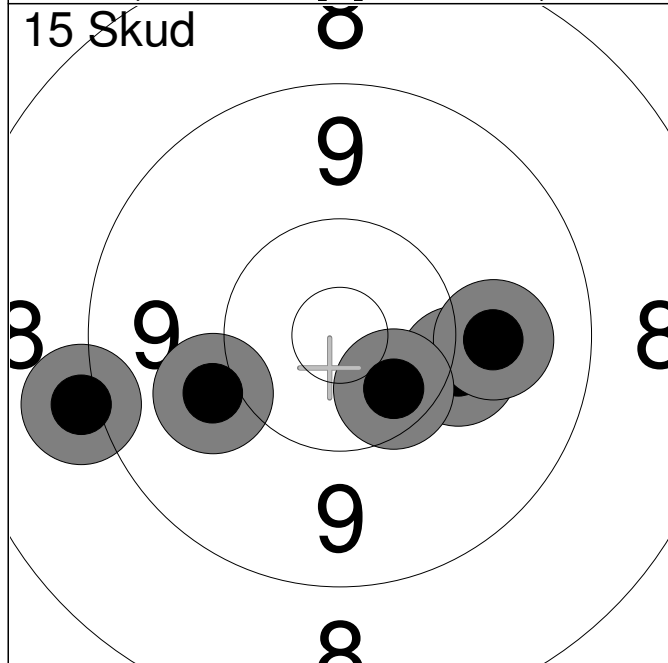
11:	*10.8	↗
12:	9.6	↘
13:	9.9	←
14:	10.0	↑
15:	*10.6	→
Serie		48.0
Total		146.0



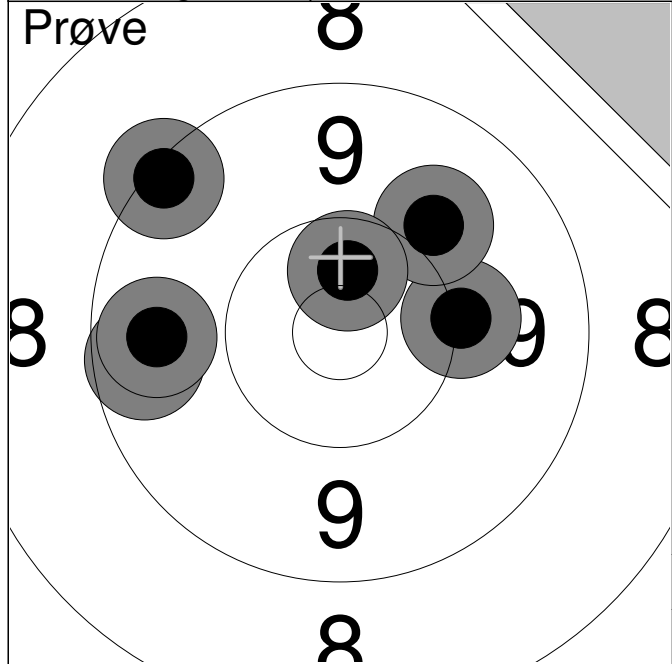
	1:	8.8	↖
	2:	9.4	↗
	3:	10.0	↗
	4:	*10.8	↘
	5:	*10.8	↘
Serie		47.0	
Total		0.0	



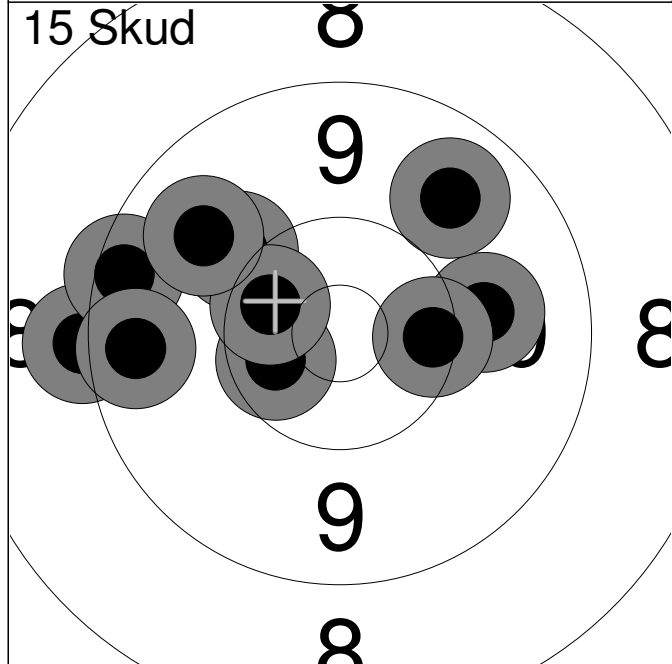
	1:	9.9	←
	2:	9.7	→
	3:	9.7	→
	4:	9.3	↙
	5:	10.0	↘
	6:	10.3	↘
	7:	9.6	↘
	8:	9.8	→
	9:	10.1	↙
	10:	10.4	↓
Serie		94.0	
Total		94.0	



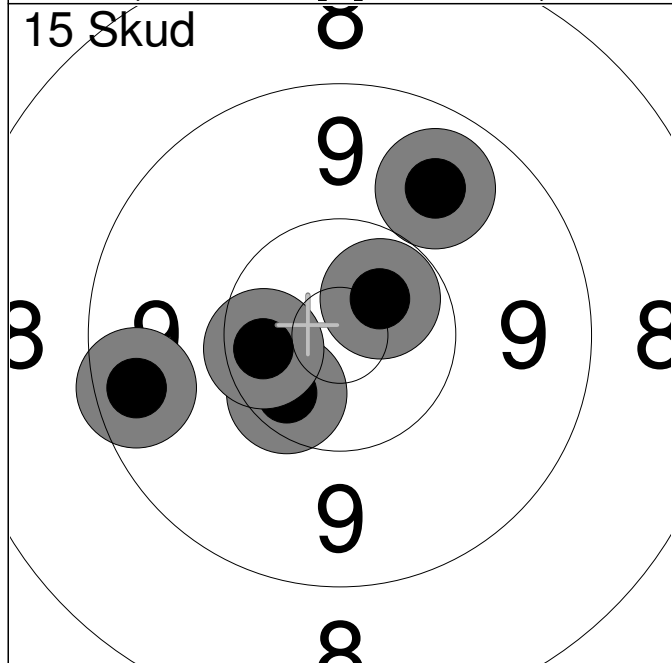
	11:	10.0	←
	12:	9.1	←
	13:	10.1	→
	14:	9.9	→
	15:	*10.4	↘
Serie		48.0	
Total		142.0	



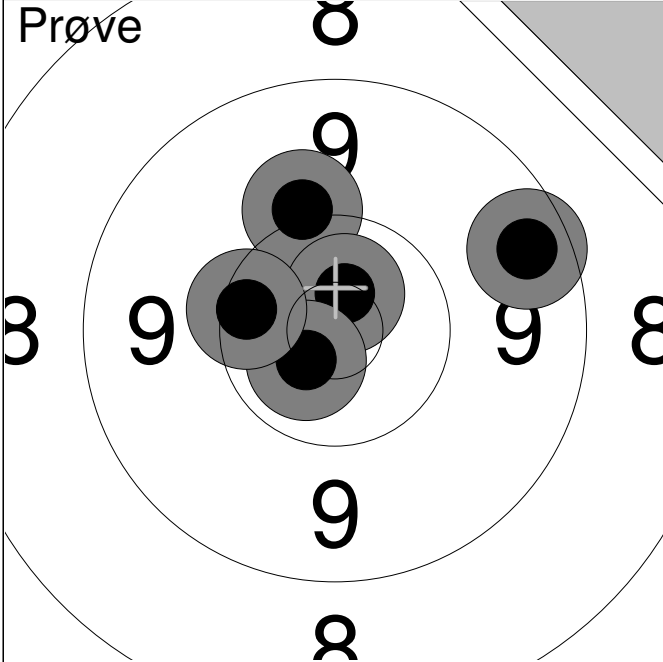
1:	8.0	↗
2:	10.1	→
3:	9.6	←
4:	10.0	↗
5:	9.7	←
6:	*10.5	↑
7:	9.3	↘
Serie		65.0
Total		0.0



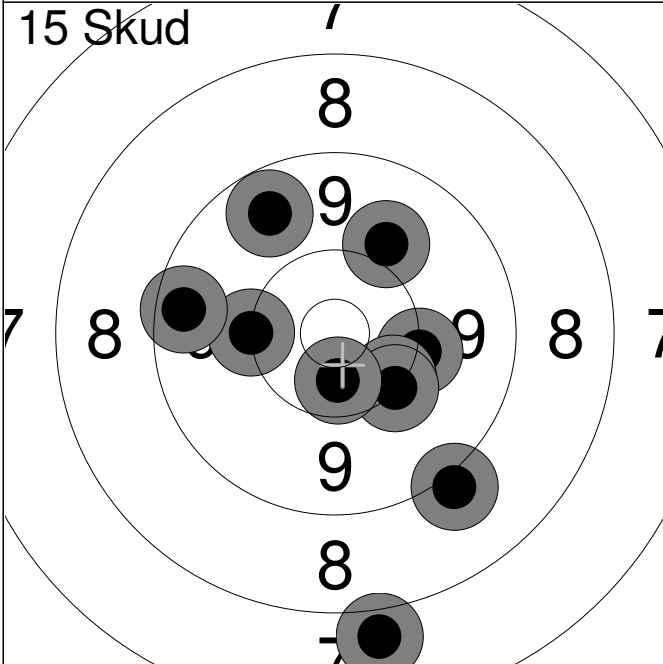
1:	10.1	↗
2:	10.0	→
3:	*10.5	←
4:	*10.4	↖
5:	9.1	←
6:	10.3	→
7:	9.4	←
8:	9.7	↗
9:	9.8	↗
10:	9.5	←
Serie		95.0
Total		95.0



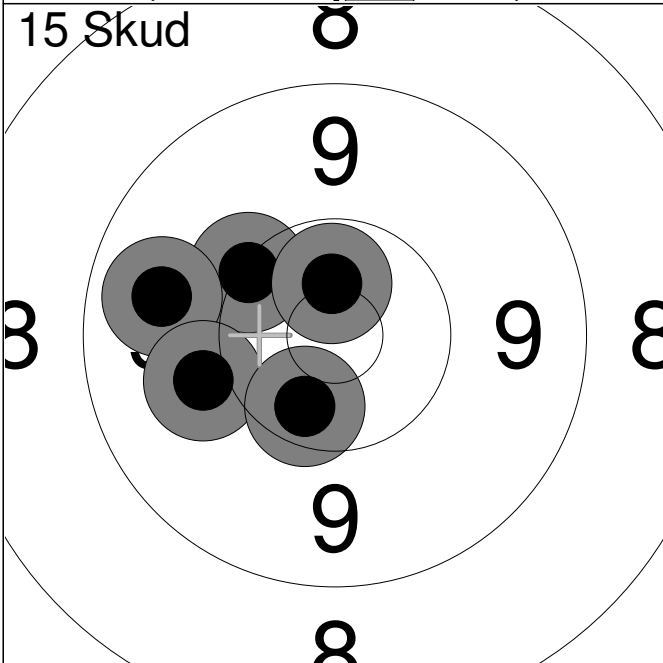
11:	9.5	←
12:	9.7	↗
13:	*10.4	↙
14:	*10.6	↗
15:	*10.4	←
Serie		48.0
Total		143.0



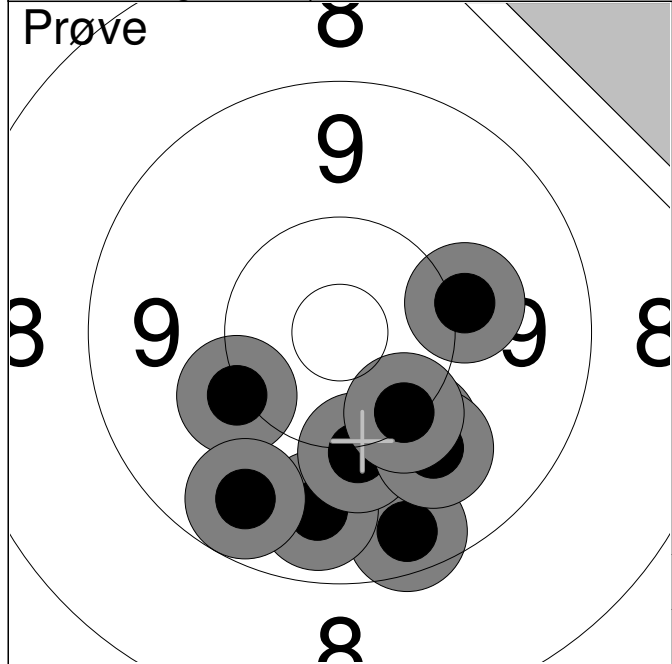
	1:	10.1	↑
	2:	9.5	→
	3:	*10.7	↑
	4:	*10.7	↙
	5:	10.3	←
Serie			49.0
Total			0.0



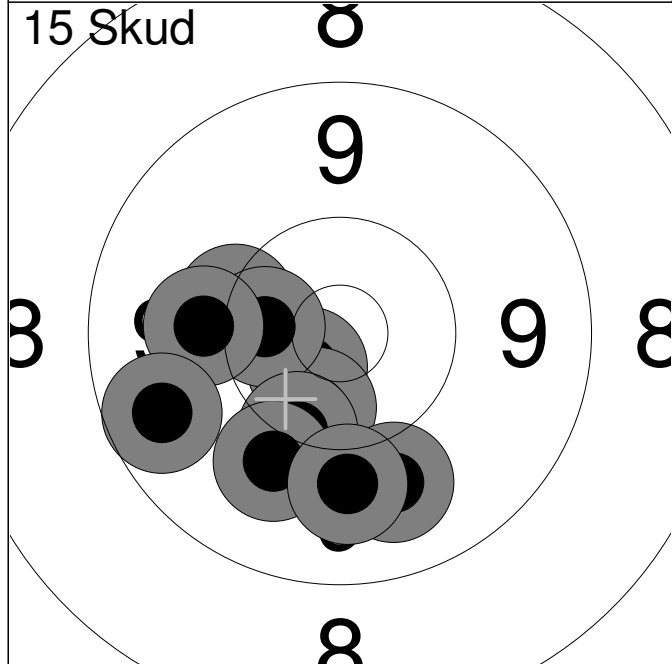
	1:	10.1	→
	2:	10.3	↘
	3:	10.0	↑
	4:	10.2	←
	5:	9.6	↗
	6:	7.9	↘
	7:	9.0	↘
	8:	9.5	←
	9:	10.2	↘
	10:	*10.5	↘
Serie			94.0
Total			94.0



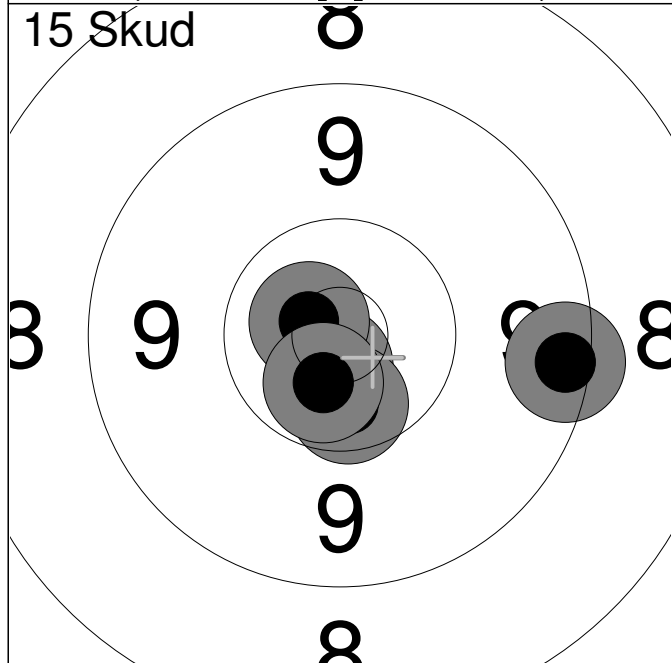
	11:	10.2	↗
	12:	9.7	←
	13:	*10.6	↑
	14:	10.0	←
	15:	*10.4	↘
Serie			49.0
Total			143.0



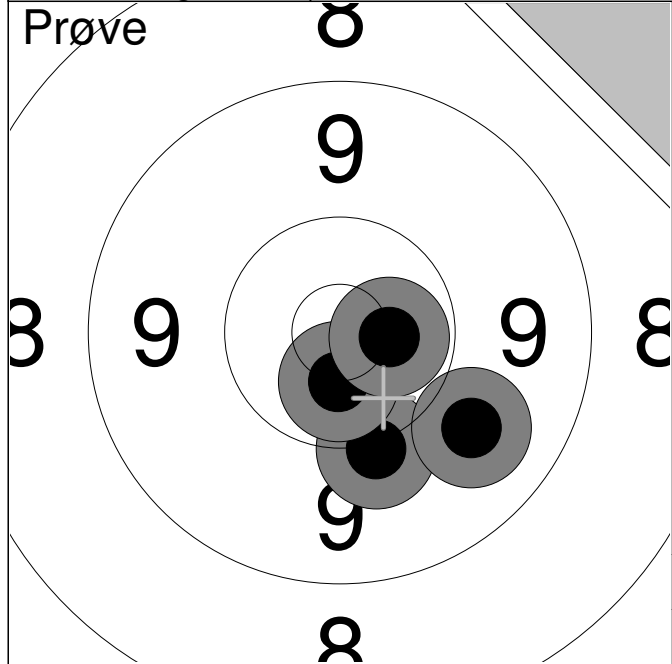
1:	10.1	↘
2:	10.1	↙
3:	9.5	↘
4:	9.7	↘
5:	10.1	↘
6:	9.9	↘
7:	10.1	→
8:	9.6	↙
9:	10.2	↘
Serie		86.0
Total		0.0



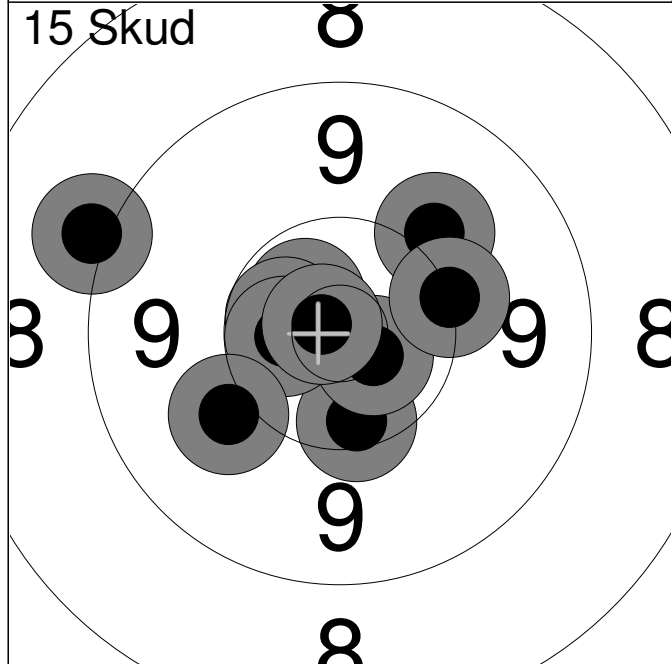
1:	*10.6	↙
2:	*10.4	↘
3:	9.9	↘
4:	10.2	↙
5:	*10.4	↙
6:	10.2	↘
7:	10.0	↘
8:	10.0	↙
9:	9.6	↙
10:	9.9	↘
Serie		97.0
Total		97.0



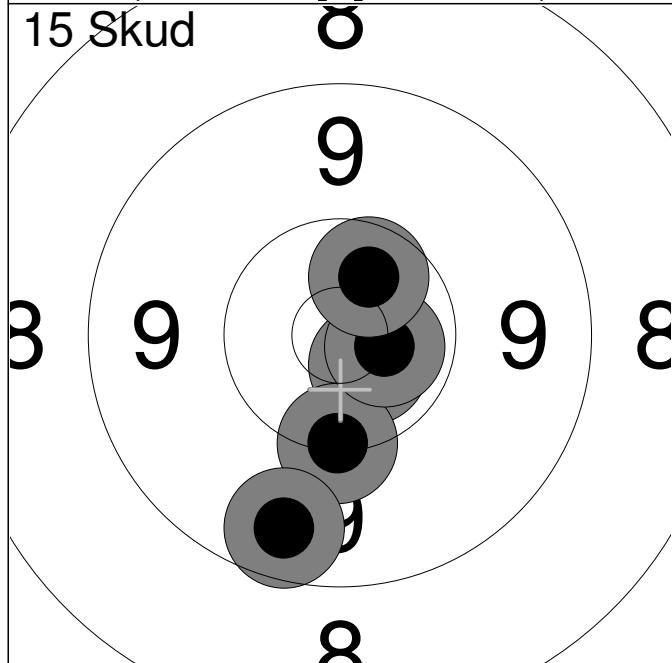
11:	9.4	→
12:	*10.7	↘
13:	*10.7	↙
14:	*10.5	↘
15:	*10.6	↘
Serie		49.0
Total		146.0



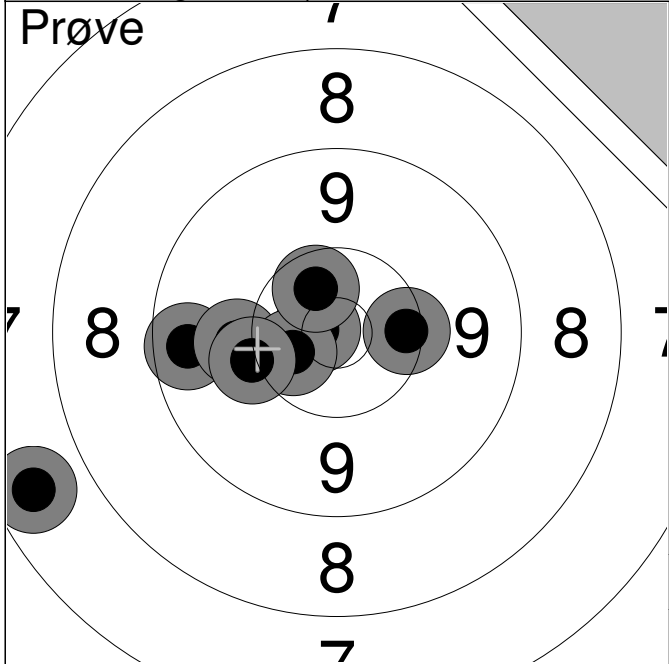
	1:	10.1	↓
	2:	*10.6	↓
	3:	9.8	↓
	4:	*10.6	→
Serie			39.0
Total			0.0



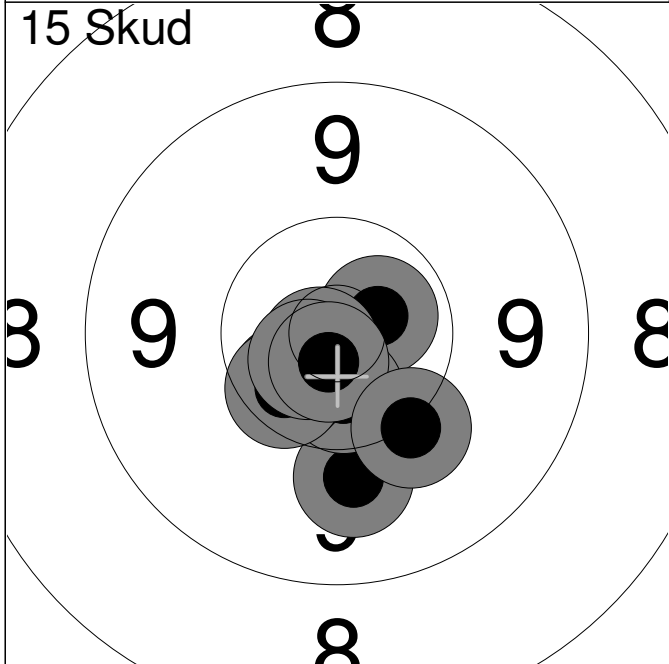
	1:	10.3	↓
	2:	*10.6	↗
	3:	*10.7	↓
	4:	*10.6	↖
	5:	*10.6	←
	6:	10.0	↗
	7:	9.1	↗
	8:	10.0	↙
	9:	10.2	→
	10:	*10.8	↖
Serie			99.0
Total			99.0



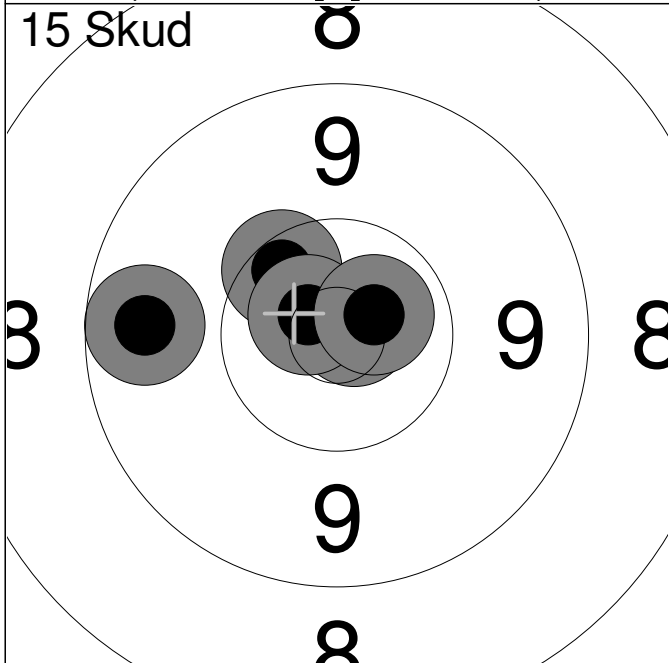
	11:	*10.7	↓
	12:	10.2	↓
	13:	*10.6	→
	14:	9.5	↓
	15:	*10.5	↗
Serie			49.0
Total			148.0



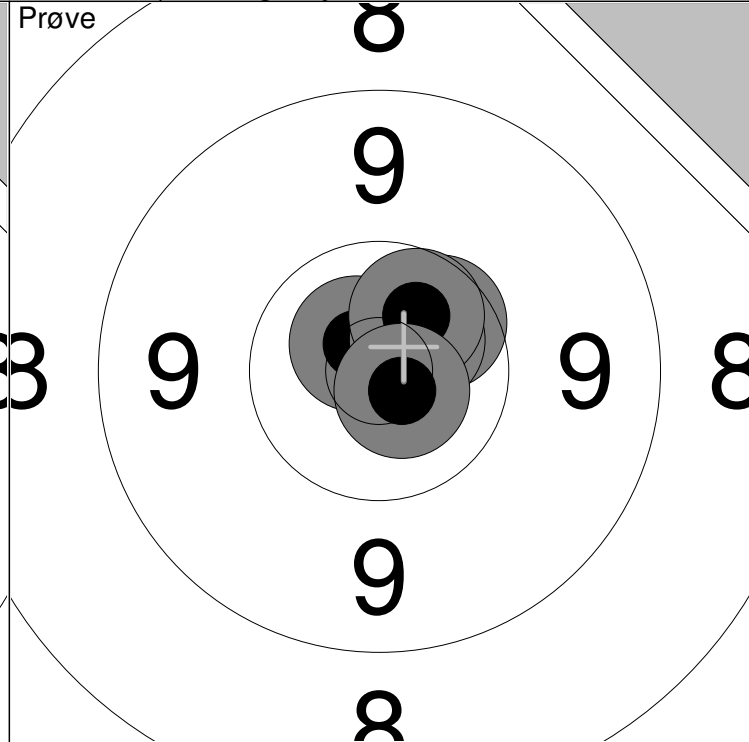
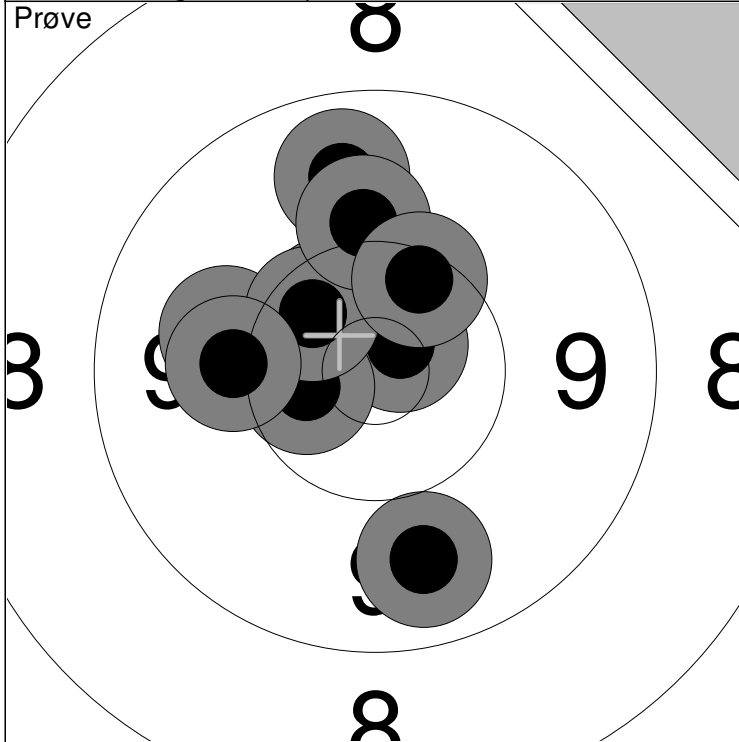
1:	7.6	←
2:	9.5	←
3:	10.0	←
4:	*10.8	←
5:	10.3	→
6:	*10.5	←
7:	10.1	←
8:	*10.5	↑
Serie		76.0
Total		0.0



1:	*10.7	↙
2:	10.0	↓
3:	*10.6	→
4:	*10.8	←
5:	*10.5	↓
6:	*10.5	←
7:	*10.4	↙
8:	*10.7	↙
9:	*10.7	↓
10:	10.1	↓
Serie		100.0
Total		100.0

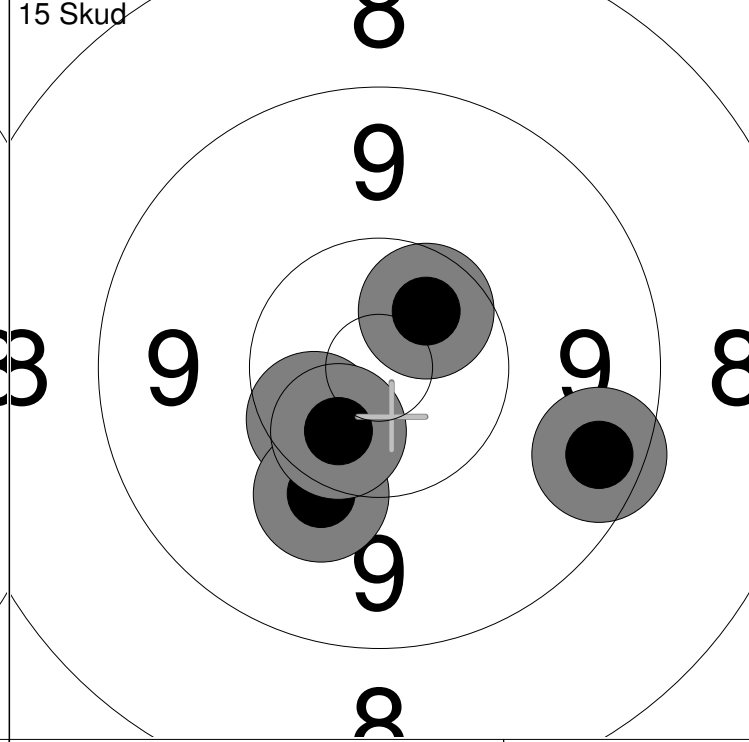
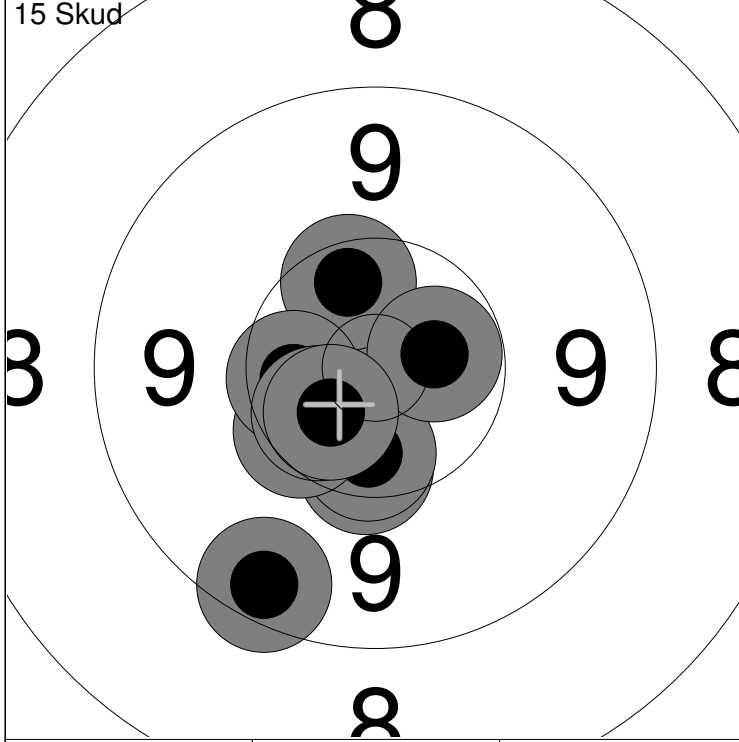


11:	*10.8	↗
12:	9.6	←
13:	10.4	↗
14:	*10.7	↗
15:	*10.7	↗
Serie		49.0
Total		149.0



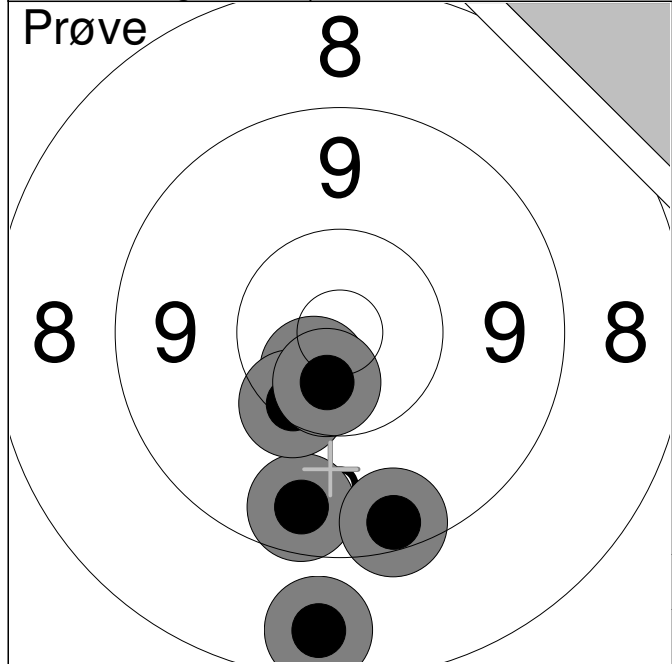
1: 9.7 ↓	6: *10.5 ←	Serie	98.0
2: *10.5 ↗	7: *10.4 ↗		
3: *10.7 ↗	8: 10.1 ←	Total	0.0
4: 10.0 ←	9: 10.0 ↑		
5: 9.7 ↑	10: 10.3 ↗		

11: *10.5 ↗	Serie	50.0
12: *10.7 ↖		
13: *10.7 ↗	Total	0.0
14: *10.5 ↗		
15: *10.8 ↘		

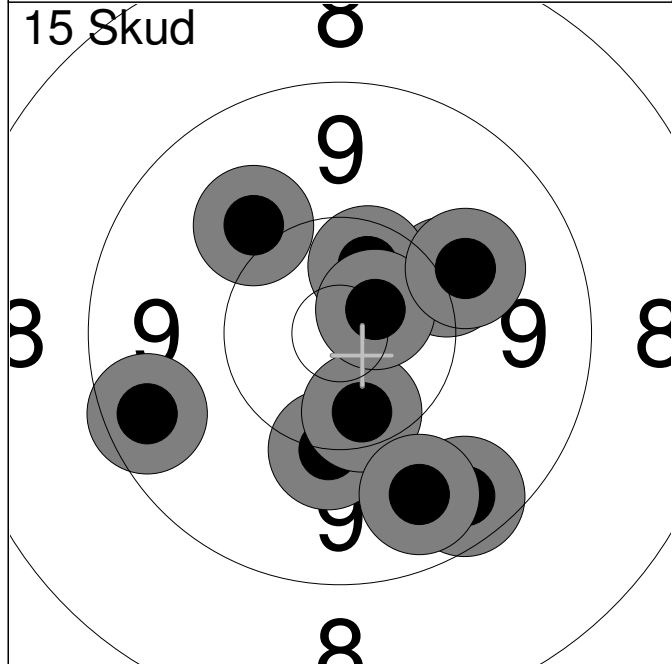


1: *10.6 ←	6: 10.4 ↙	Serie	99.0
2: 10.3 ↓	7: *10.6 →		
3: *10.4 ↓	8: *10.4 ←	Total	99.0
4: 10.4 ↑	9: *10.5 ↙		
5: 9.4 ↘	10: *10.6 ↙		

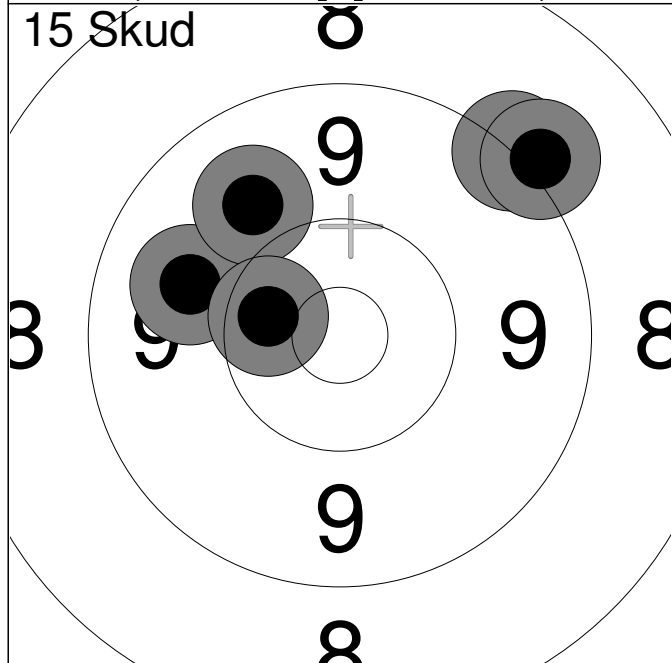
11: *10.4 ↙	Serie	49.0
12: 9.5 →		
13: *10.5 ↗	Total	148.0
14: 10.1 ↘		
15: *10.5 ↙		



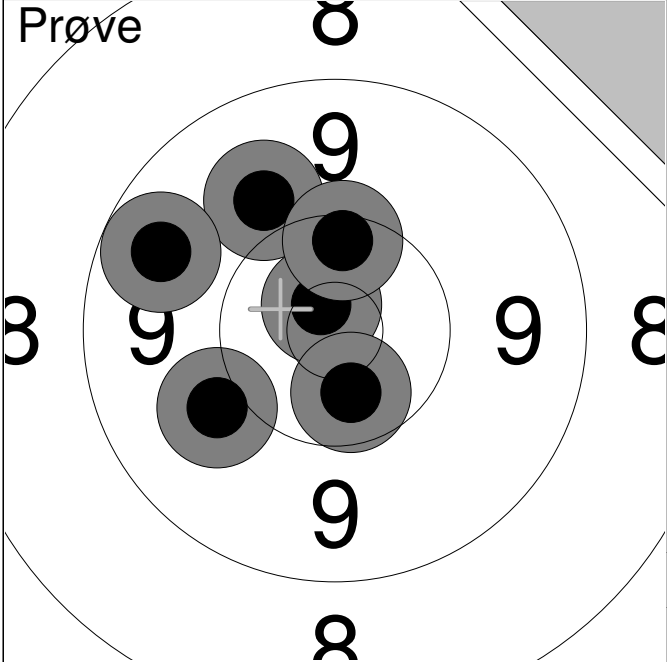
1:	9.6	↓
2:	8.6	↓
3:	9.4	↓
4:	*10.6	↙
5:	10.3	↙
6:	*10.6	↓
Serie		56.0
Total		0.0



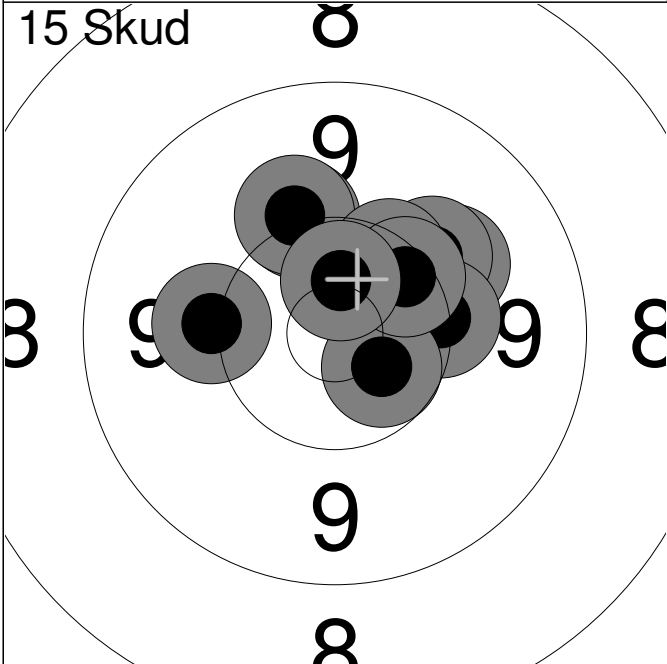
1:	10.1	↗
2:	*10.5	↑
3:	10.1	↓
4:	10.4	↓
5:	*10.7	↗
6:	10.0	↗
7:	9.5	↓
8:	10.0	↗
9:	9.5	↖
10:	9.7	↓
Serie		97.0
Total		97.0



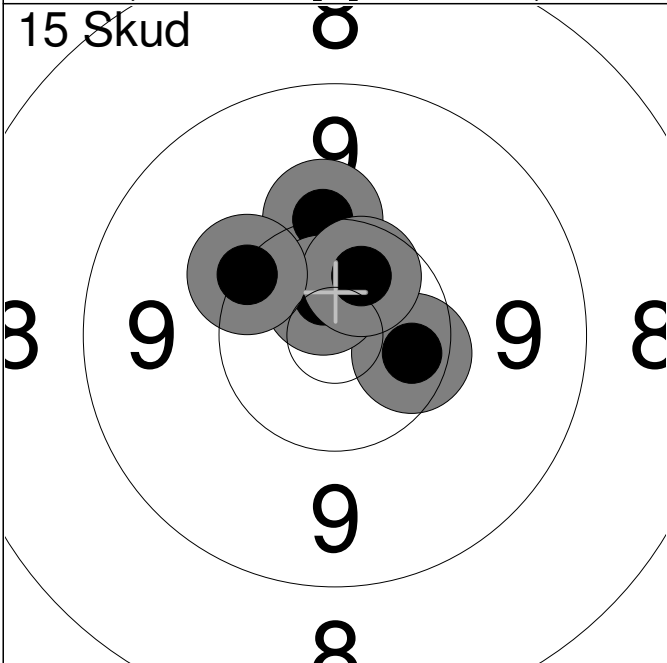
11:	9.9	↖
12:	9.9	↗
13:	9.2	↗
14:	*10.4	↖
15:	9.1	↗
Serie		46.0
Total		143.0



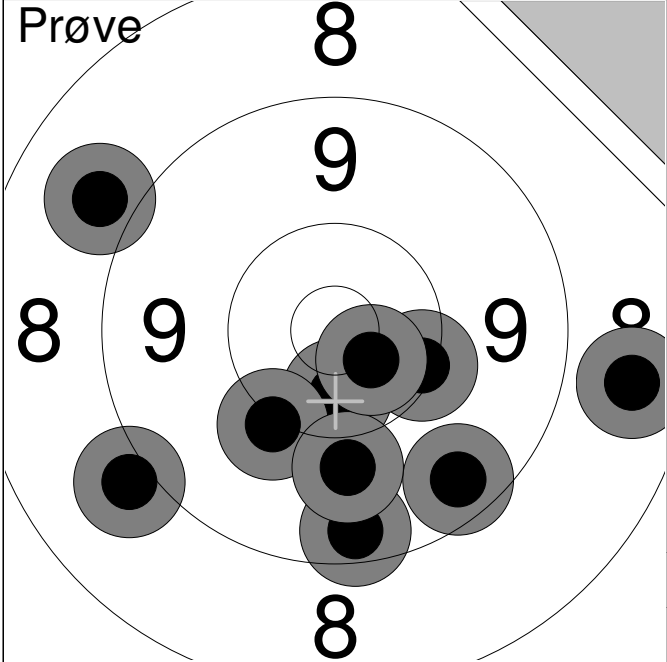
1:	*10.8	↗
2:	9.9	↗
3:	9.6	↖
4:	10.0	↖
5:	*10.5	↓
6:	10.3	↑
Serie		58.0
Total		0.0



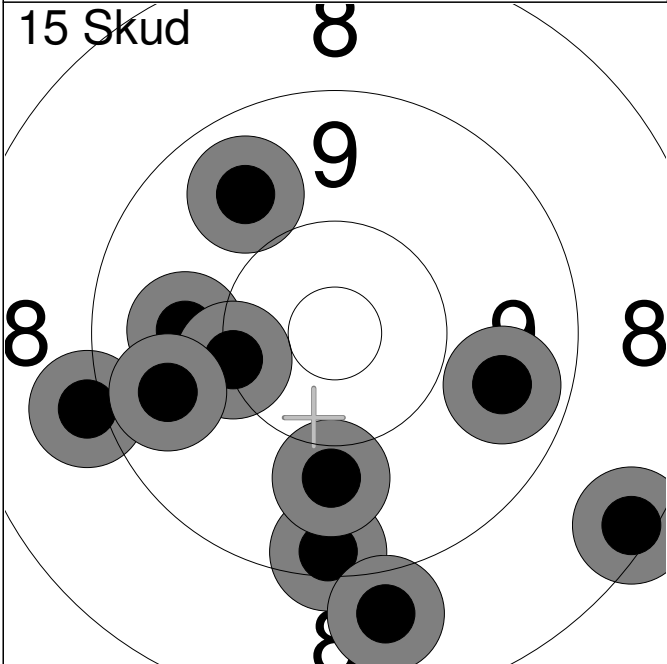
1:	10.0	↗
2:	10.1	↗
3:	10.1	↑
4:	10.2	→
5:	10.1	↑
6:	10.3	↗
7:	*10.6	↓
8:	10.3	↗
9:	*10.6	↑
10:	10.1	←
Serie		100.0
Total		100.0



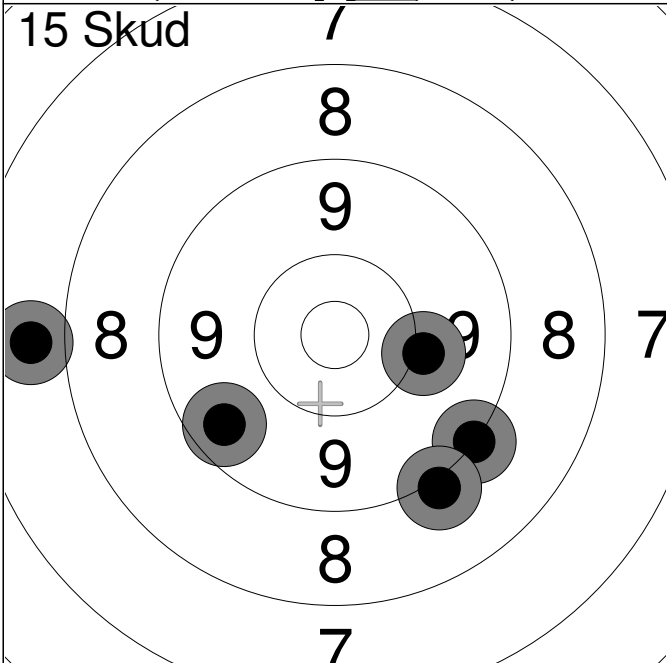
11:	10.2	↑
12:	10.4	→
13:	*10.7	↑
14:	*10.5	↗
15:	10.2	↖
Serie		50.0
Total		150.0



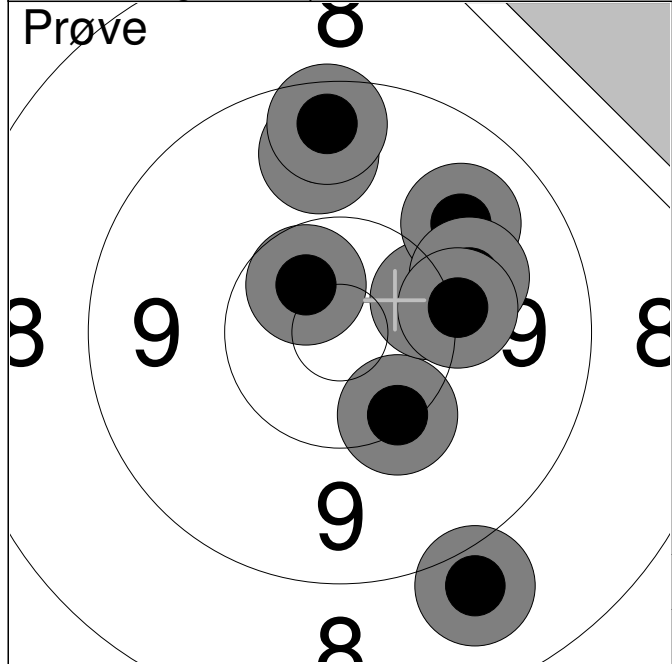
1:	*10.5	↓
2:	9.0	↙
3:	9.4	↓
4:	10.3	↘
5:	9.5	↘
6:	8.6	→
7:	10.1	↙
8:	9.9	↓
9:	*10.6	↘
10:	8.9	↗
Serie		92.0
Total		0.0



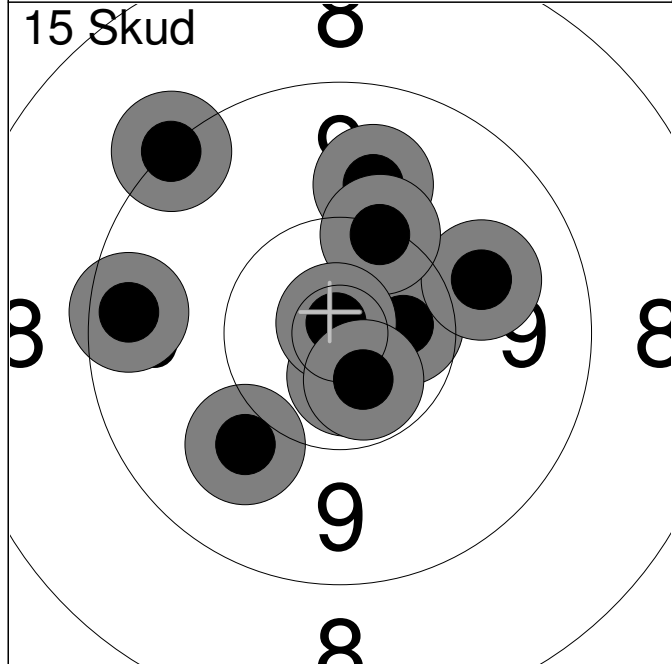
1:	9.8	↗
2:	9.4	↓
3:	9.1	↙
4:	9.9	↙
5:	10.2	↙
6:	8.9	↓
7:	9.7	↙
8:	9.9	↓
9:	9.7	↘
10:	8.3	↘
Serie		89.0
Total		89.0



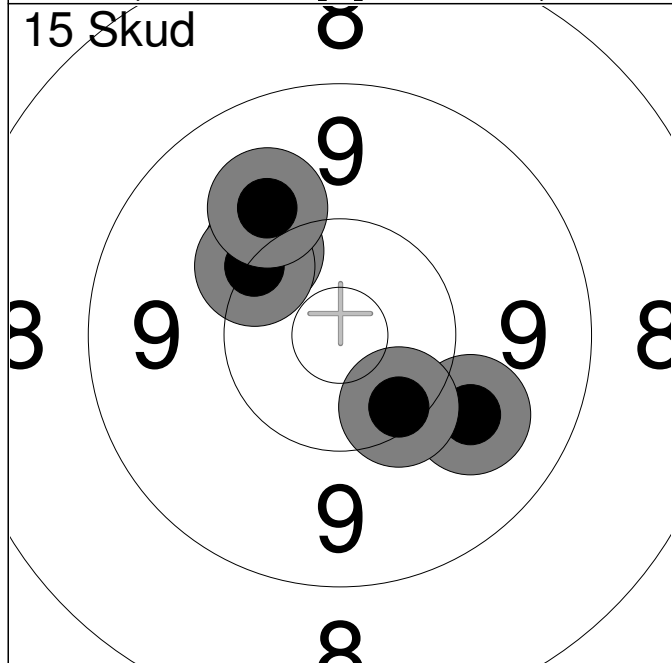
11:	10.1	→
12:	9.2	↓
13:	7.8	↙
14:	9.1	↘
15:	9.5	↙
Serie		44.0
Total		133.0



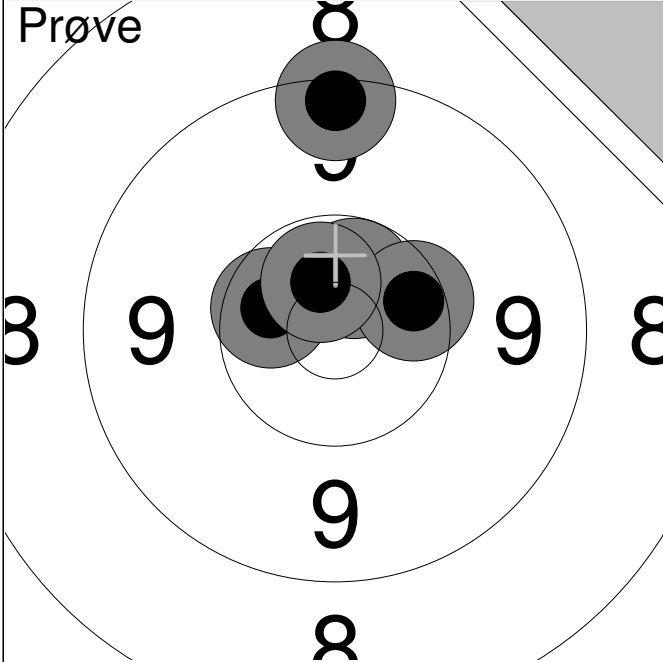
1:	10.3	↓
2:	9.7	↑
3:	10.3	→
4:	9.8	↗
5:	9.5	↑
6:	10.0	→
7:	10.1	→
8:	8.9	↓
9:	*10.6	↗
Serie		85.0
Total		0.0



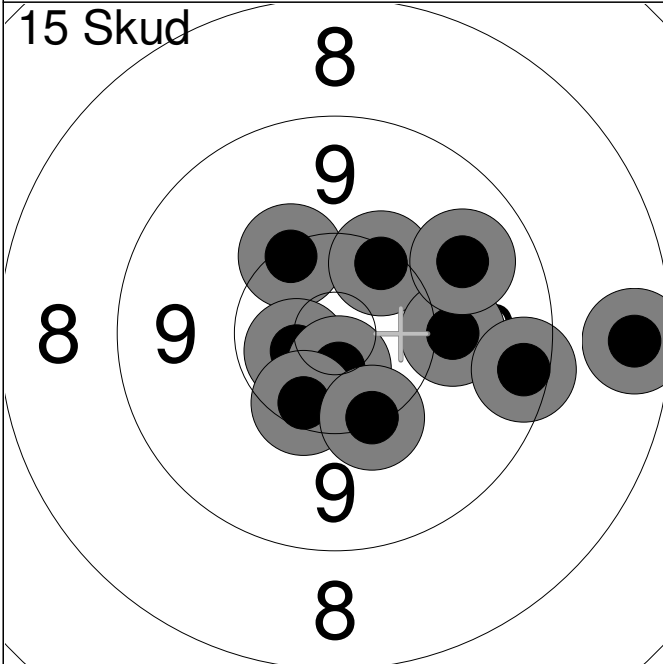
1:	9.9	↑
2:	*10.5	→
3:	9.9	→
4:	10.2	↑
5:	*10.7	↓
6:	9.5	←
7:	9.2	↗
8:	10.0	↙
9:	*10.9	↑
10:	*10.6	↓
Serie		96.0
Total		96.0



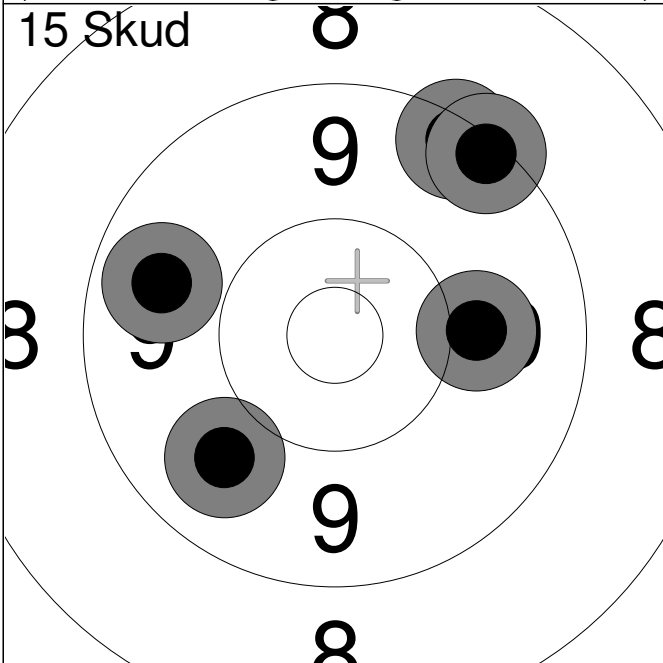
11:	10.2	↗
12:	10.2	↗
13:	9.9	↓
14:	10.0	↗
15:	10.3	↓
Serie		49.0
Total		145.0



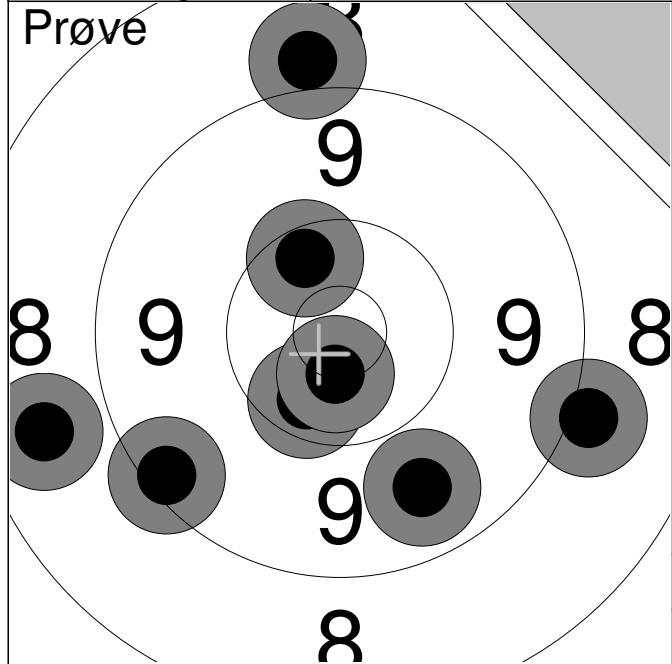
	1:	9.3	↑
	2:	*10.6	↗
	3:	10.4	→
	4:	*10.5	↖
	5:	*10.6	↑
Serie			49.0
Total			0.0



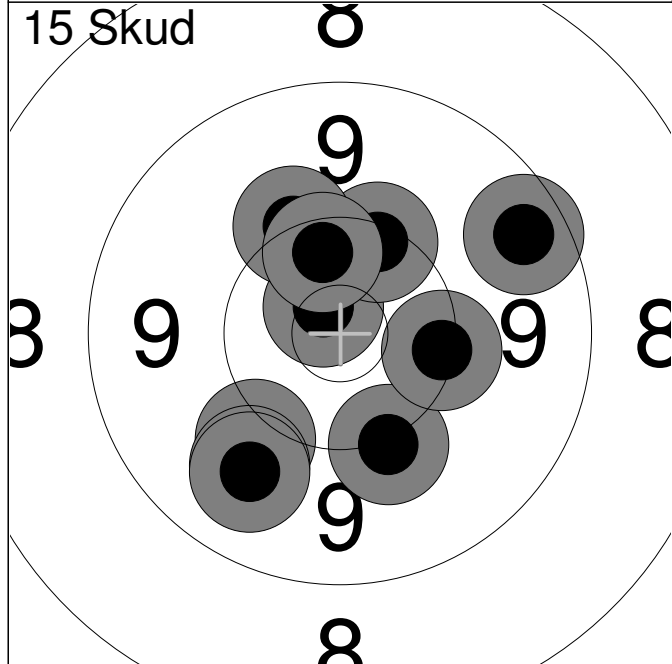
	1:	10.3	↖
	2:	10.3	↗
	3:	*10.6	↖
	4:	*10.7	↓
	5:	10.4	↙
	6:	10.0	→
	7:	8.5	→
	8:	9.4	→
	9:	10.2	↘
	10:	9.8	↗
Serie			96.0
Total			96.0



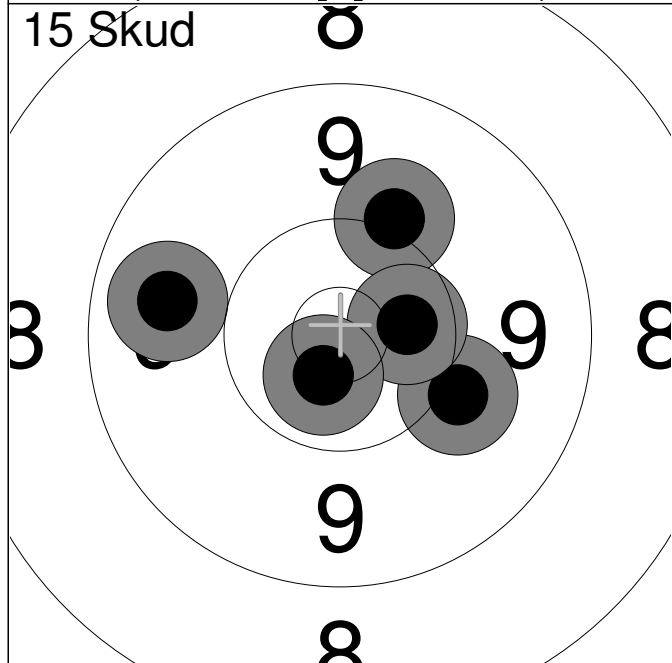
	11:	9.7	↖
	12:	9.3	↗
	13:	10.0	→
	14:	9.8	↙
	15:	9.3	↗
Serie			46.0
Total			142.0



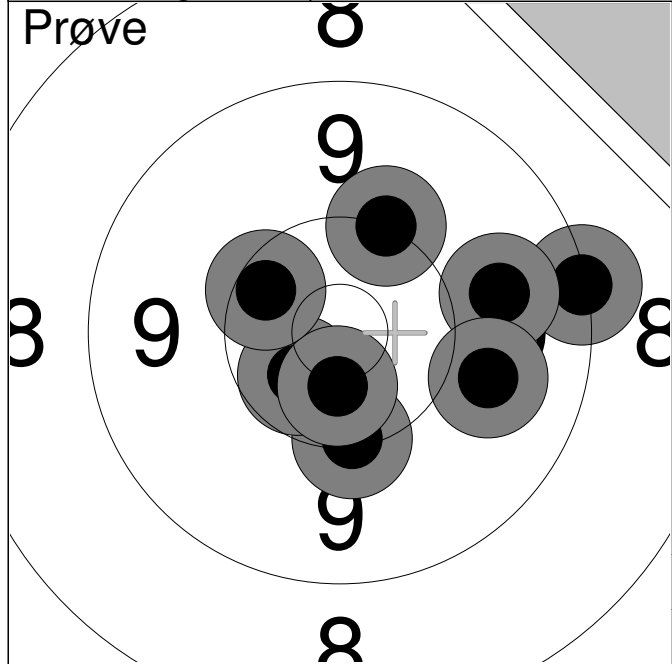
1:	9.0	↑
2:	8.7	←
3:	*10.4	↙
4:	9.0	→
5:	9.3	↖
6:	9.7	↘
7:	10.4	↗
8:	*10.7	↘
Serie		74.0
Total		0.0



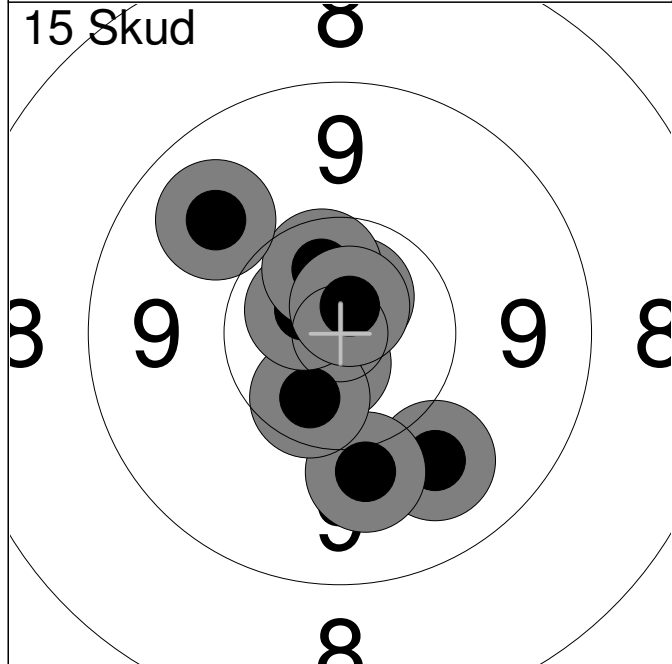
1:	10.1	↘
2:	*10.7	↗
3:	10.3	↗
4:	10.1	↗
5:	10.0	↖
6:	9.9	↖
7:	9.8	↖
8:	9.5	↗
9:	10.2	→
10:	10.4	↑
Serie		97.0
Total		97.0



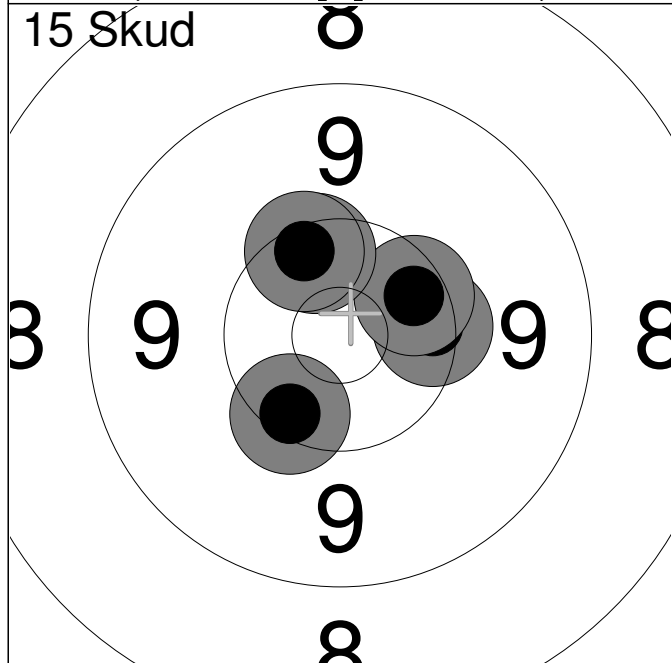
11:	10.0	↘
12:	10.1	↗
13:	*10.5	→
14:	9.7	←
15:	*10.7	↘
Serie		49.0
Total		146.0



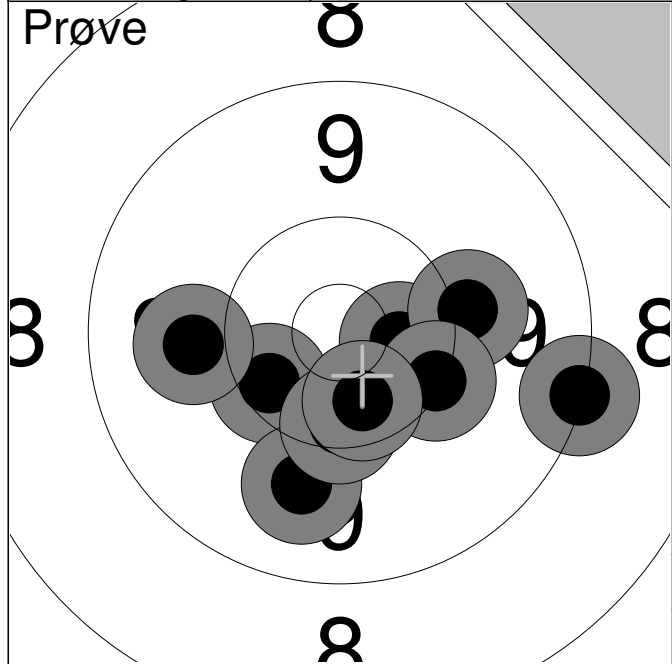
1:	9.2	→
2:	10.2	↗
3:	9.8	→
4:	9.9	→
5:	10.2	↓
6:	*10.5	↙
7:	*10.6	↓
8:	10.4	↗
Serie		77.0
Total		0.0



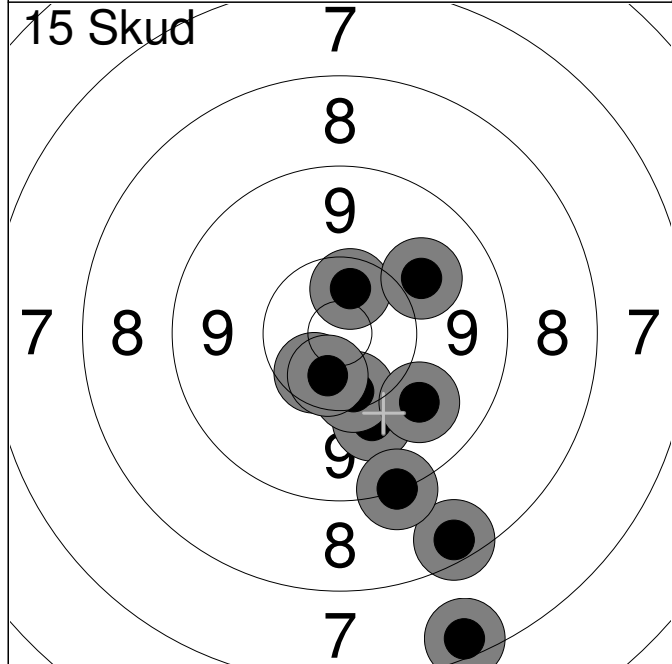
1:	9.9	↓
2:	*10.8	↗
3:	10.0	↓
4:	*10.7	↓
5:	*10.5	↙
6:	*10.7	↗
7:	*10.7	↗
8:	*10.5	↗
9:	*10.8	↗
10:	9.8	↗
Serie		98.0
Total		98.0



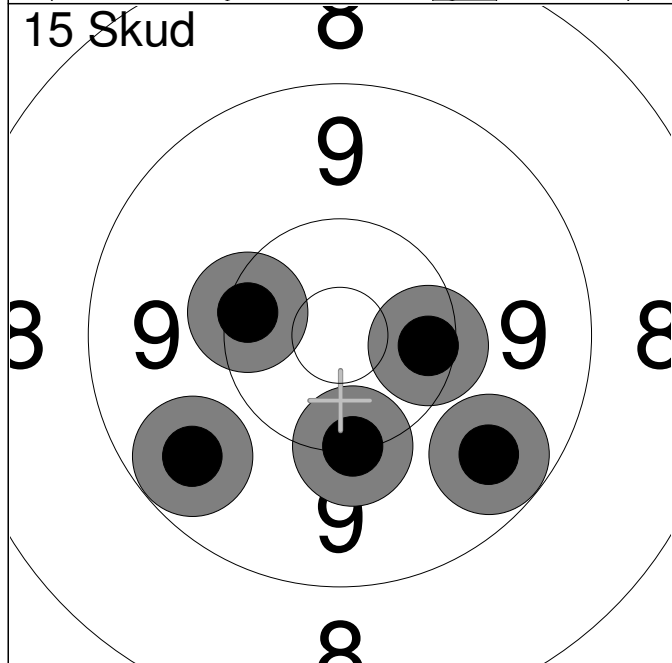
11:	10.3	↙
12:	10.3	→
13:	10.4	↗
14:	10.4	↗
15:	10.3	↗
Serie		50.0
Total		148.0



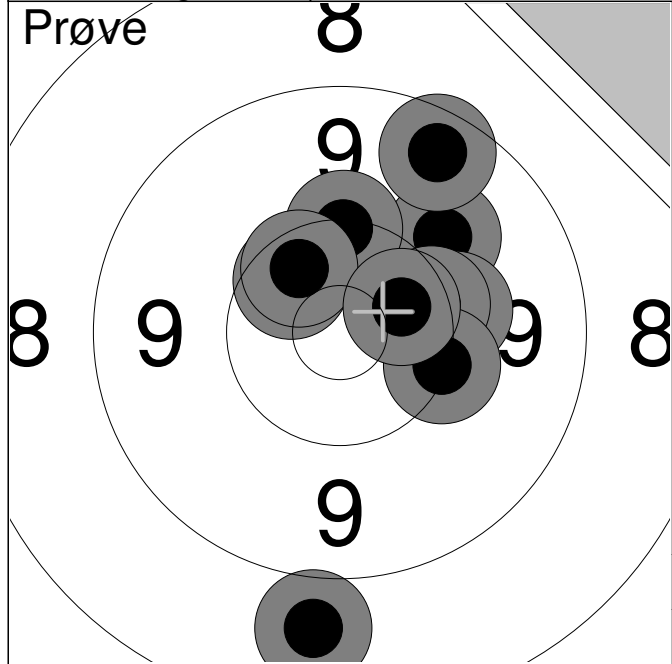
1:	*10.5	→
2:	10.1	→
3:	9.2	→
4:	10.2	→
5:	10.4	↙
6:	9.9	↓
7:	9.9	←
8:	10.3	↓
9:	*10.5	↓
Serie		87.0
Total		0.0



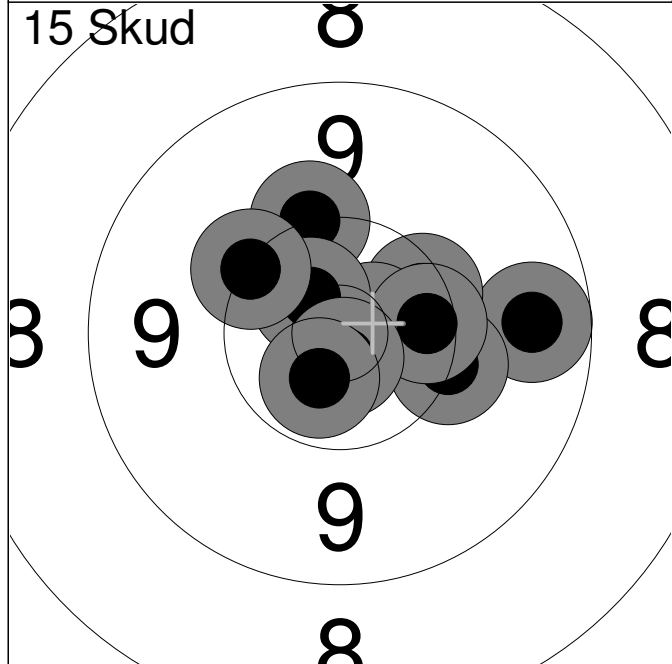
1:	*10.5	↑
2:	9.9	↗
3:	10.0	↓
4:	10.3	↓
5:	*10.5	↙
6:	*10.5	↓
7:	8.4	↓
8:	9.2	↓
9:	7.4	↓
10:	9.9	↓
Serie		92.0
Total		92.0



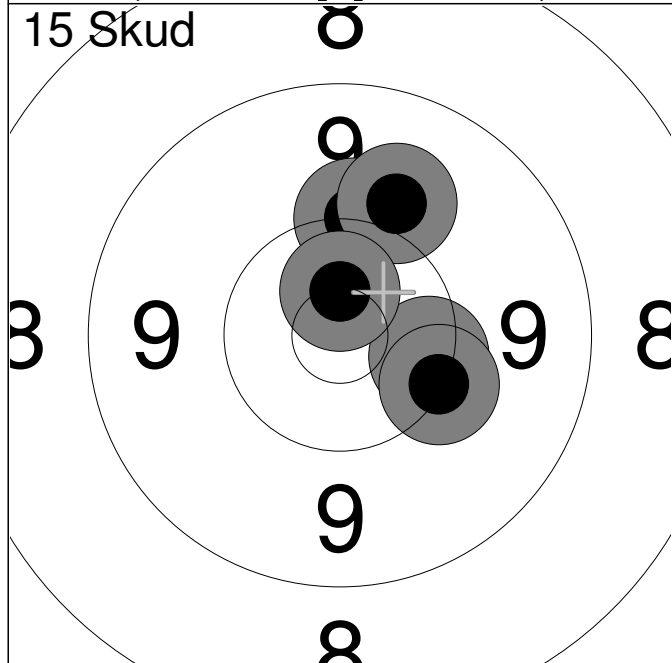
11:	9.6	↓
12:	10.3	→
13:	10.2	↓
14:	10.3	←
15:	9.6	↙
Serie		48.0
Total		140.0



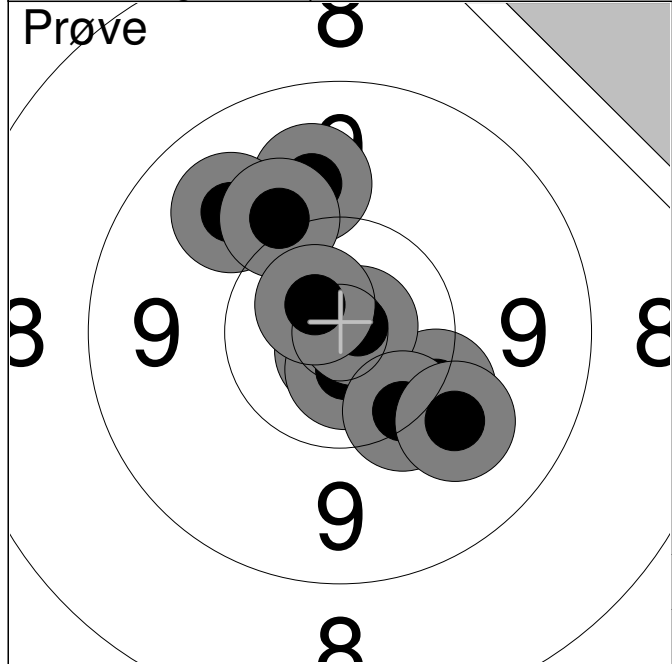
1:	10.0	↗
2:	8.8	↓
3:	*10.5	↗
4:	10.1	→
5:	10.2	↑
6:	10.3	→
7:	*10.4	↗
8:	10.2	→
9:	9.5	↗
10:	*10.5	→
Serie		97.0
Total		0.0



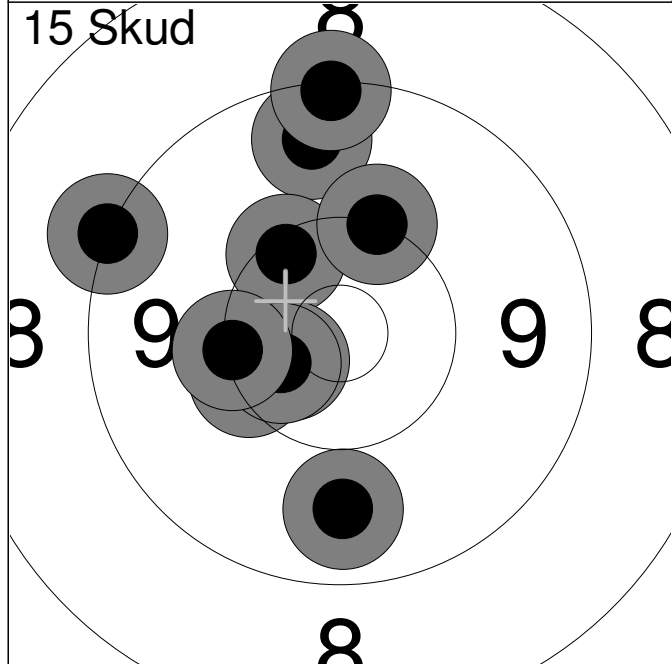
1:	10.2	↑
2:	9.6	→
3:	10.3	↗
4:	*10.7	→
5:	10.2	→
6:	10.4	→
7:	*10.6	↗
8:	*10.8	↓
9:	*10.6	↙
10:	10.2	↗
Serie		99.0
Total		99.0



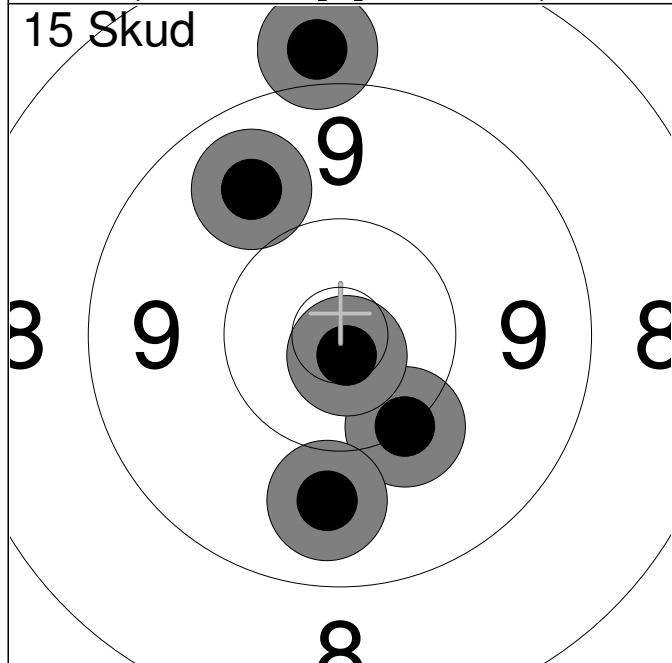
11:	10.1	↑
12:	10.3	→
13:	10.0	↗
14:	10.2	→
15:	*10.6	↑
Serie		50.0
Total		149.0



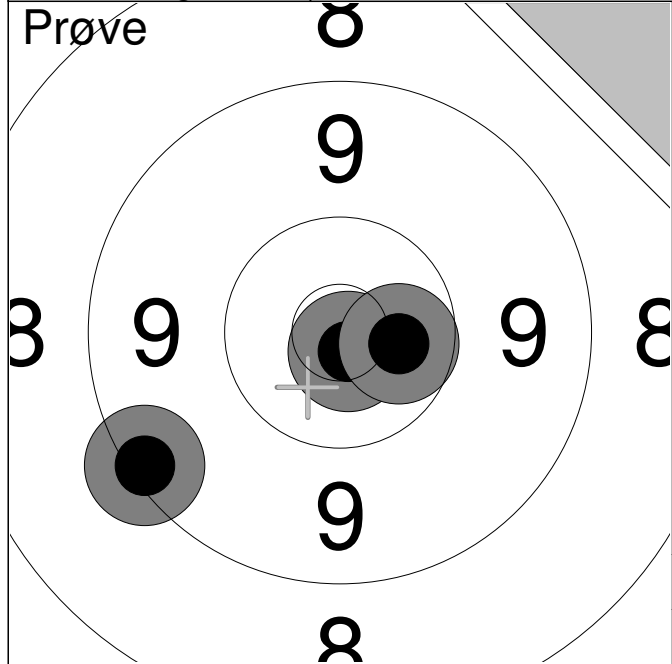
1:	9.9	↑
2:	10.2	↓
3:	*10.8	↓
4:	9.8	↑
5:	*10.7	↓
6:	10.1	↑
7:	*10.8	→
8:	10.3	↓
9:	10.0	↓
10:	*10.7	↑
Serie		98.0
Total		0.0



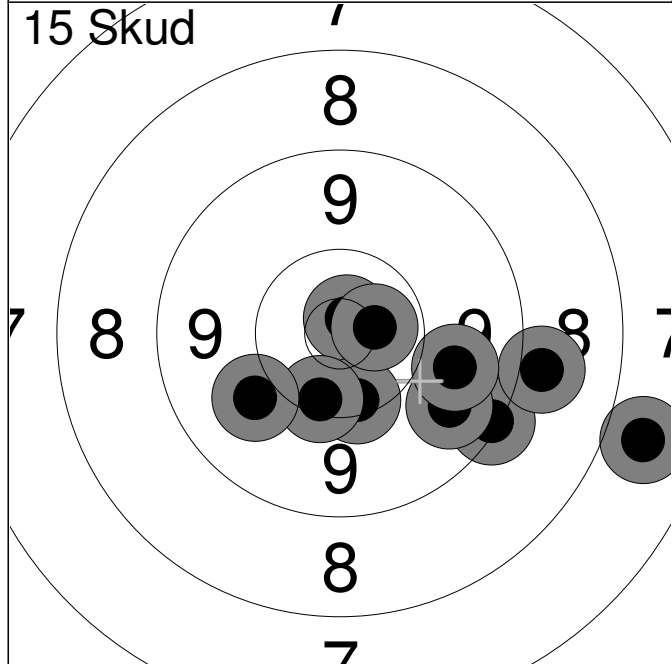
1:	9.6	↑
2:	10.3	←
3:	10.3	↑
4:	*10.6	←
5:	*10.5	←
6:	9.2	↑
7:	9.2	↑
8:	10.2	←
9:	9.7	↓
10:	10.2	↑
Serie		96.0
Total		96.0



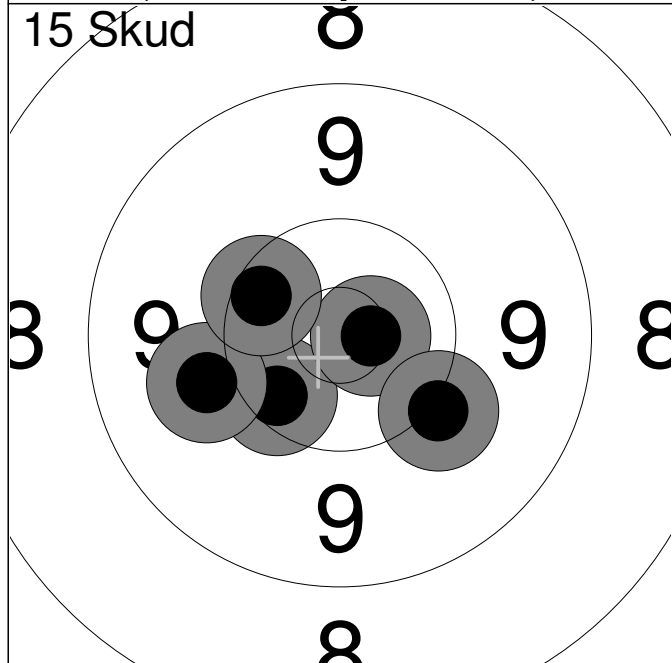
11:	9.8	↑
12:	10.2	↓
13:	8.9	↑
14:	*10.8	↓
15:	9.8	↓
Serie		46.0
Total		142.0



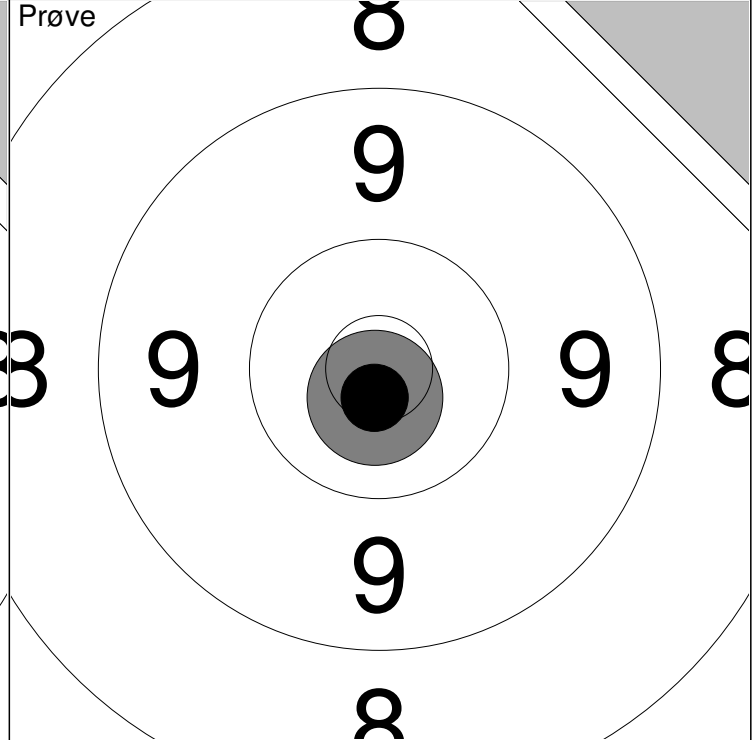
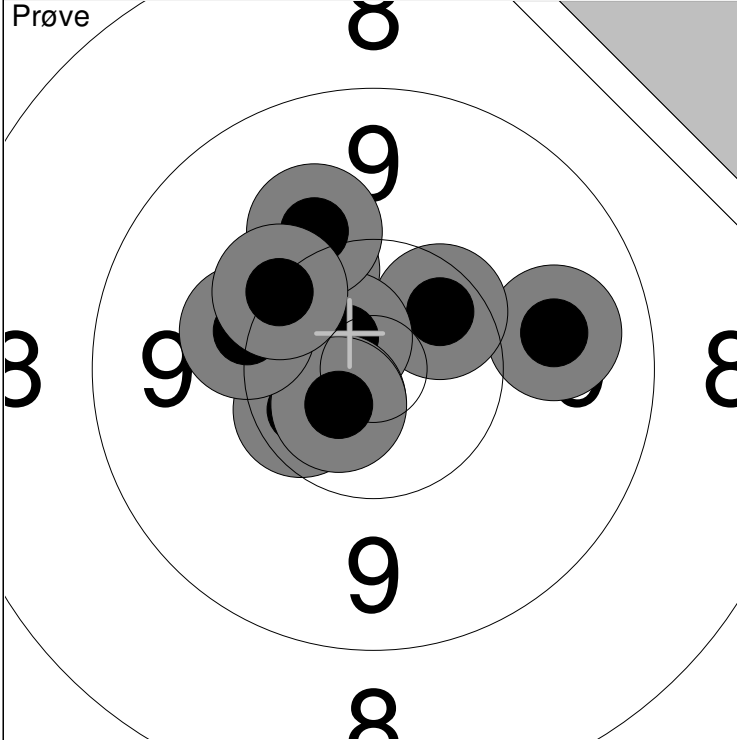
	1:	9.3	↙
	2:	*10.8	↘
	3:	*10.5	→
<hr/>			
Serie			29.0
Total			0.0



	1:	*10.8	↗
	2:	9.3	↘
	3:	10.3	↘
	4:	*10.6	→
	5:	10.3	↘
	6:	7.8	↘
	7:	9.0	→
	8:	9.7	↘
	9:	9.8	→
	10:	10.0	↙
<hr/>			
Serie			93.0
Total			93.0

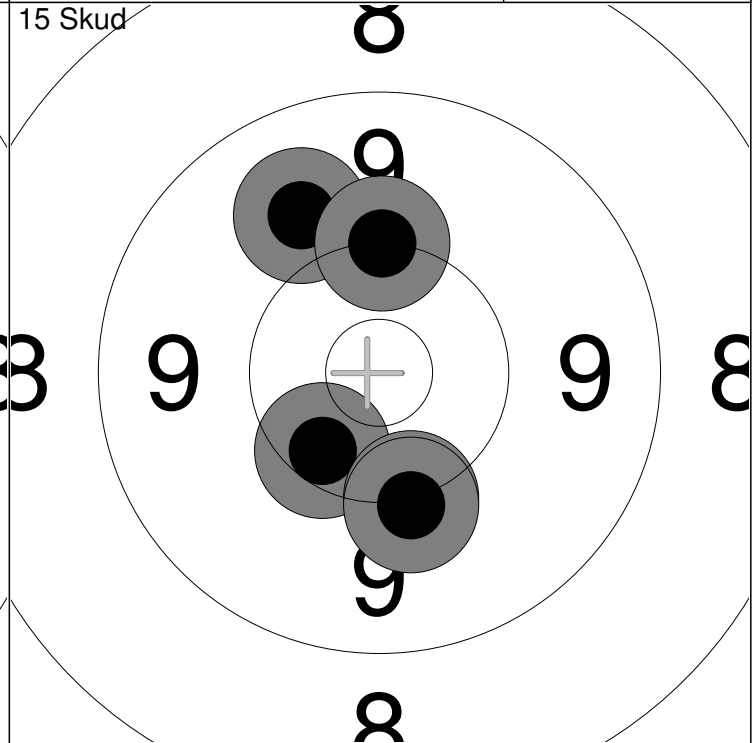
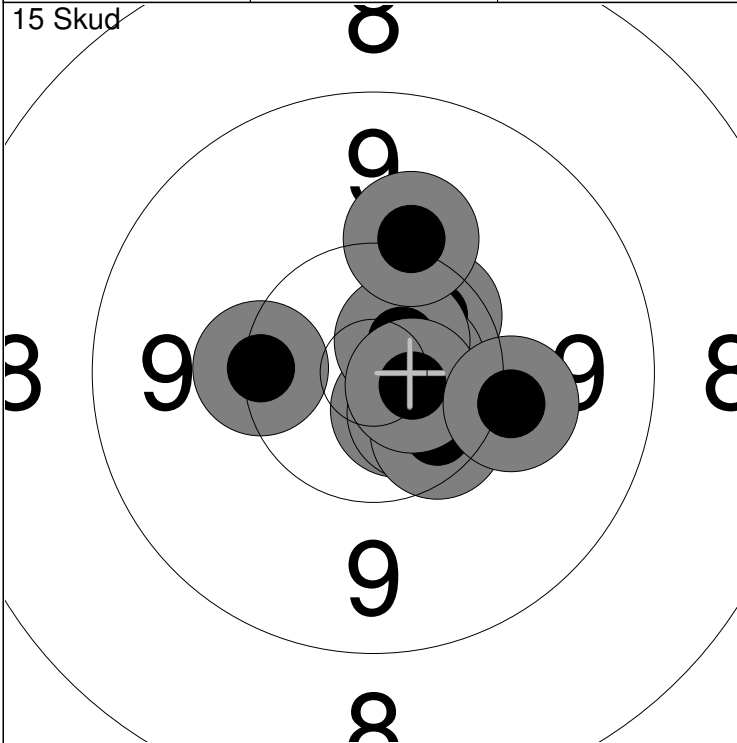


	11:	10.4	↙
	12:	*10.7	→
	13:	10.0	↙
	14:	10.1	↘
	15:	10.3	↗
<hr/>			
Serie			50.0
Total			143.0



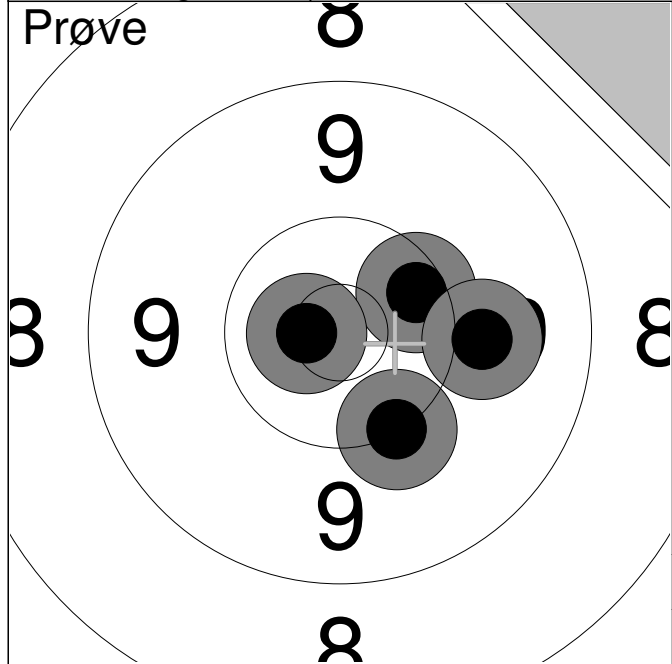
1: 9.8 →	6: *10.4 ↙	Serie	99.0
2: 10.2 ↗	7: *10.7 ↘		
3: *10.4 ↗	8: *10.6 ↘	Total	0.0
4: *10.7 ↗	9: 10.1 ↙		
5: 10.0 ↗	10: 10.2 ↖		

11: *10.8 ↓	Serie	10.0
	Total	0.0

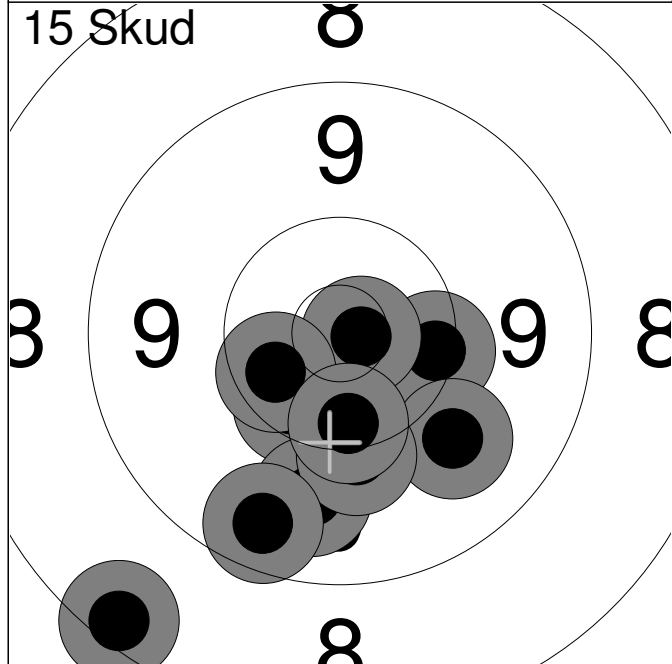


1: 10.3 ←	6: *10.7 →	Serie	100.0
2: *10.7 ↘	7: *10.7 ↗		
3: *10.6 ↘	8: *10.7 →	Total	100.0
4: *10.4 ↘	9: 10.1 ↗		
5: *10.4 ↗	10: 10.1 →		

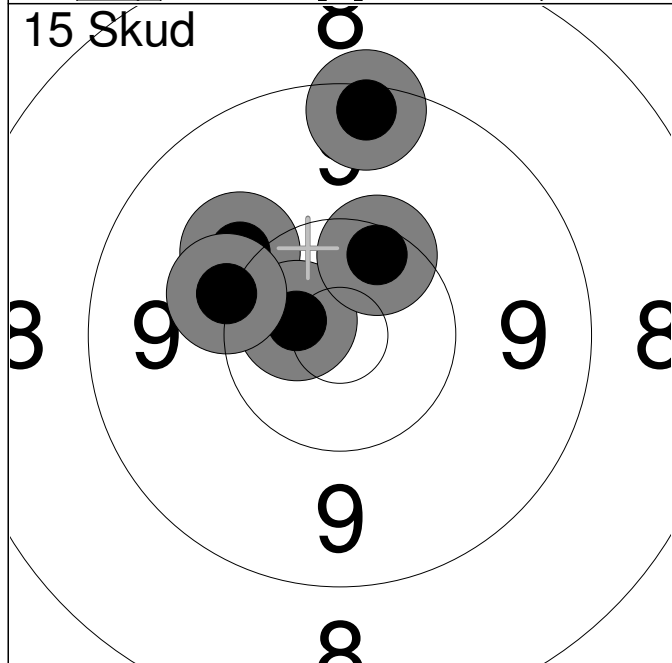
11: 9.9 ↗	Serie	49.0
12: 10.4 ↘		
13: 10.2 ↘	Total	149.0
14: 10.1 ↘		
15: 10.2 ↗		



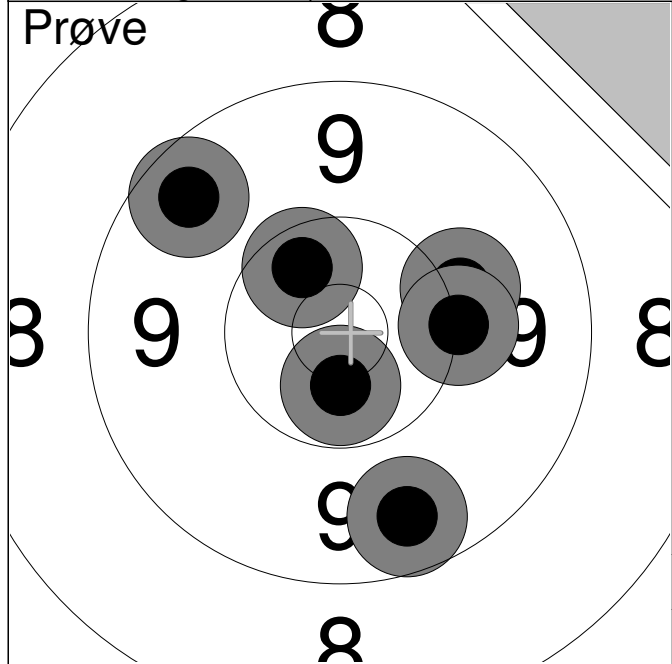
1:	10.4	↗
2:	10.0	→
3:	*10.7	←
4:	10.2	↘
Serie		40.0
Total		0.0



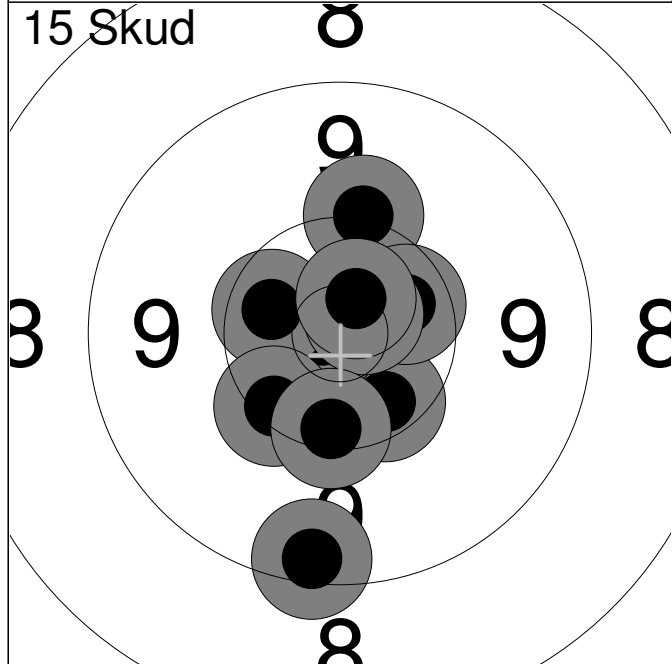
1:	10.4	↙
2:	10.3	→
3:	9.9	↘
4:	9.8	↘
5:	10.1	↘
6:	*10.8	→
7:	*10.4	←
8:	8.4	↙
9:	10.3	↘
10:	9.5	↘
Serie		95.0
Total		95.0



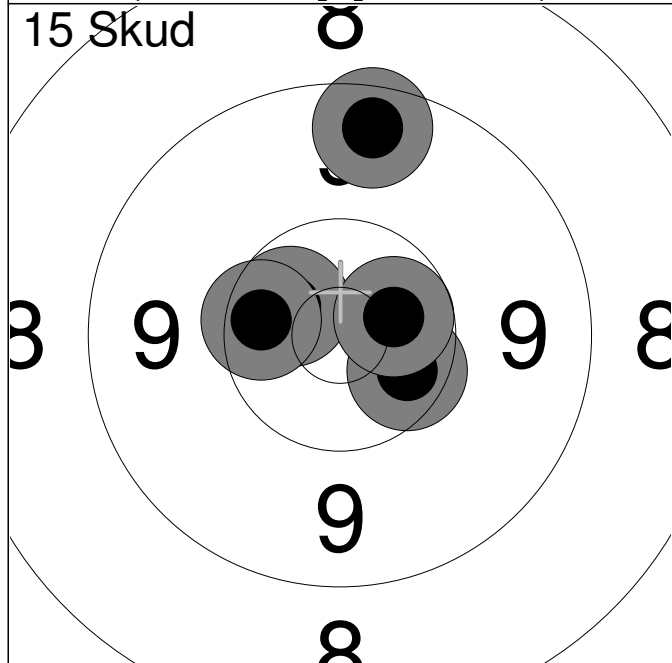
11:	9.4	↑
12:	10.1	↗
13:	*10.6	←
14:	10.3	↗
15:	10.1	←
Serie		49.0
Total		144.0



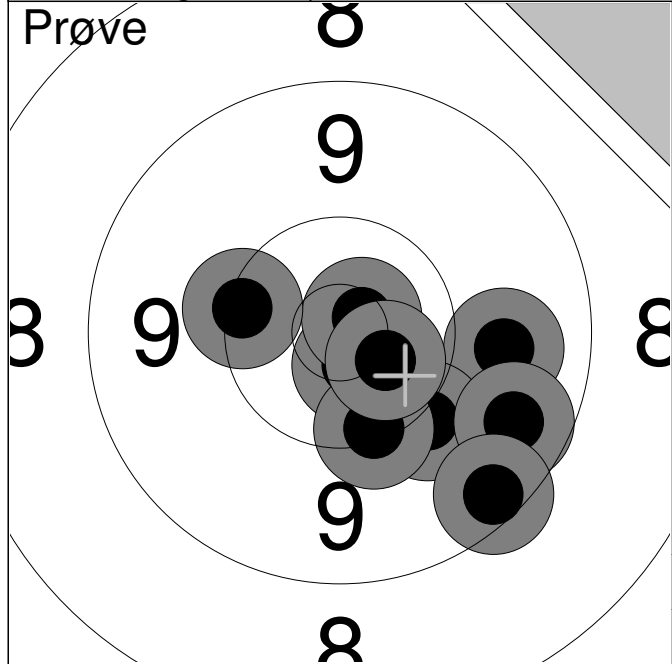
1:	10.1	→
2:	9.6	↙
3:	9.5	↗
4:	10.1	→
5:	*10.6	↙
6:	*10.4	↗
Serie		58.0
Total		0.0



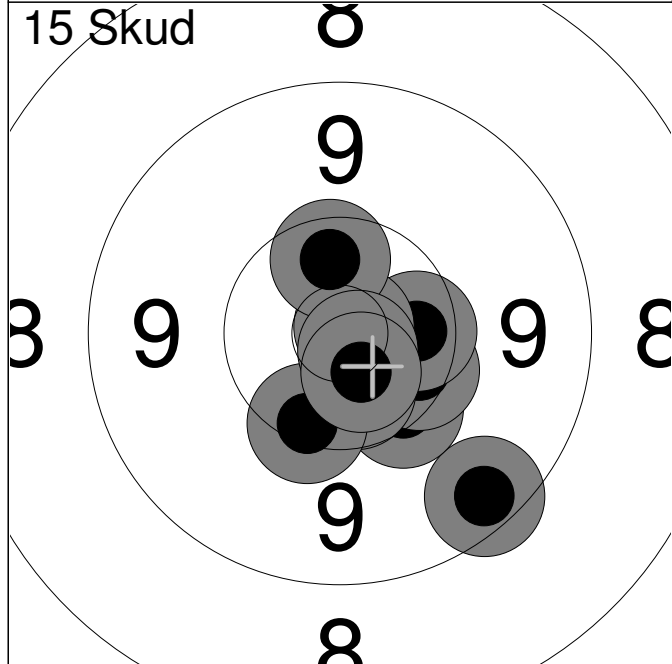
1:	10.4	↙
2:	*10.8	←
3:	9.4	↙
4:	10.1	↗
5:	*10.5	←
6:	*10.5	→
7:	*10.7	↗
8:	10.3	↙
9:	10.3	↙
10:	*10.7	↗
Serie		99.0
Total		99.0



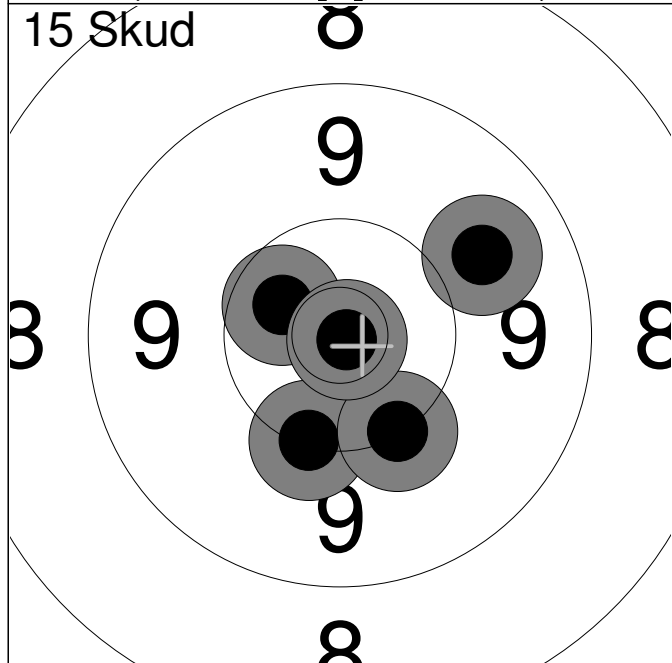
11:	*10.6	↗
12:	*10.4	↙
13:	*10.6	→
14:	9.5	↑
15:	10.4	←
Serie		49.0
Total		148.0



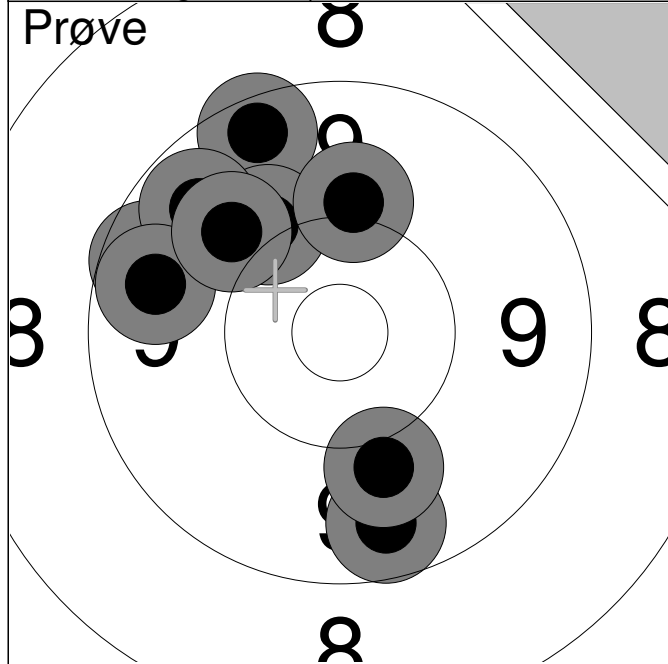
1:	*10.7	↓
2:	*10.8	↗
3:	9.8	→
4:	10.3	↖
5:	10.1	↓
6:	10.3	↓
7:	9.6	↓
8:	9.4	↓
9:	*10.6	↓
Serie		87.0
Total		0.0



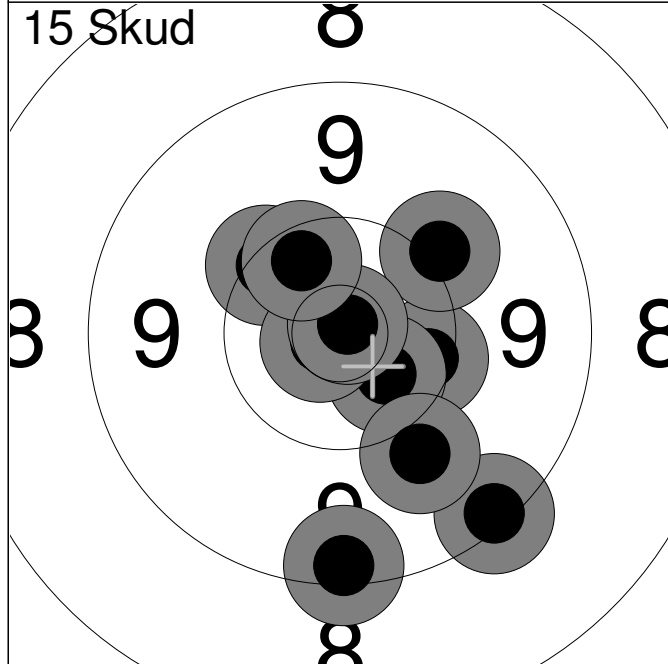
1:	9.4	↓
2:	10.3	↓
3:	10.4	→
4:	*10.4	→
5:	*10.8	↗
6:	*10.4	↖
7:	*10.6	↓
8:	10.3	↓
9:	*10.8	↓
10:	*10.7	↓
Serie		99.0
Total		99.0



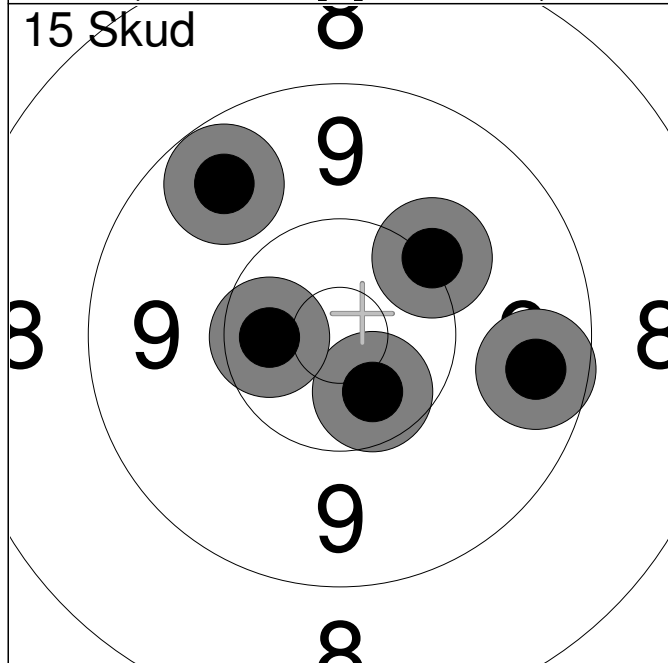
11:	*10.5	↖
12:	10.2	↓
13:	9.8	↗
14:	10.2	↓
15:	*10.9	↓
Serie		49.0
Total		148.0



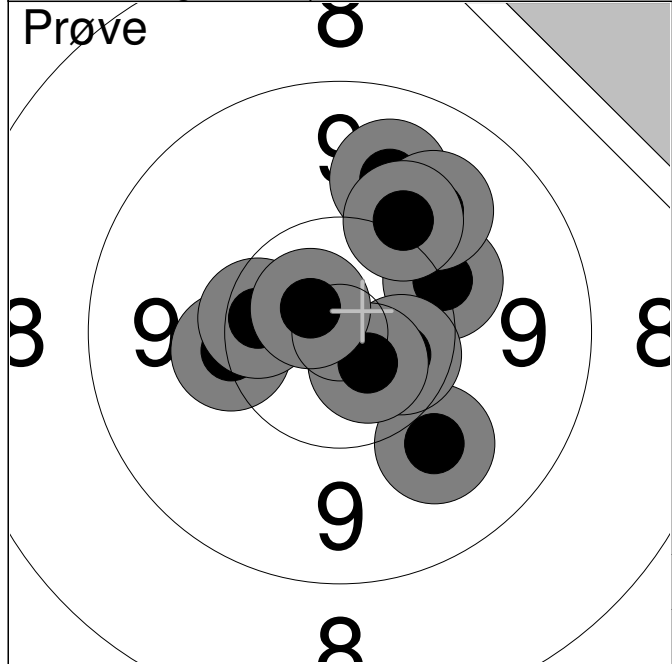
1:	9.4	↗
2:	9.5	↗
3:	10.1	↗
4:	9.6	↗
5:	10.1	↗
6:	9.6	↖
7:	9.6	↘
8:	9.9	↗
9:	10.0	↘
Serie		84.0
Total		0.0



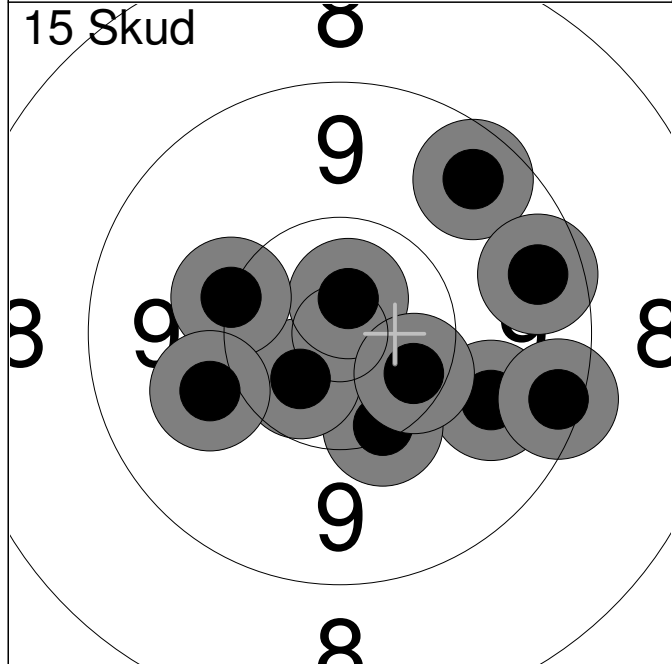
1:	10.3	→
2:	9.3	↘
3:	*10.5	↘
4:	10.3	↗
5:	9.3	↘
6:	*10.8	↖
7:	10.0	↘
8:	10.1	↗
9:	*10.9	↗
10:	10.4	↗
Serie		98.0
Total		98.0



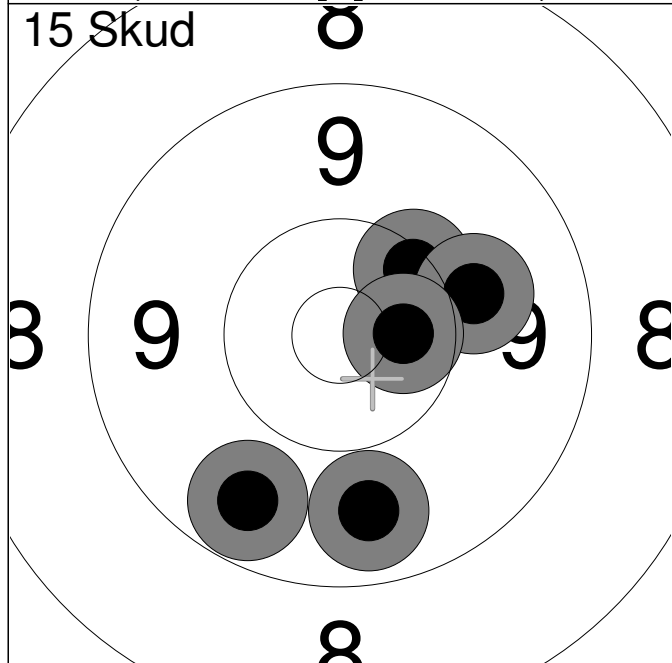
11:	*10.5	↘
12:	*10.5	↖
13:	9.6	↗
14:	10.1	↗
15:	9.6	→
Serie		48.0
Total		146.0



1:	10.2	←
2:	10.0	↘
3:	9.8	↑
4:	10.4	←
5:	10.2	↗
6:	9.9	↗
7:	10.1	↗
8:	*10.5	→
9:	*10.7	↘
10:	*10.7	↗
Serie		98.0
Total		0.0



1:	9.8	↘
2:	10.3	↘
3:	9.5	↗
4:	*10.5	↙
5:	9.5	→
6:	9.3	→
7:	*10.7	↑
8:	10.2	←
9:	10.0	←
10:	10.4	↘
Serie		96.0
Total		96.0

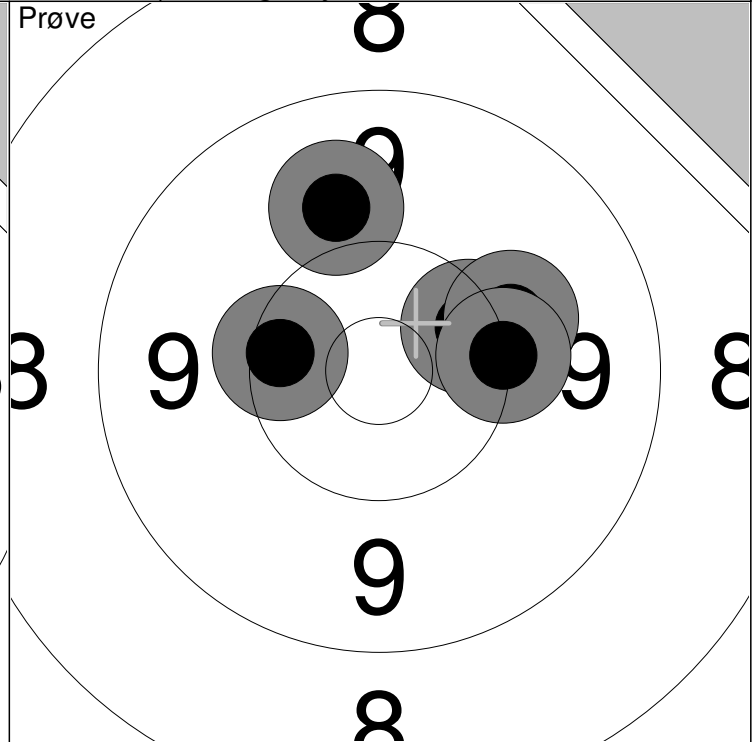
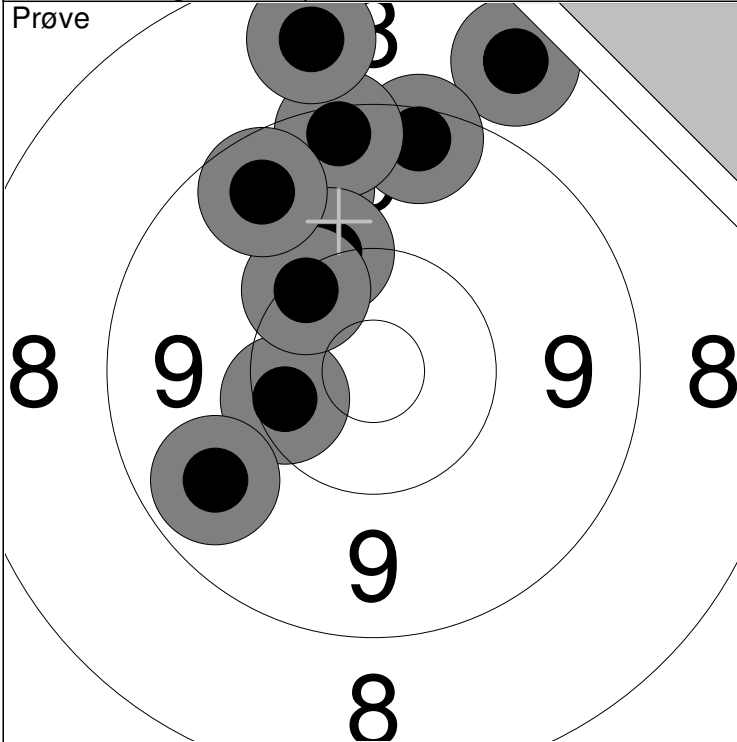


11:	10.3	↗
12:	9.6	↙
13:	9.7	↘
14:	10.0	→
15:	*10.5	→
Serie		48.0
Total		144.0

Ulsted Skf.

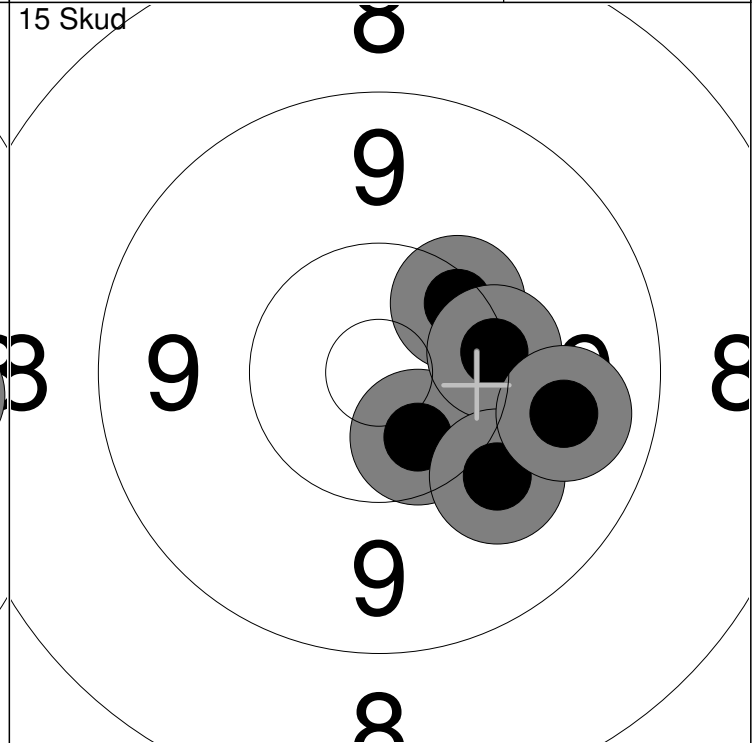
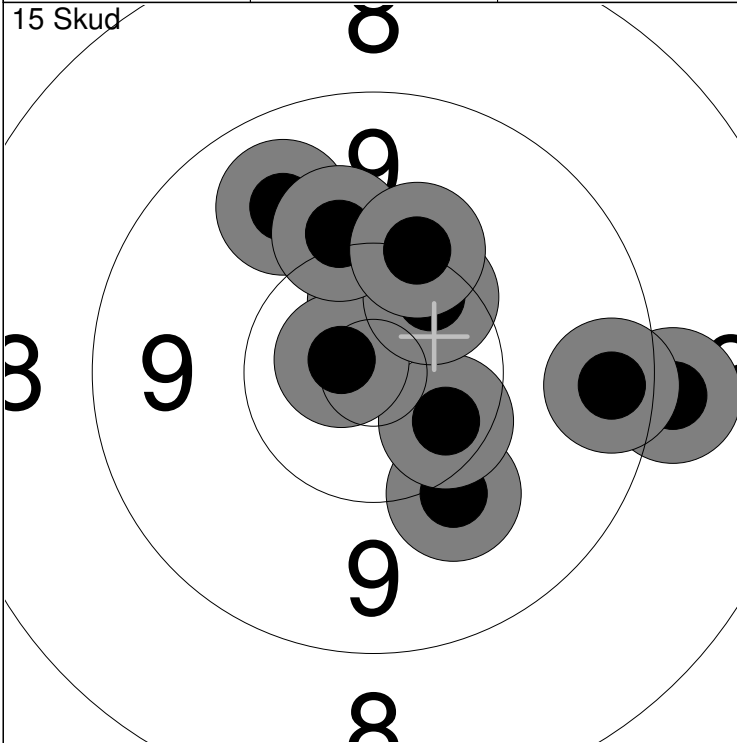
27. - 28. august 2011 NM 2011

Aalborg Skyttekreds



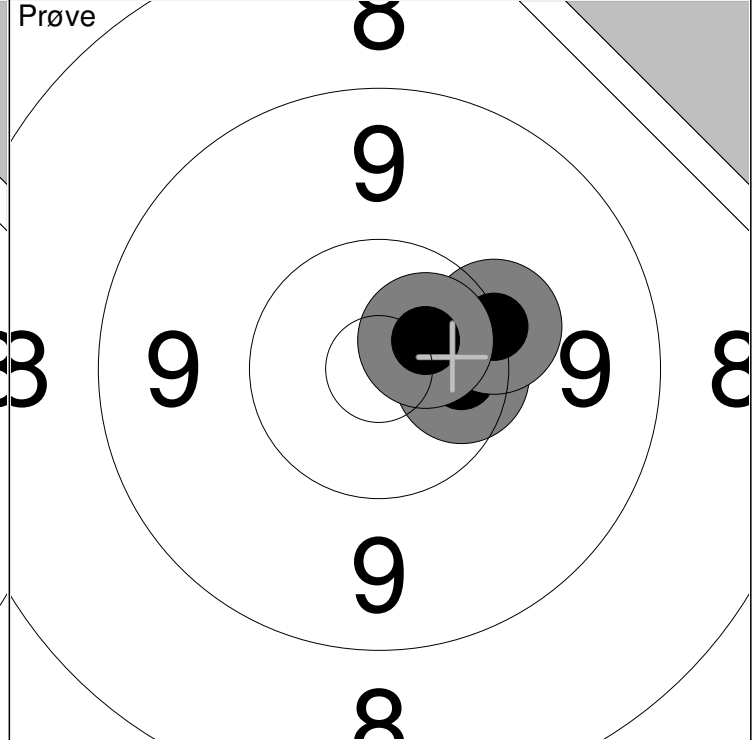
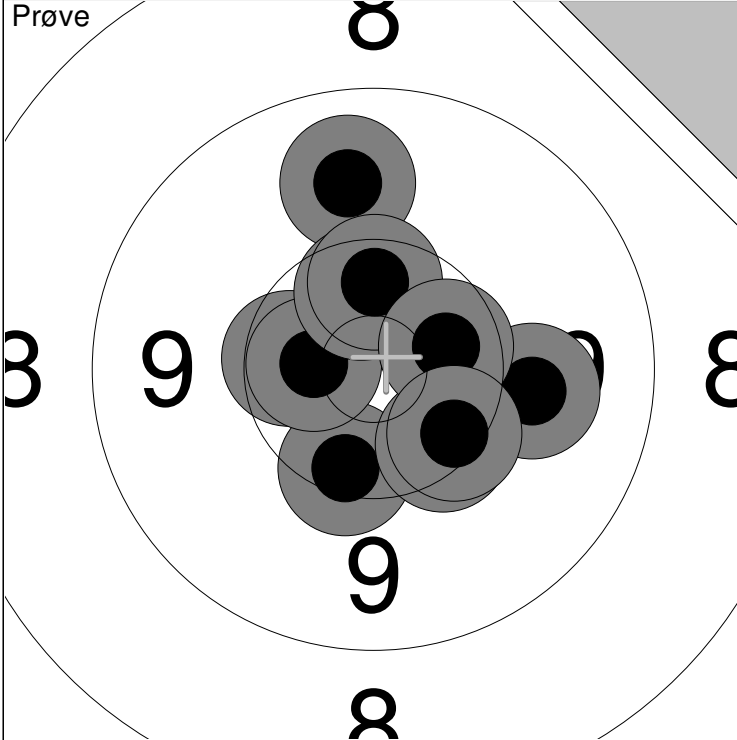
1: 8.7 ↗	6: 8.7 ↗	Serie	91.0
2: 9.4 ↗	7: 10.1 ↗		
3: 9.7 ↗	8: 10.3 ↗	Total	0.0
4: 10.4 ←	9: 9.7 ↙		
5: 9.4 ↗	10: 9.6 ↗		

11: 9.9 ↗	Serie	49.0
12: 10.3 →		
13: 10.1 →	Total	0.0
14: 10.2 →		
15: 10.3 ←		



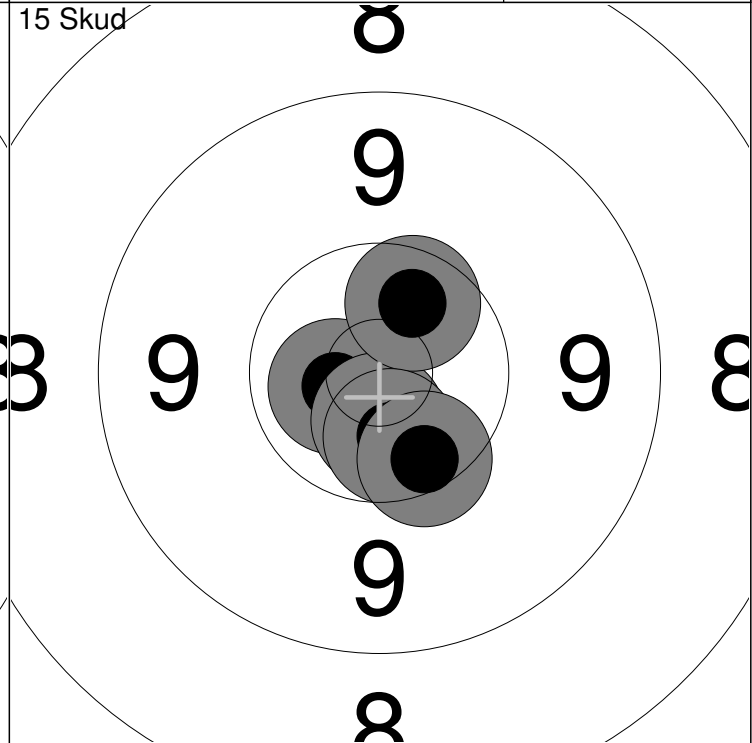
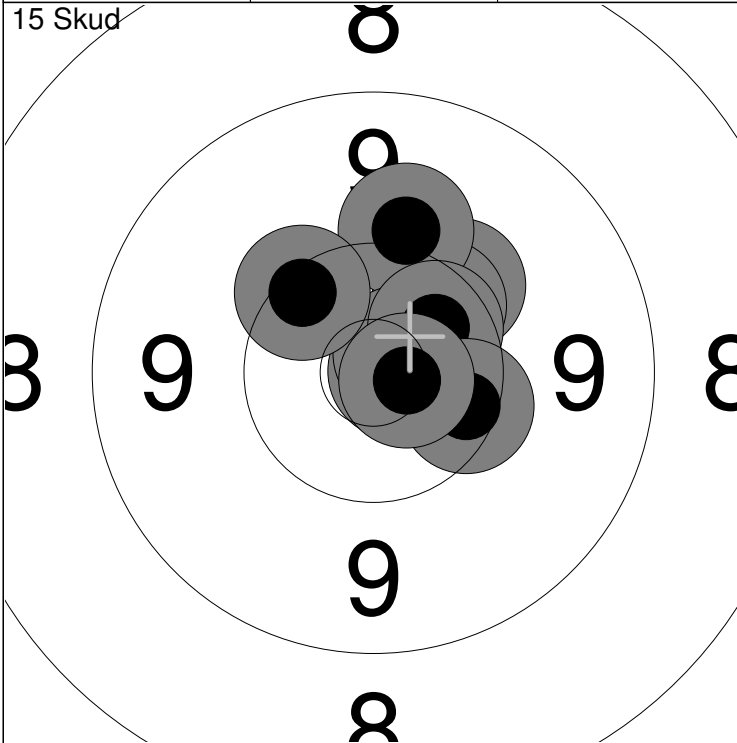
1: 10.1 ↘	6: 9.8 ↗	Serie	97.0
2: *10.4 ↘	7: 9.5 →		
3: *10.5 ↗	8: 10.4 ↗	Total	97.0
4: 9.1 →	9: 10.1 ↗		
5: *10.7 ←	10: 10.2 ↗		

11: 10.3 ↗	Serie	49.0
12: *10.5 ↘		
13: 10.2 →	Total	146.0
14: 10.0 ↘		
15: 9.8 →		



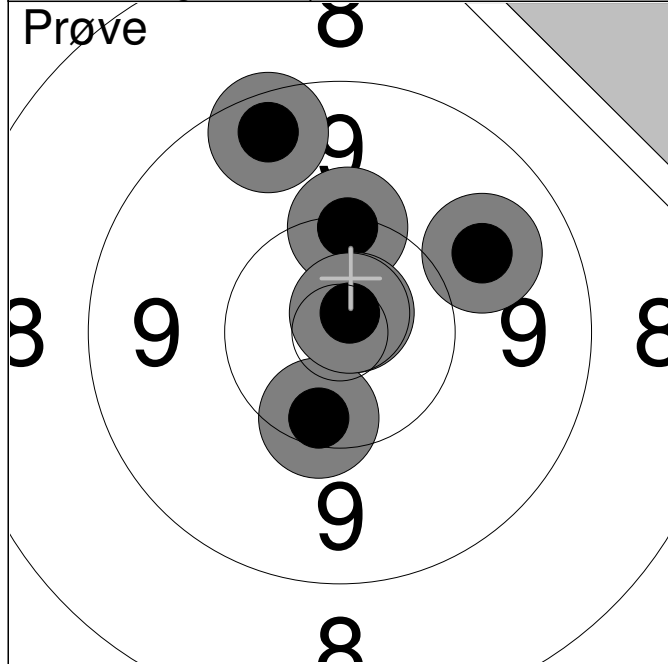
1: 9.8 ↑	6: 10.0 →	Serie	99.0
2: 10.3 ↓	7: *10.5 ↑		
3: *10.4 ←	8: *10.4 ↑	Total	0.0
4: *10.6 ←	9: *10.5 →		
5: 10.3 ↓	10: 10.3 ↓		

11: *10.4 →	Serie	30.0
12: 10.2 →		
13: *10.6 ↗	Total	0.0

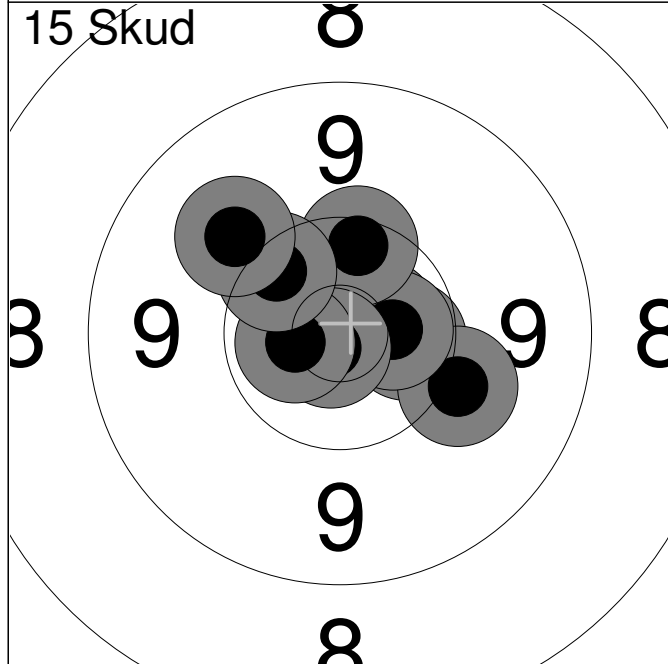


1: *10.7 →	6: *10.7 ↗	Serie	100.0
2: 10.2 ↗	7: *10.5 ↗		
3: *10.8 →	8: 10.3 ↘	Total	100.0
4: 10.4 ↗	9: *10.7 →		
5: 10.1 ↑	10: 10.3 ↗		

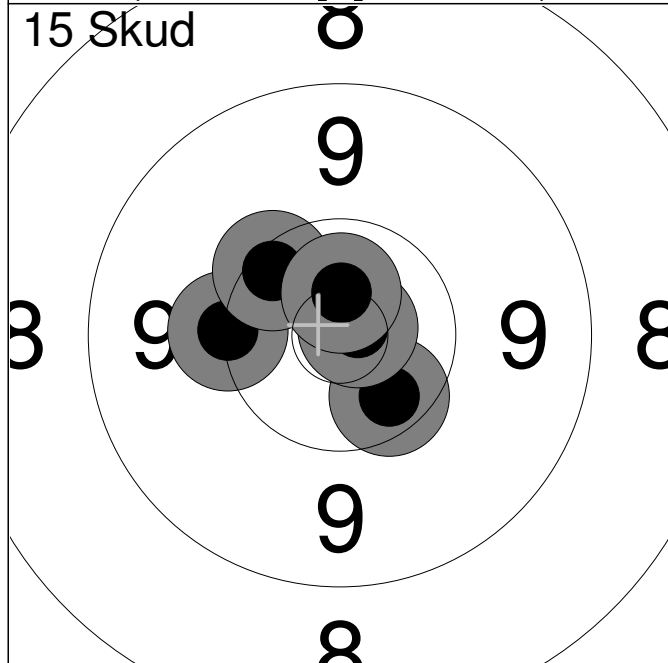
11: *10.7 ←	Serie	50.0
12: *10.7 ↓		
13: *10.5 ↗	Total	150.0
14: *10.6 ↓		
15: 10.4 ↓		



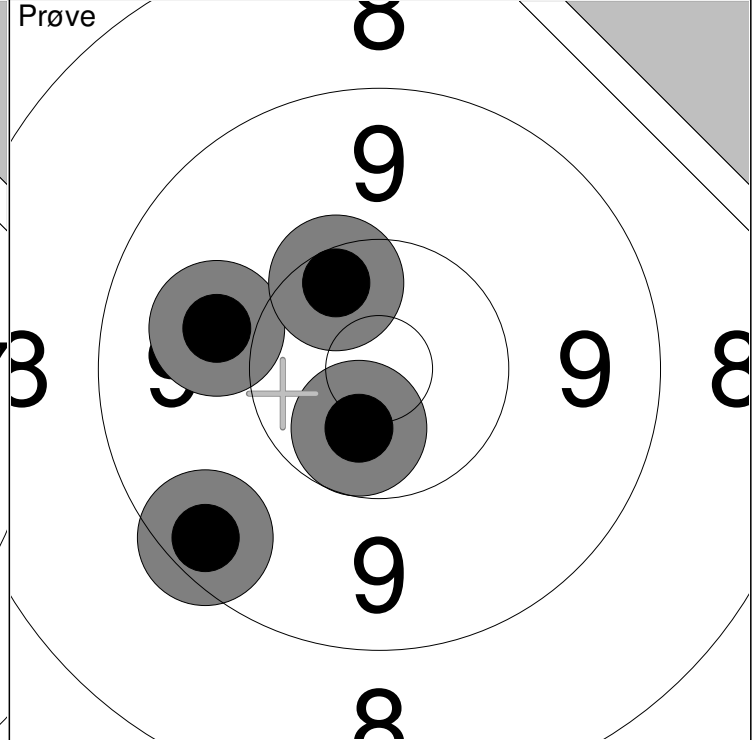
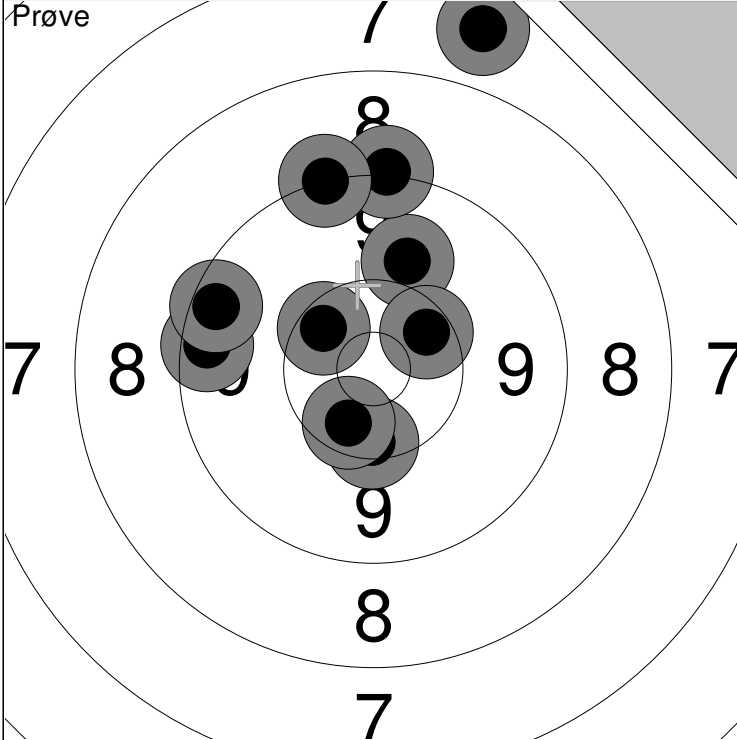
1:	10.3	↓
2:	10.2	↑
3:	*10.8	↗
4:	9.5	↖
5:	9.8	↗
6:	*10.8	↗
Serie		58.0
Total		0.0



1:	*10.5	→
2:	10.1	↘
3:	*10.7	→
4:	*10.7	→
5:	*10.6	→
6:	10.3	↑
7:	*10.8	↙
8:	*10.6	←
9:	10.3	↗
10:	10.0	↗
Serie		100.0
Total		100.0

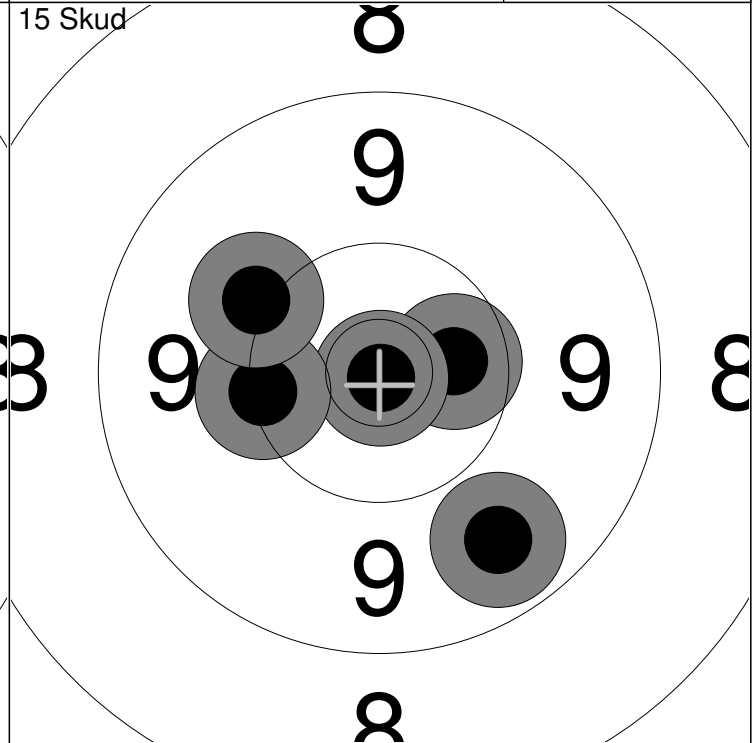
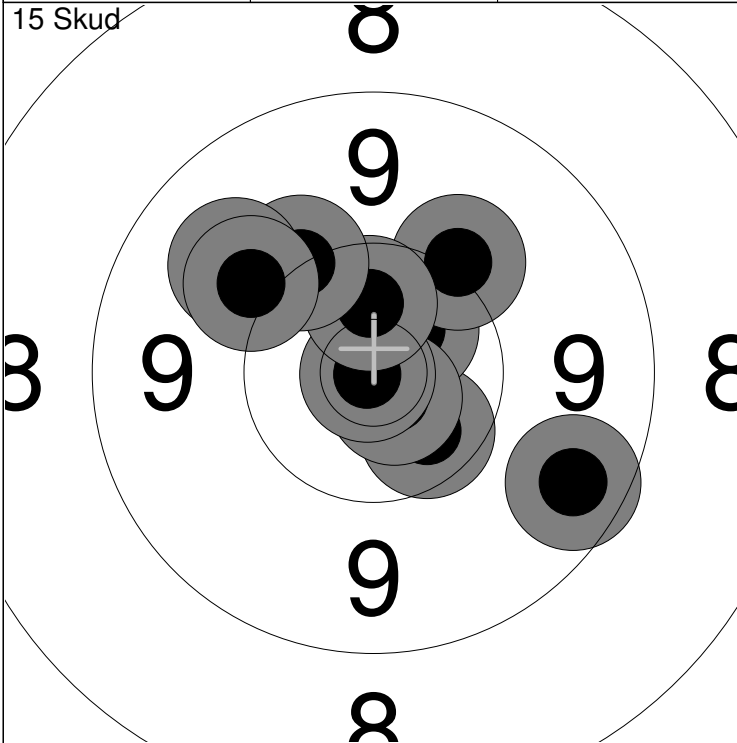


11:	10.2	←
12:	10.3	↗
13:	*10.4	↘
14:	*10.8	↗
15:	*10.7	↑
Serie		50.0
Total		150.0



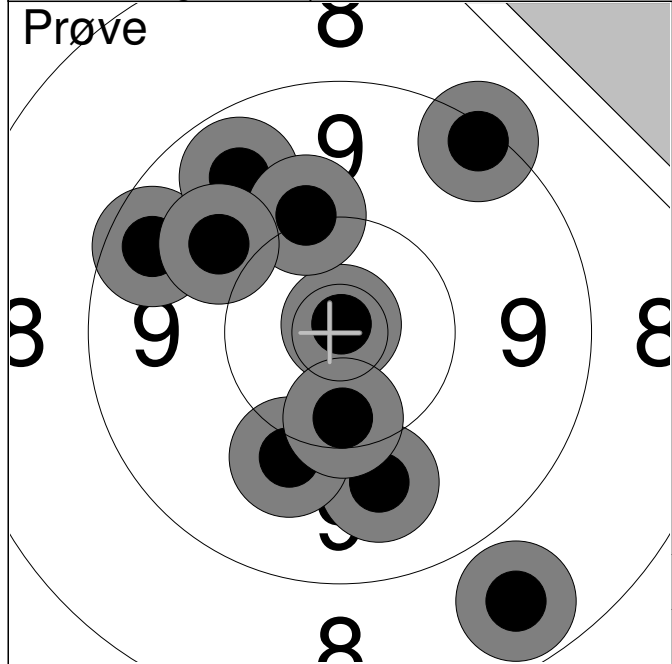
1: 9.4 ←	6: 10.3 ↓	Serie	92.0
2: 9.4 ↖	7: *10.4 ↓		
3: 9.9 ↗	8: 10.4 ↗	Total	0.0
4: 7.6 ↗	9: 9.2 ↗		
5: 9.1 ↗	10: 10.4 ↖		

11: 9.9 ←	Serie	38.0
12: 9.4 ↖		
13: *10.6 ↓	Total	0.0
14: 10.4 ↗		

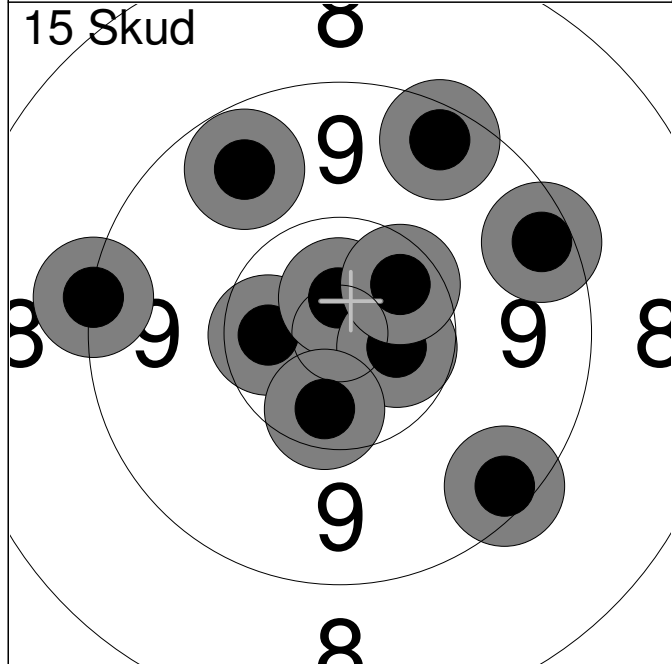


1: *10.5 ↓	6: *10.9 ←	Serie	98.0
2: 9.5 ↓	7: *10.5 ↗		
3: *10.6 ↗	8: 10.1 ↗	Total	98.0
4: *10.8 ↓	9: 9.9 ↗		
5: 10.1 ↗	10: 10.0 ↗		

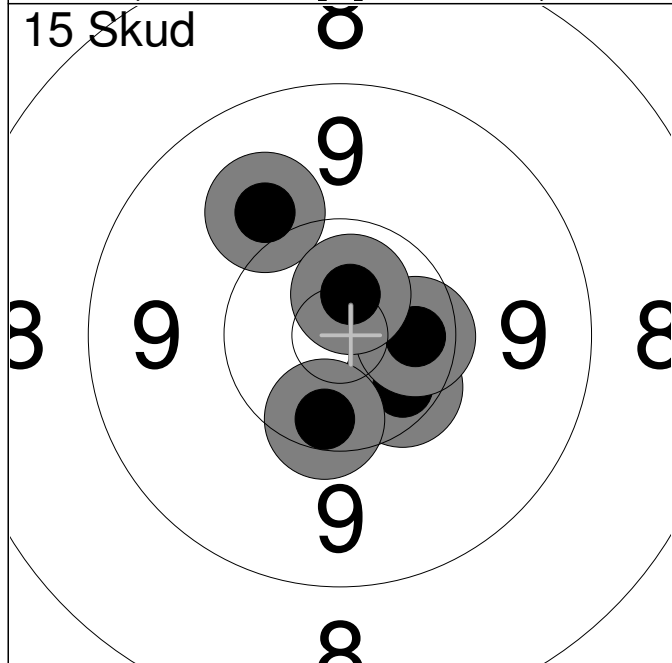
11: *10.5 →	Serie	49.0
12: *10.9 ↓		
13: 9.7 ↓	Total	147.0
14: 10.2 ←		
15: 10.1 ↗		



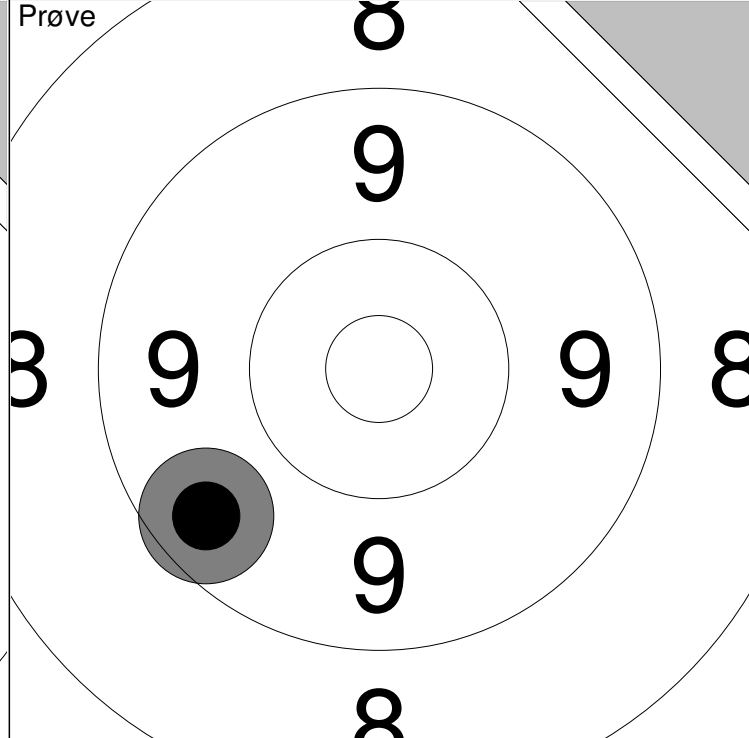
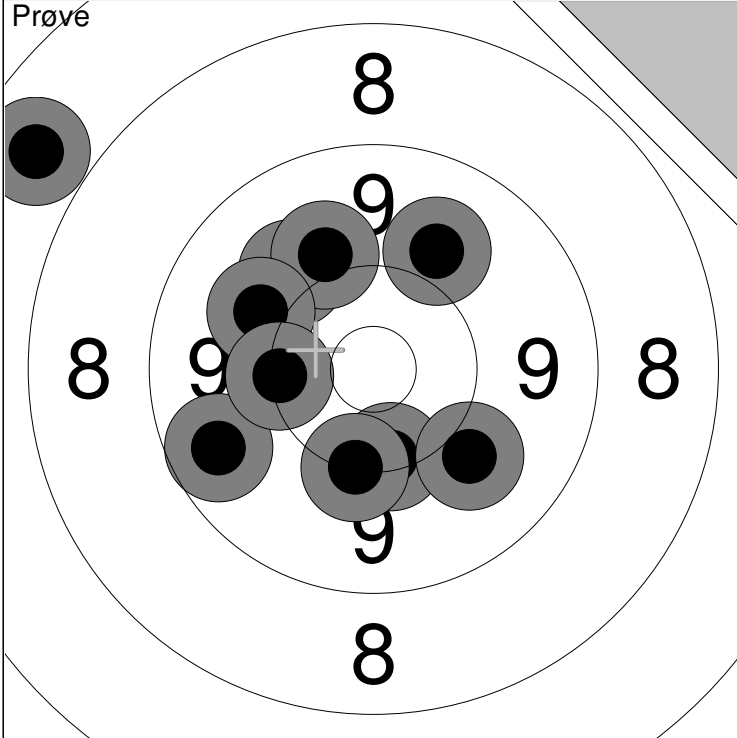
1:	8.7	↓
2:	*10.9	↑
3:	9.9	↓
4:	9.5	↑
5:	9.7	↑
6:	9.3	↑
7:	10.1	↑
8:	10.0	↓
9:	9.9	↑
10:	10.4	↓
Serie		93.0
Total		0.0



1:	9.4	↓
2:	*10.5	←
3:	*10.7	↑
4:	9.4	↑
5:	*10.6	→
6:	*10.4	↑
7:	9.6	↑
8:	9.2	←
9:	9.4	→
10:	*10.4	↓
Serie		95.0
Total		95.0

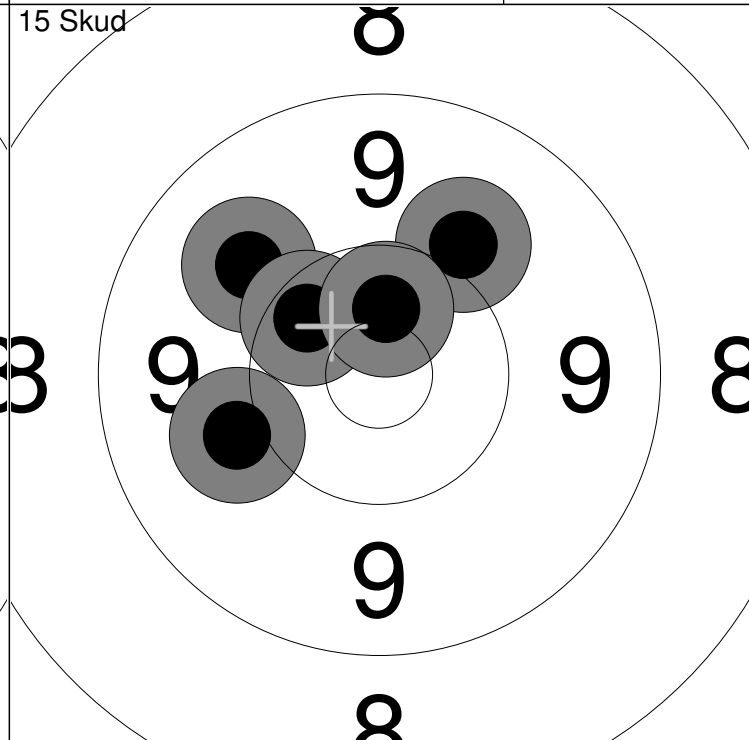
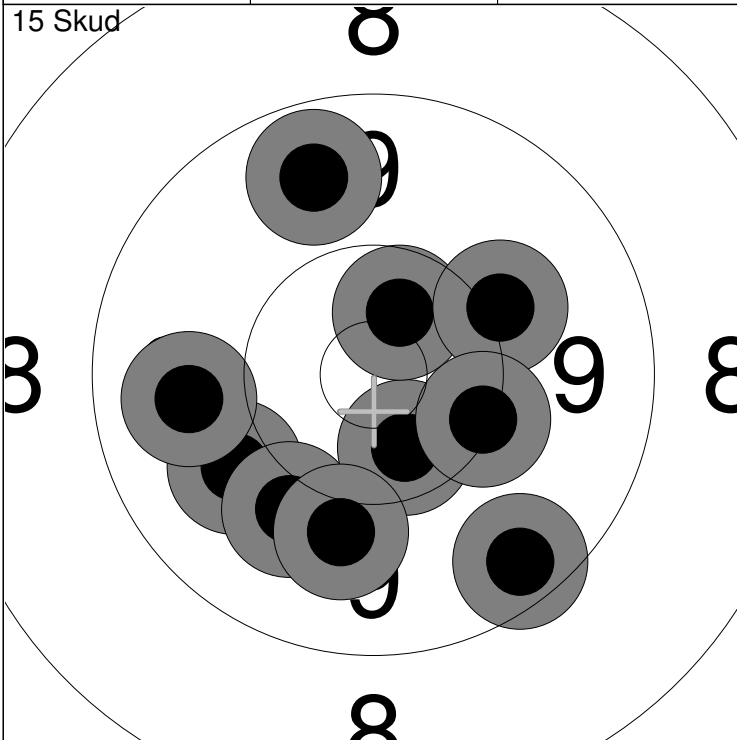


11:	10.4	↓
12:	*10.4	→
13:	10.4	↓
14:	10.0	↑
15:	*10.7	↑
Serie		50.0
Total		145.0



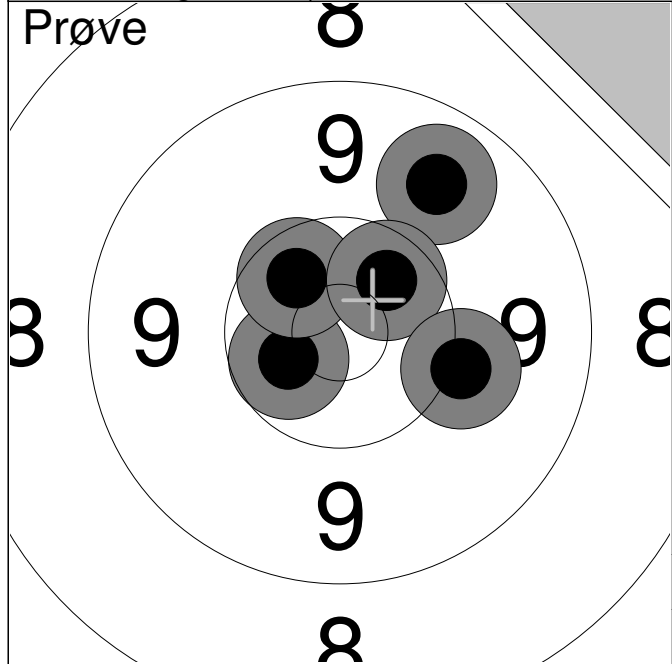
1: 7.7 ↗	6: 10.0 ↗	Serie	95.0
2: 9.6 ↙	7: 10.0 ↘		
3: 10.3 ↓	8: 10.0 ↗	Total	0.0
4: 10.2 ↓	9: 9.9 ↗		
5: 10.0 ↗	10: 10.2 ←		

11: 9.5 ↙	Serie	9.0
	Total	0.0

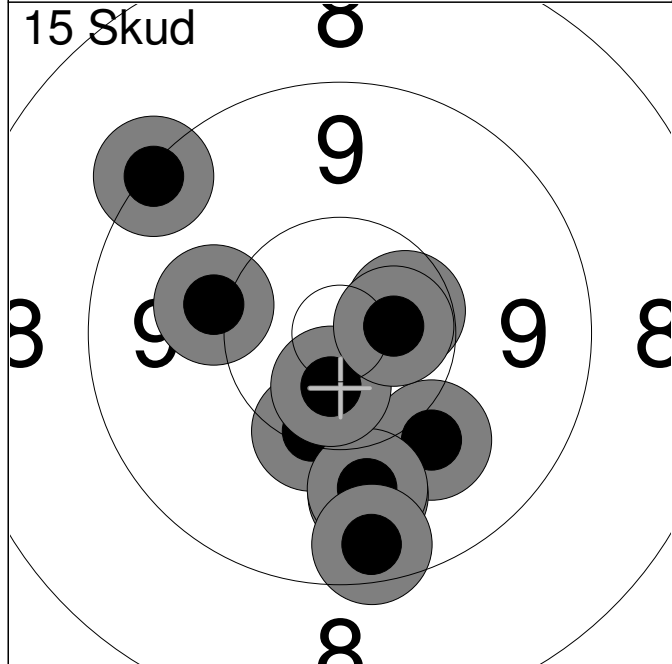


1: 9.9 ↙	6: *10.5 ↗	Serie	96.0
2: 10.0 ↘	7: 10.1 ↗		
3: 9.8 ←	8: 10.2 →	Total	96.0
4: *10.5 ↓	9: 9.5 ↘		
5: 9.7 ↗	10: 10.0 ↓		

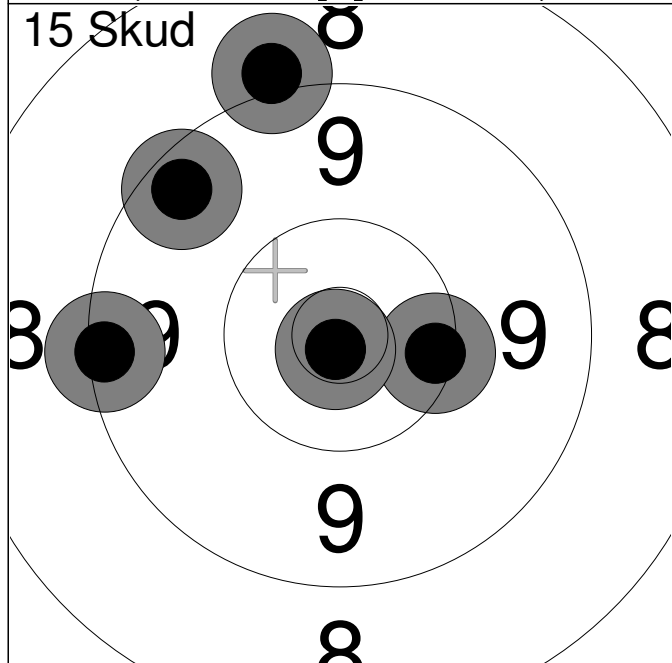
11: 10.0 ↙	Serie	49.0
12: 10.0 ↗		
13: 9.9 ↙	Total	145.0
14: 10.4 ↙		
15: *10.5 ↗		



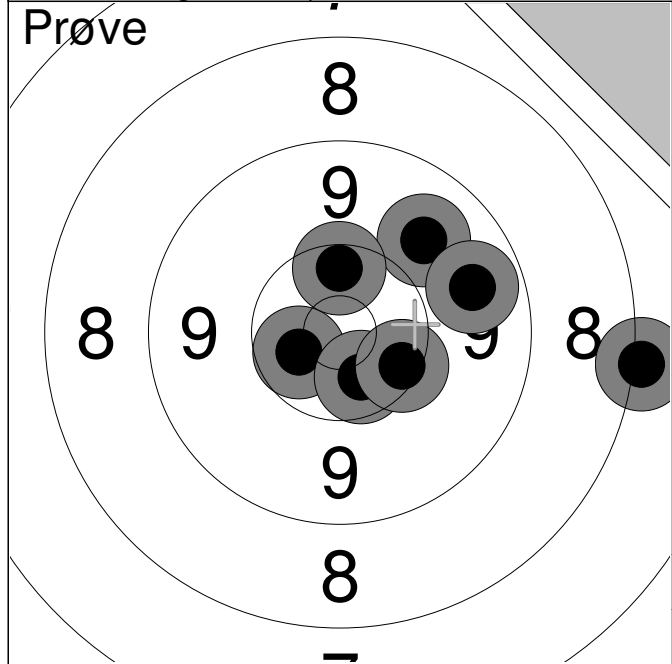
	1:	*10.6	←
	2:	9.7	↗
	3:	*10.5	↗
	4:	*10.5	↗
	5:	10.1	→
Serie			49.0
Total			0.0



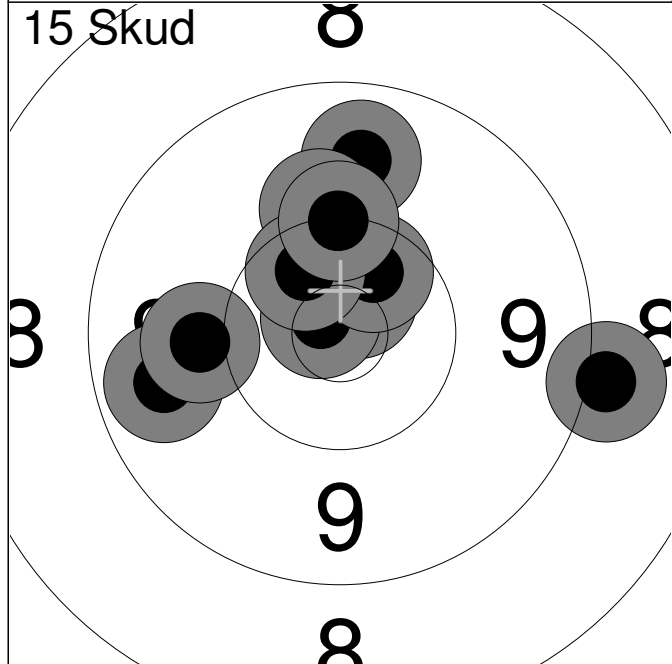
	1:	9.2	↗
	2:	10.0	↘
	3:	*10.5	→
	4:	10.1	←
	5:	9.8	↘
	6:	10.3	↘
	7:	9.9	↘
	8:	*10.6	↘
	9:	*10.6	→
	10:	9.5	↘
Serie			96.0
Total			96.0



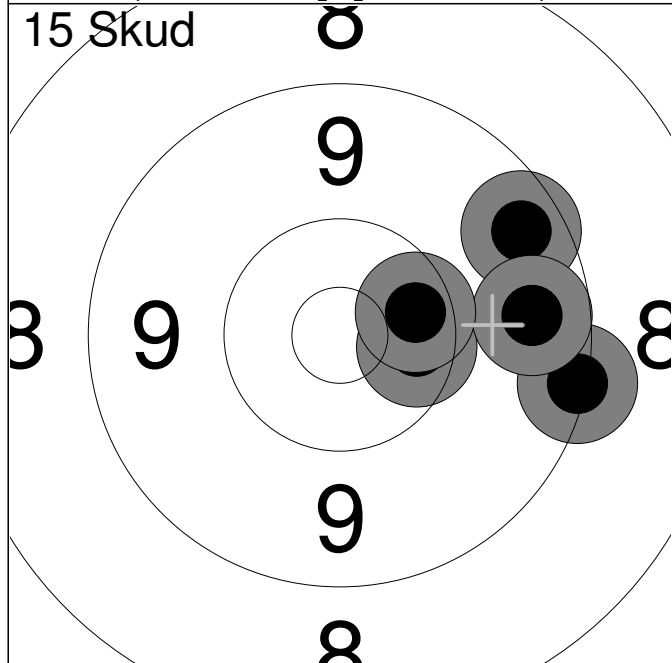
	11:	10.3	→
	12:	*10.8	↘
	13:	9.0	↗
	14:	9.3	←
	15:	9.4	↗
Serie			47.0
Total			143.0



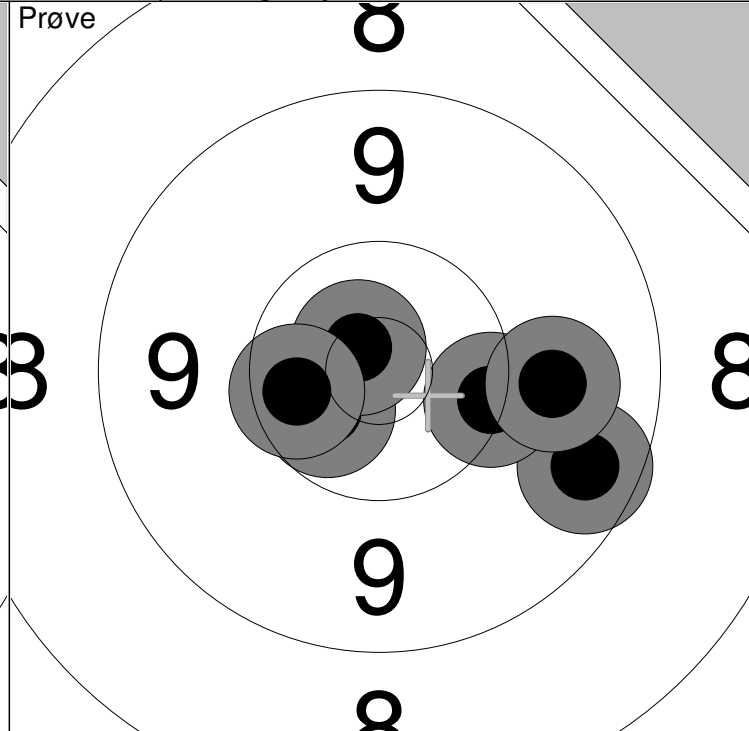
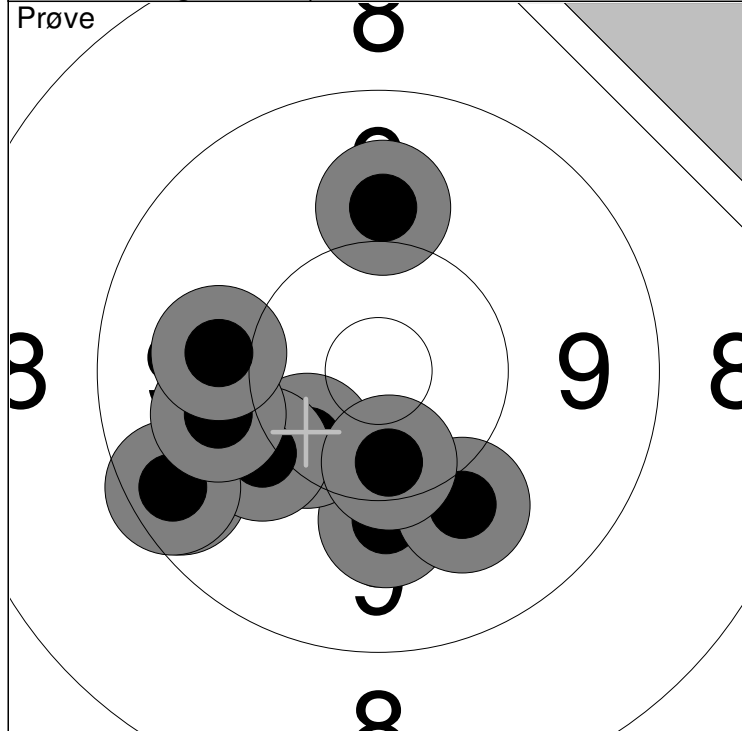
1:	8.1	→
2:	*10.5	↙
3:	*10.5	↘
4:	9.8	↗
5:	9.7	→
6:	10.4	↑
7:	10.3	↘
Serie		66.0
Total		0.0



1:	9.7	↑
2:	9.7	↙
3:	*10.7	↗
4:	10.0	↙
5:	*10.8	↗
6:	10.1	↑
7:	9.0	→
8:	*10.5	↗
9:	*10.5	↗
10:	10.2	↑
Serie		97.0
Total		97.0

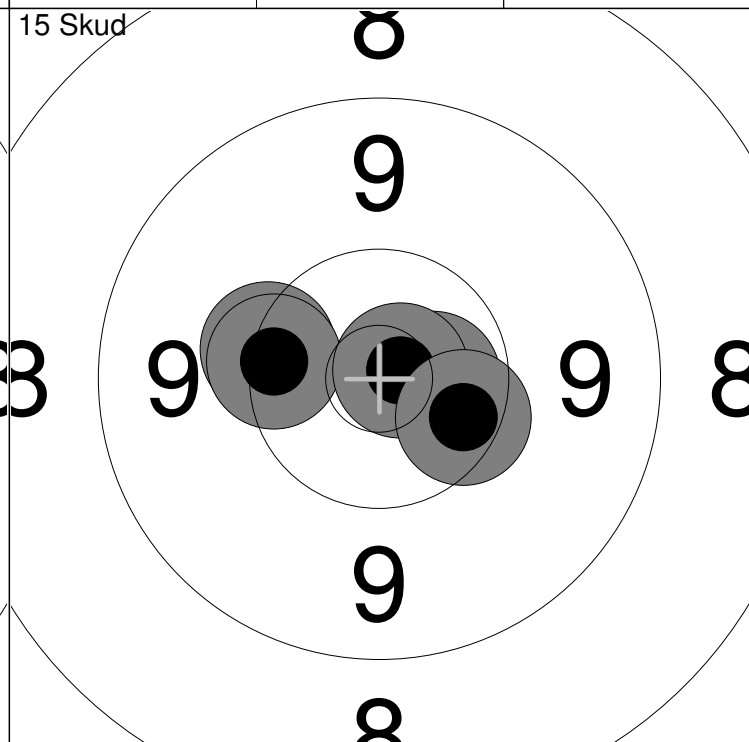
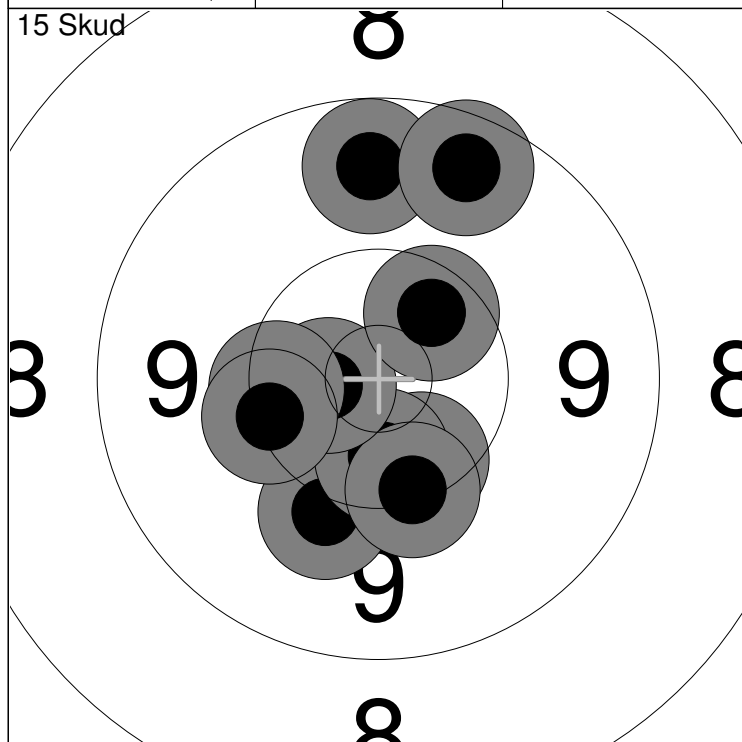


11:	*10.4	→
12:	9.5	↗
13:	9.2	→
14:	9.6	→
15:	10.4	→
Serie		47.0
Total		144.0



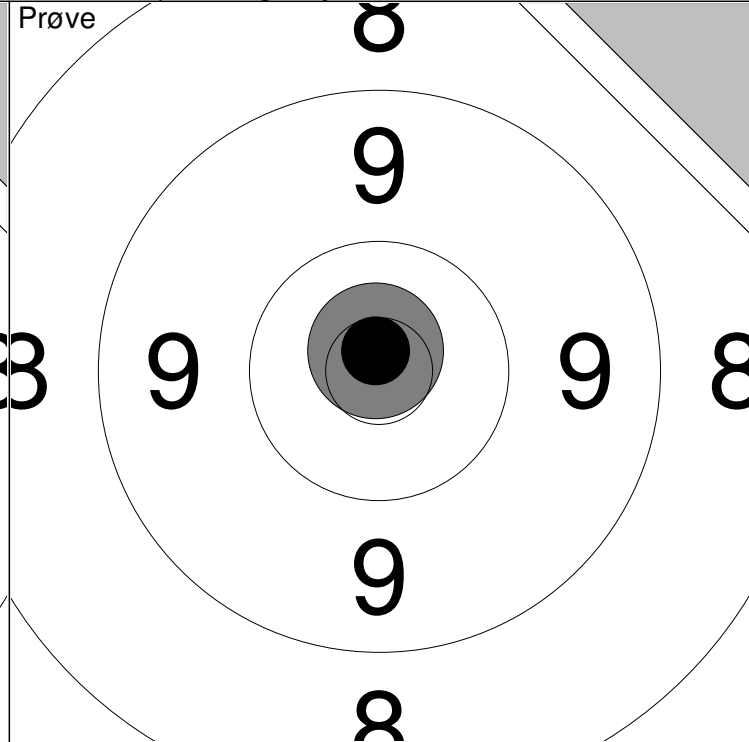
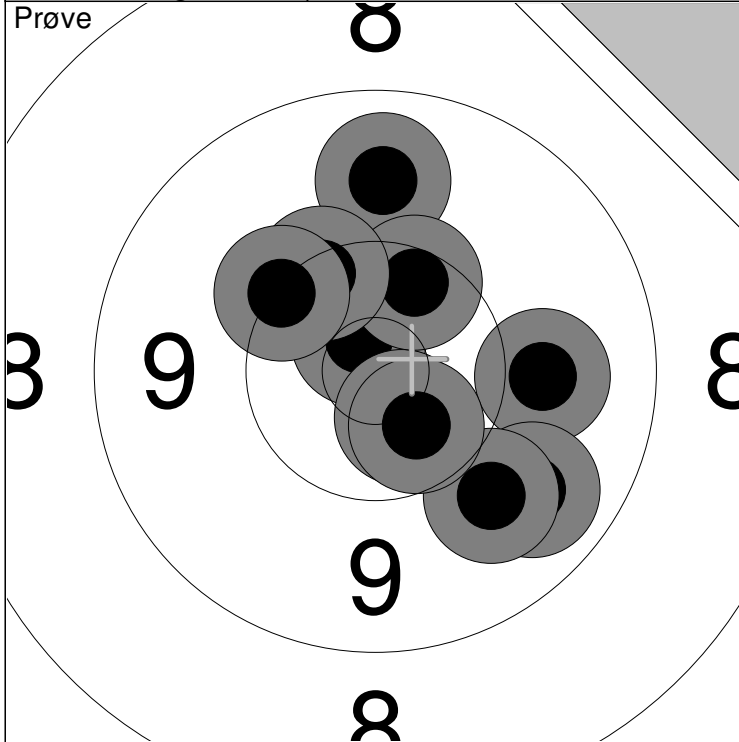
1: 10.0 ↓	6: 10.1 ↙	Serie	97.0
2: 10.3 ↙	7: 9.5 ↙		
3: 10.0 ↓	8: 10.4 ↓	Total	0.0
4: 9.5 ↙	9: 9.9 ↙		
5: 10.0 ↑	10: 10.0 ←		

11: 9.5 →	16: *10.4 ←	Serie	58.0
12: 10.2 →	13: 9.9 →		
14: *10.6 ↙	15: *10.8 ↖	Total	0.0



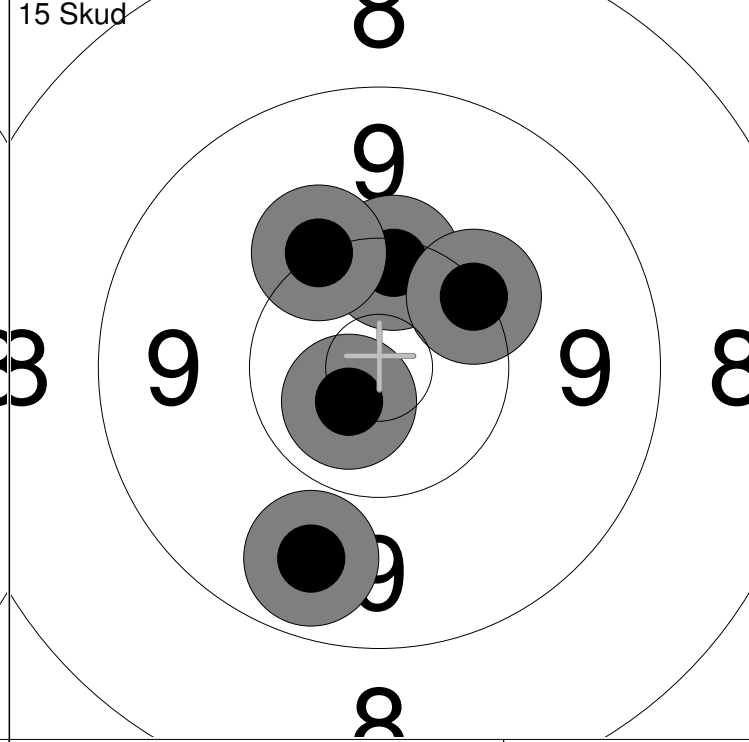
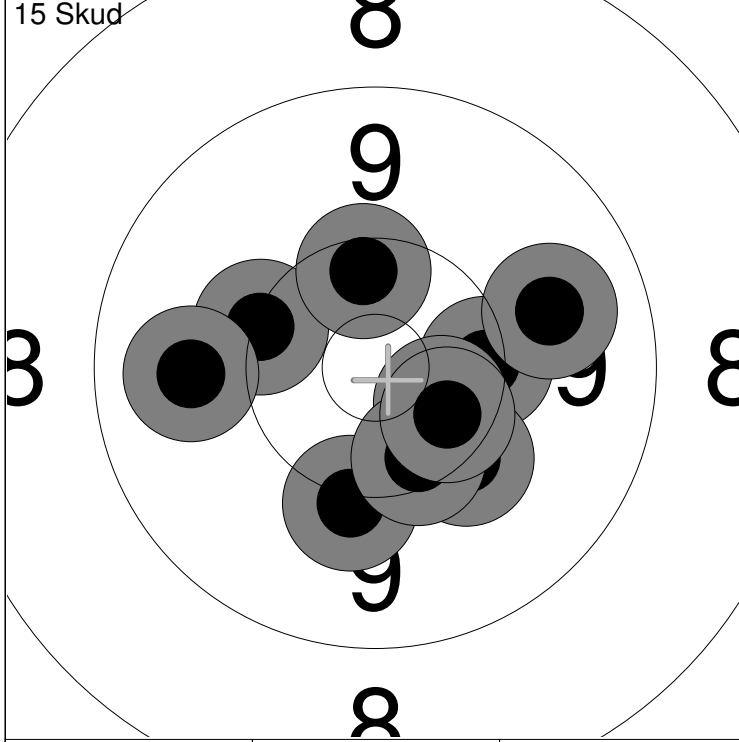
1: 10.4 ↓	6: 9.6 ↑	Serie	98.0
2: 10.1 ↓	7: *10.4 ↗		
3: *10.5 ↓	8: 10.3 ←	Total	98.0
4: 10.2 ↓	9: 9.5 ↗		
5: *10.6 ←	10: 10.2 ←		

11: *10.6 →	Serie	50.0
12: 10.2 ↙		
13: 10.3 ↙	Total	148.0
14: *10.8 ↗		
15: 10.4 →		



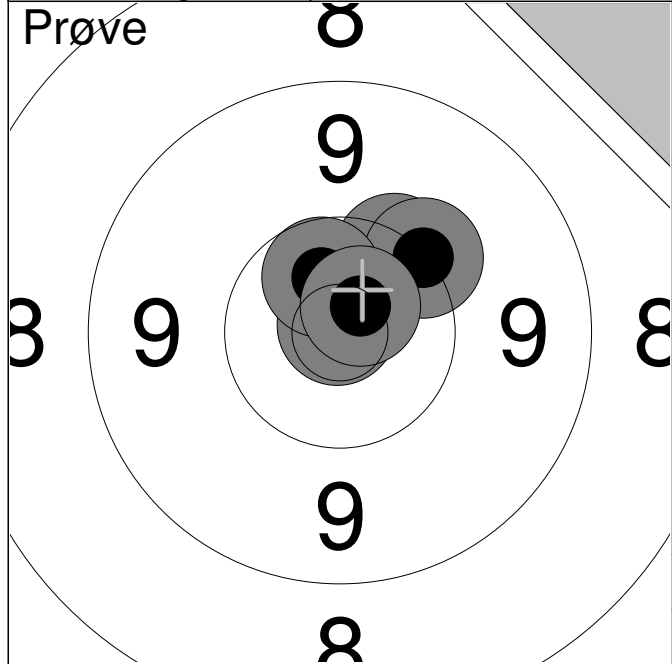
1: 9.9 →	6: 10.4 ↗	Serie	96.0
2: *10.7 ↗	7: 9.9 ↘		
3: *10.6 ↘	8: 10.3 ↗	Total	0.0
4: 9.8 ↑	9: *10.5 ↘		
5: 9.7 ↘	10: 10.2 ↗		

11: *10.8 ↑		Serie	10.0
		Total	0.0

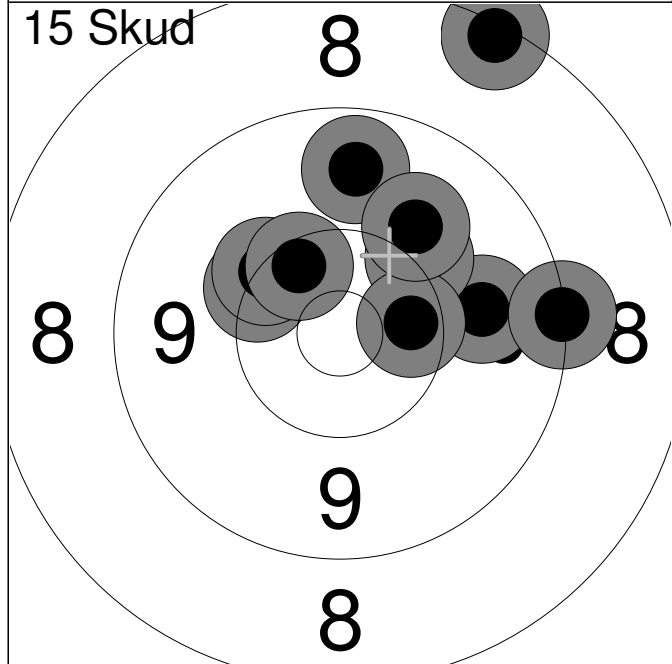


1: 10.3 →	6: *10.5 ↘	Serie	98.0
2: 10.2 ←	7: 9.8 ←		
3: 9.8 →	8: 10.1 ↘	Total	98.0
4: 10.4 ↑	9: 10.3 ↘		
5: 10.2 ↘	10: *10.4 ↘		

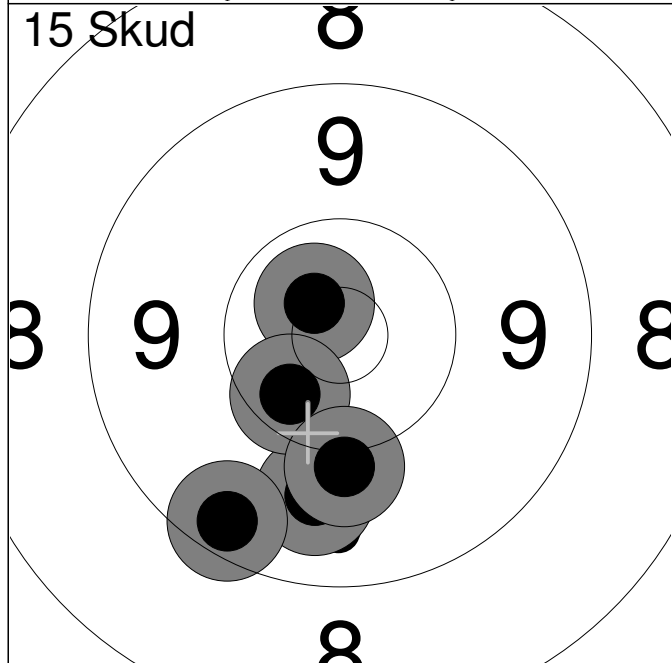
11: *10.7 ↘	12: 10.3 ↑	Serie	49.0
13: 10.2 ↗	14: 10.2 ↗		
15: 9.7 ↘		Total	147.0



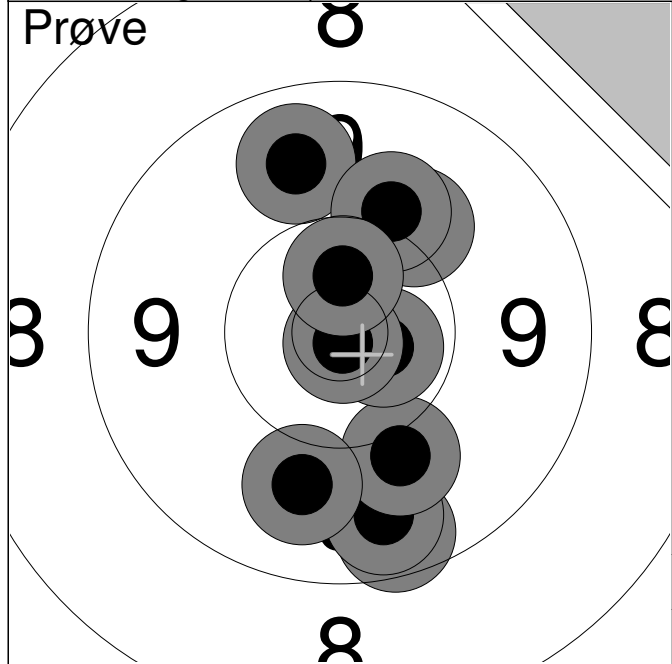
	1:	10.3	↗
	2:	10.2	↗
	3:	*10.9	↗
	4:	*10.6	↗
	5:	*10.7	↗
Serie			50.0
Total			0.0



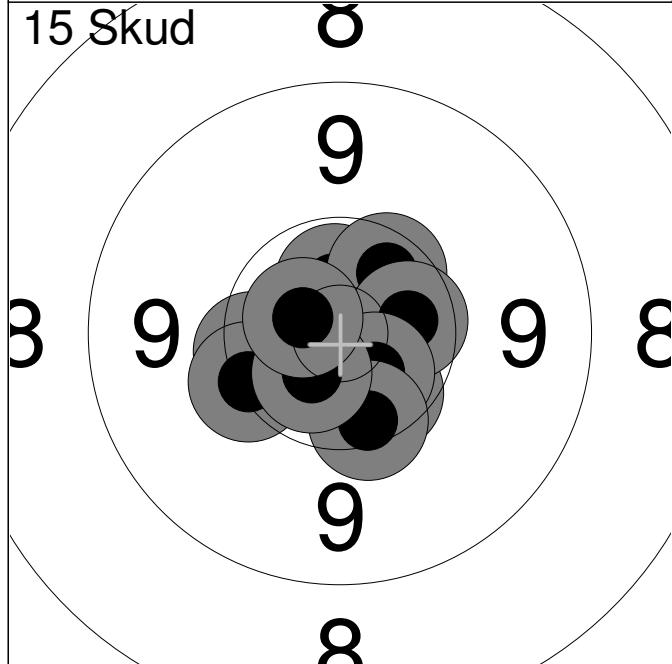
	1:	10.2	↗
	2:	10.2	↗
	3:	9.8	→
	4:	10.4	↗
	5:	10.1	↗
	6:	10.4	→
	7:	9.2	→
	8:	9.7	↑
	9:	8.3	↗
	10:	10.0	↗
Serie			95.0
Total			95.0



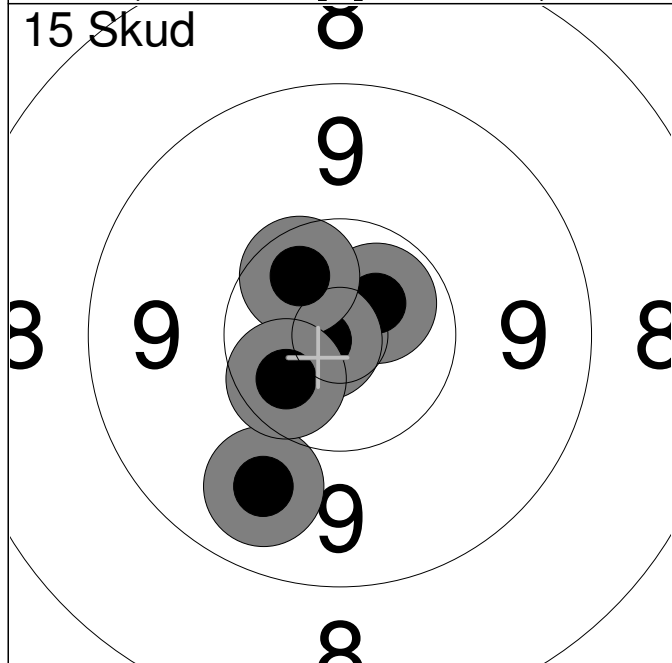
	11:	*10.7	↖
	12:	9.8	↓
	13:	*10.4	↙
	14:	9.4	↙
	15:	10.1	↓
Serie			48.0
Total			143.0



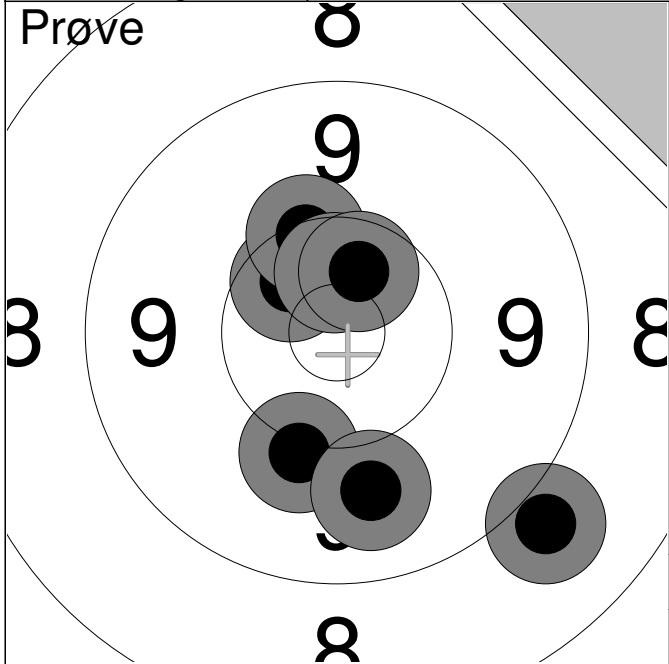
1:	9.5	↓
2:	9.7	↑
3:	10.1	↗
4:	9.6	↓
5:	10.1	↗
6:	10.0	↓
7:	*10.6	→
8:	9.9	↓
9:	*10.9	↓
10:	*10.6	↑
Serie		96.0
Total		0.0



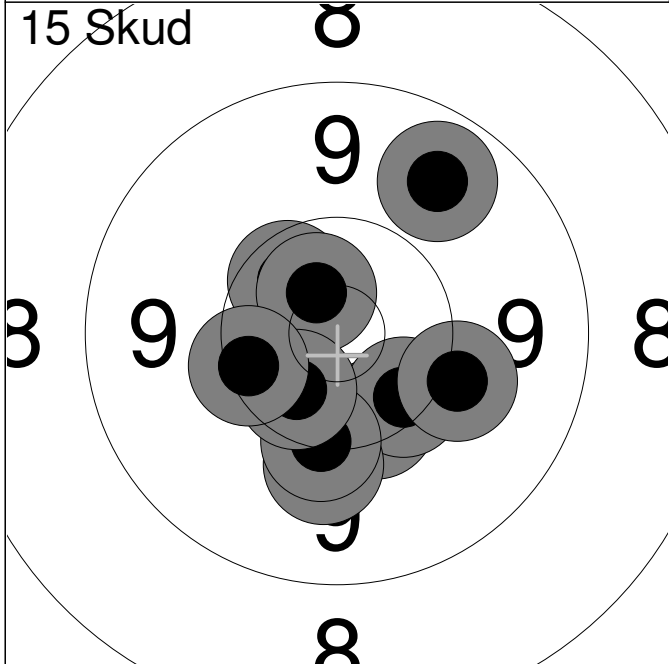
1:	*10.6	↑
2:	*10.4	↗
3:	*10.4	↓
4:	*10.5	→
5:	*10.6	↓
6:	10.3	←
7:	10.3	↓
8:	10.2	←
9:	*10.6	↙
10:	*10.7	↙
Serie		100.0
Total		100.0



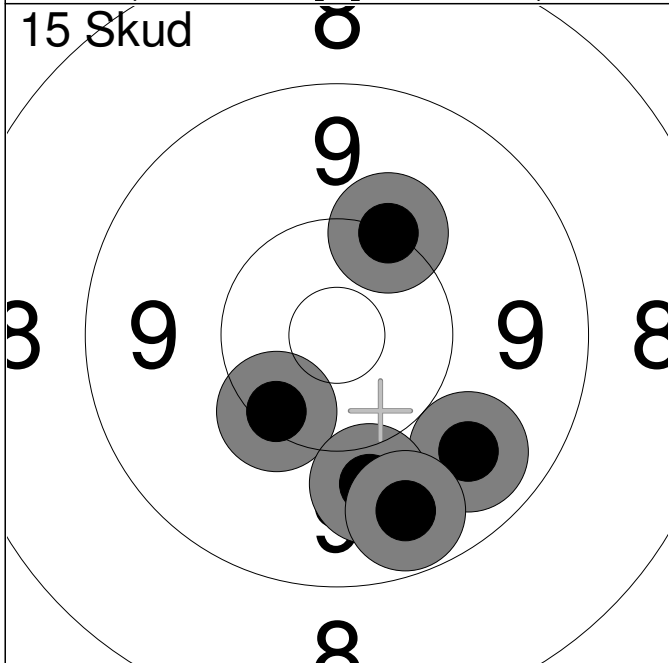
11:	*10.6	↗
12:	*10.8	←
13:	9.8	↓
14:	*10.5	↗
15:	*10.5	↙
Serie		49.0
Total		149.0



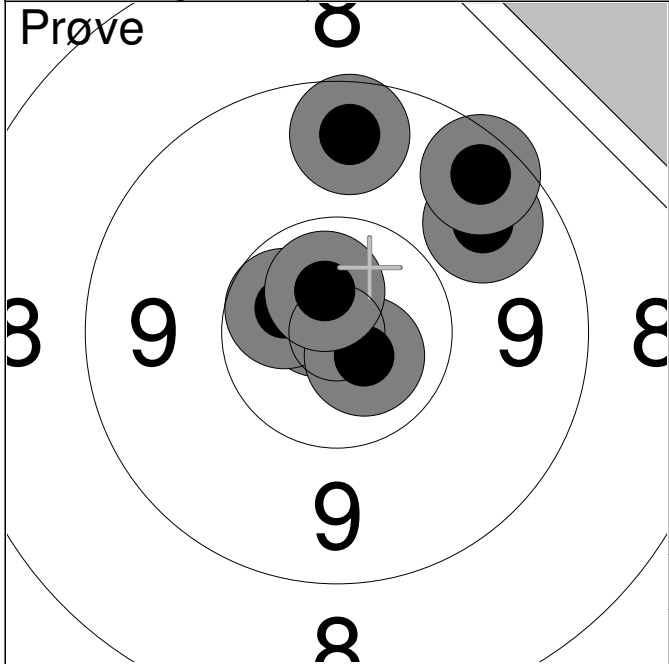
1:	*10.5	↗
2:	10.1	↘
3:	10.3	↗
4:	9.8	↘
5:	8.9	↘
6:	*10.5	↗
7:	*10.5	↗
Serie		67.0
Total		0.0



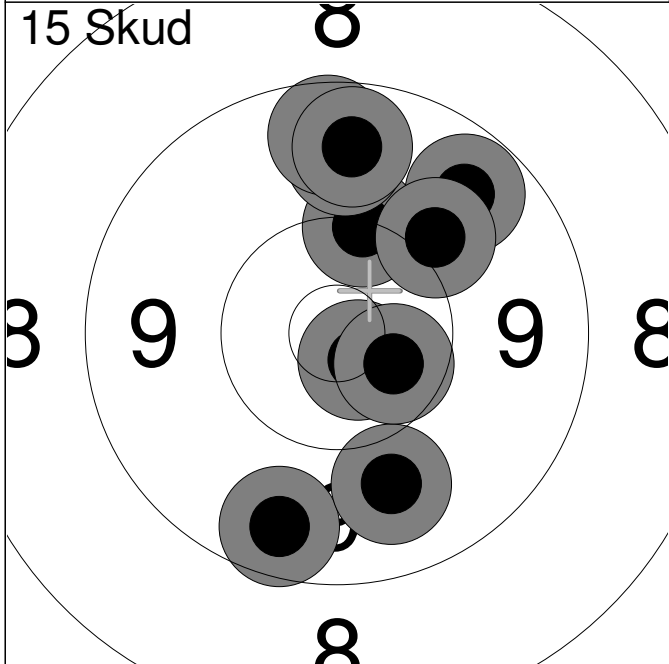
1:	*10.5	↗
2:	10.3	↘
3:	9.7	↗
4:	10.3	↘
5:	10.1	↘
6:	*10.6	↗
7:	10.1	↘
8:	10.2	↘
9:	*10.5	↘
10:	10.3	↙
Serie		99.0
Total		99.0



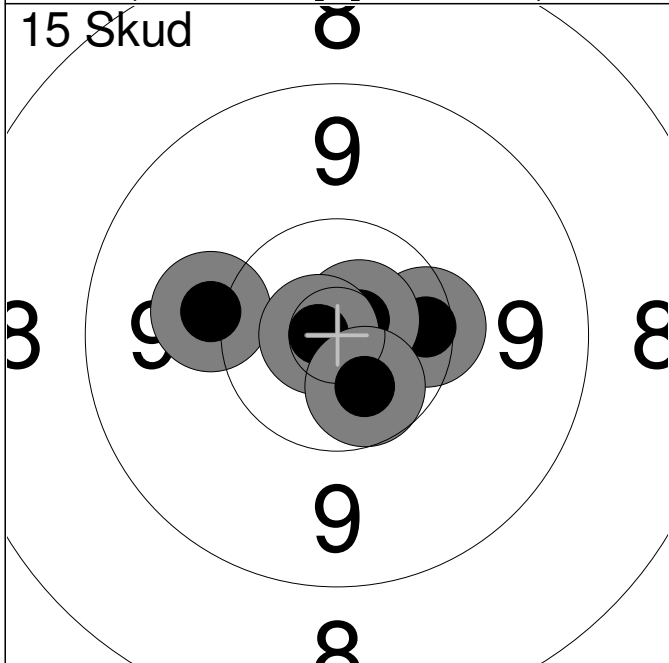
11:	9.7	↘
12:	10.2	↗
13:	10.3	↘
14:	9.9	↘
15:	9.6	↘
Serie		47.0
Total		146.0



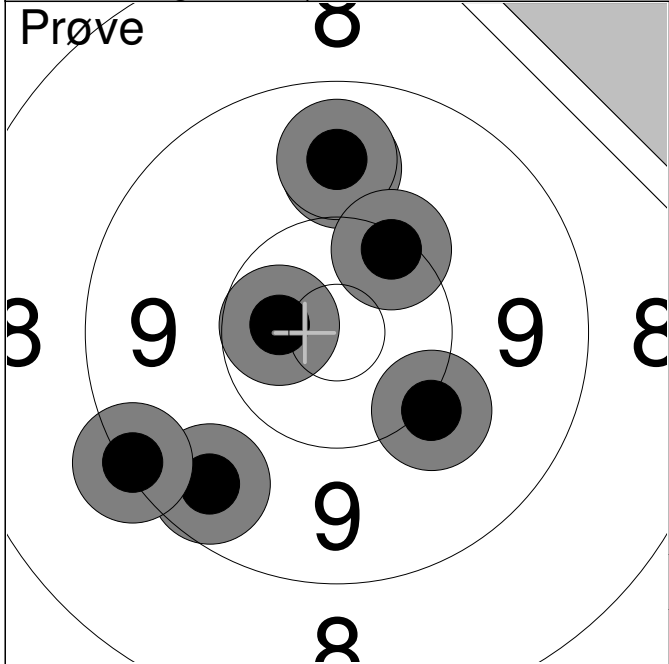
1:	9.7	↗
2:	9.6	↑
3:	*10.8	↖
4:	9.5	↗
5:	*10.6	↖
6:	*10.7	↘
7:	*10.7	↑
Serie		67.0
Total		0.0



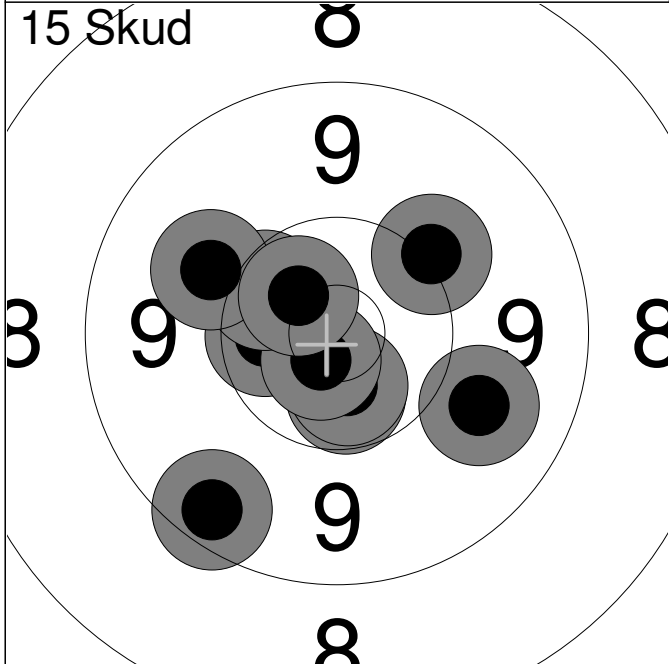
1:	9.6	↗
2:	10.2	↑
3:	9.5	↘
4:	9.8	↘
5:	*10.7	↘
6:	9.7	↑
7:	9.6	↑
8:	10.0	↗
9:	9.6	↑
10:	*10.5	↘
Serie		94.0
Total		94.0



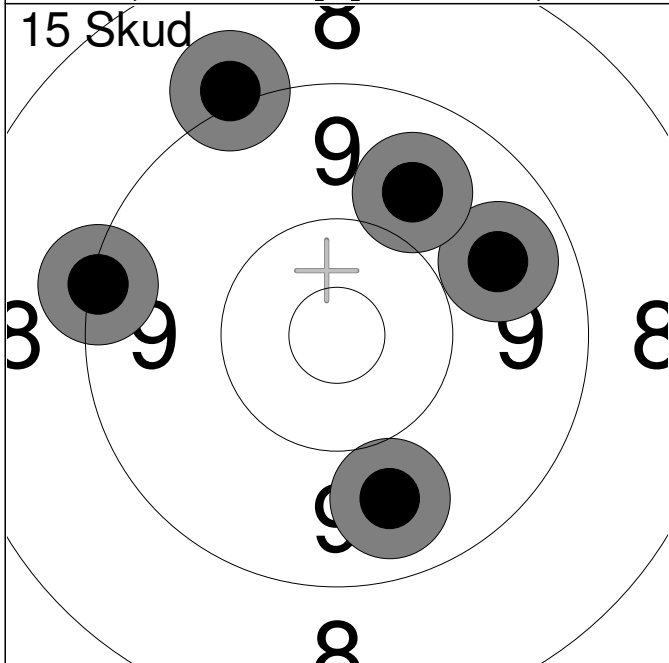
11:	10.1	←
12:	10.3	→
13:	*10.8	↗
14:	*10.8	←
15:	*10.6	↘
Serie		50.0
Total		144.0



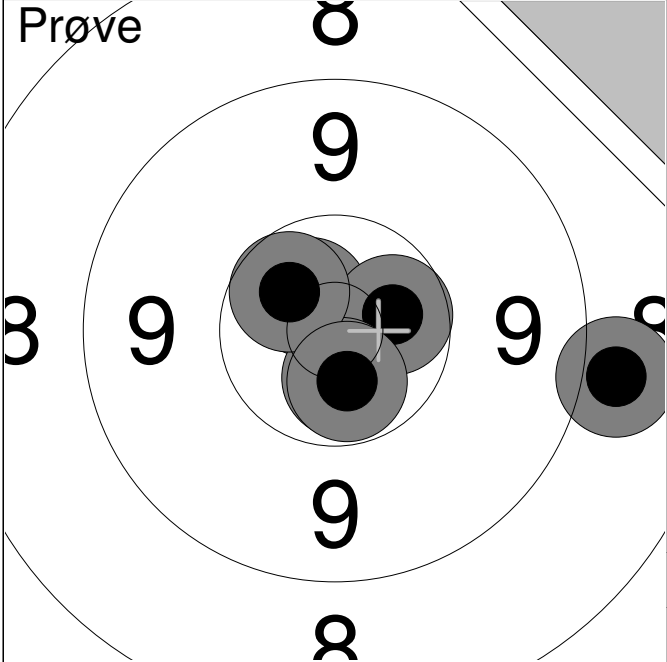
1:	9.6	↙
2:	9.2	↙
3:	9.8	↑
4:	9.8	↑
5:	10.1	↘
6:	*10.6	←
7:	10.3	↗
Serie		66.0
Total		0.0



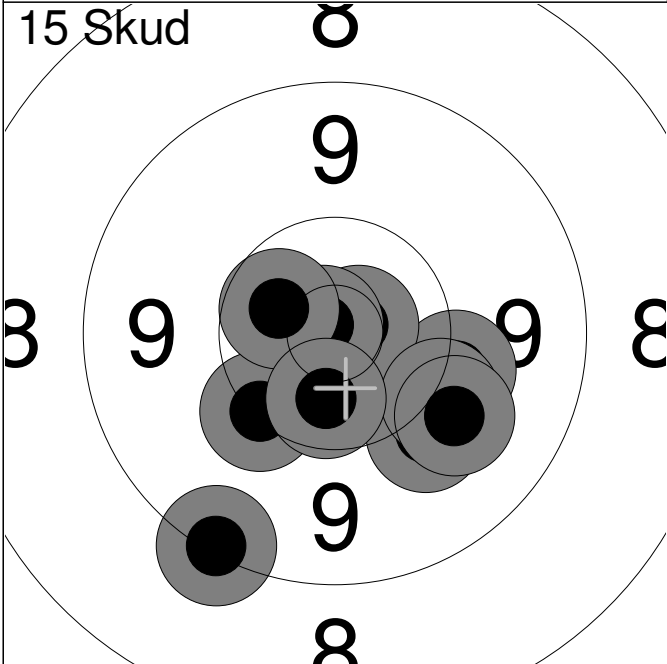
1:	10.1	↗
2:	9.4	↙
3:	*10.5	←
4:	*10.5	↓
5:	*10.6	↓
6:	*10.7	↙
7:	9.9	↘
8:	10.4	↗
9:	10.0	↗
10:	*10.6	↗
Serie		98.0
Total		98.0



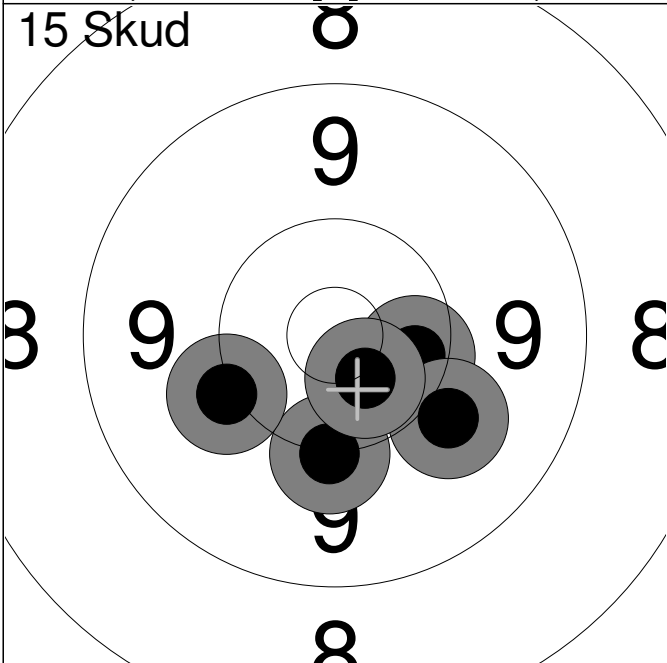
11:	9.8	↓
12:	9.7	↗
13:	9.2	←
14:	9.8	↗
15:	9.1	↗
Serie		45.0
Total		143.0



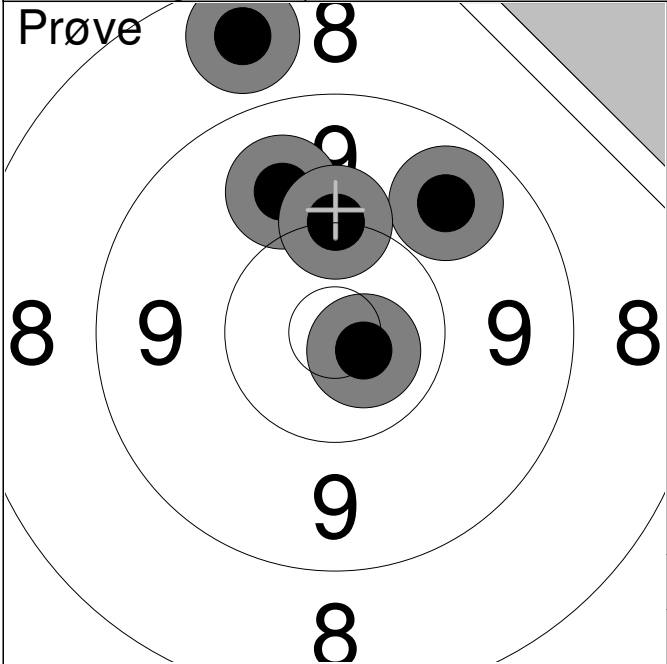
1:	8.9	→
2:	*10.7	↗
3:	*10.5	→
4:	*10.6	↘
5:	*10.5	↗
6:	*10.6	↘
Serie		58.0
Total		0.0



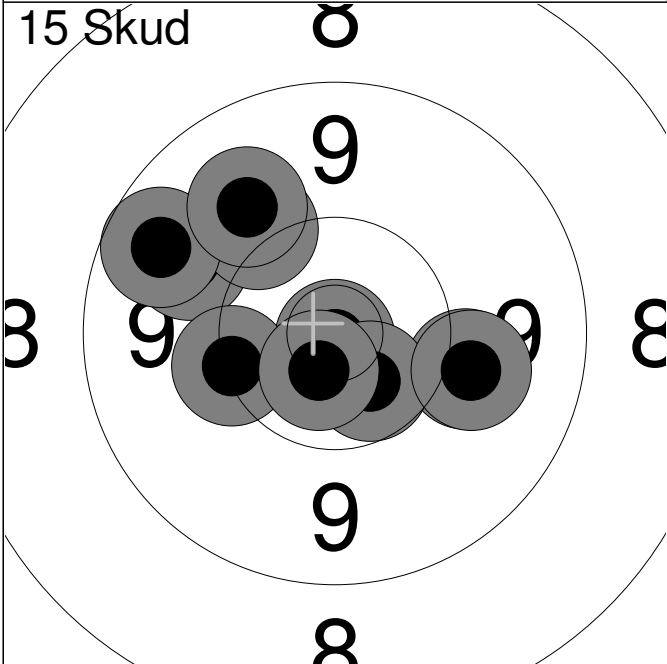
1:	10.1	→
2:	10.0	↘
3:	*10.8	→
4:	10.1	↘
5:	10.2	↘
6:	10.0	↘
7:	9.2	↘
8:	*10.9	↗
9:	*10.5	↗
10:	*10.5	↘
Serie		99.0
Total		99.0



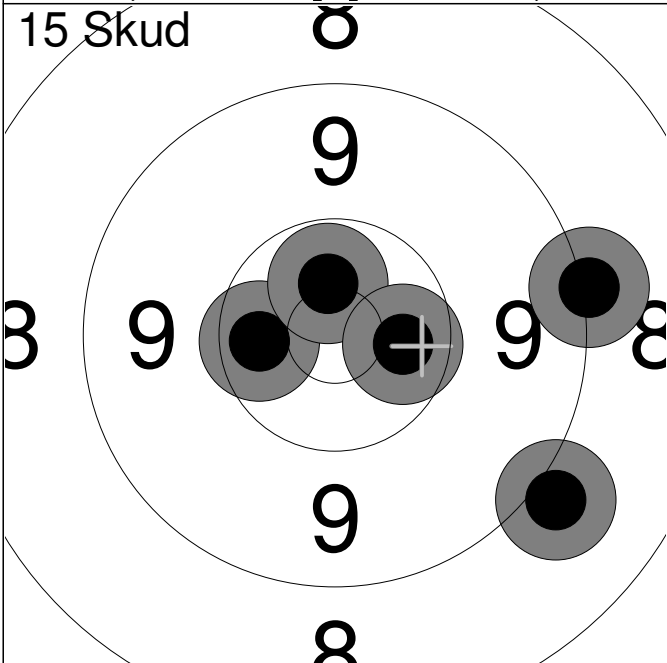
11:	10.1	↘
12:	10.4	→
13:	10.1	↖
14:	10.0	↘
15:	*10.6	↘
Serie		50.0
Total		149.0



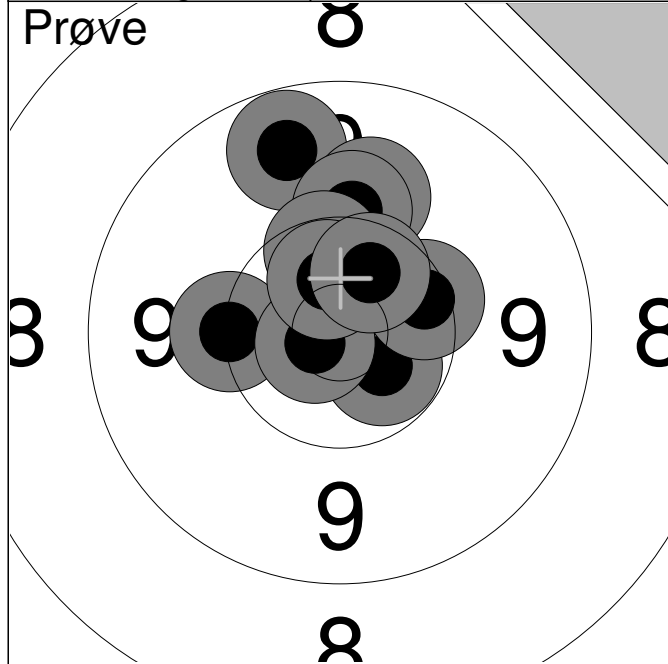
	1:	9.7	↗
	2:	9.9	↑
	3:	8.6	↑
	4:	10.2	↑
	5:	*10.7	↘
Serie			46.0
Total			0.0



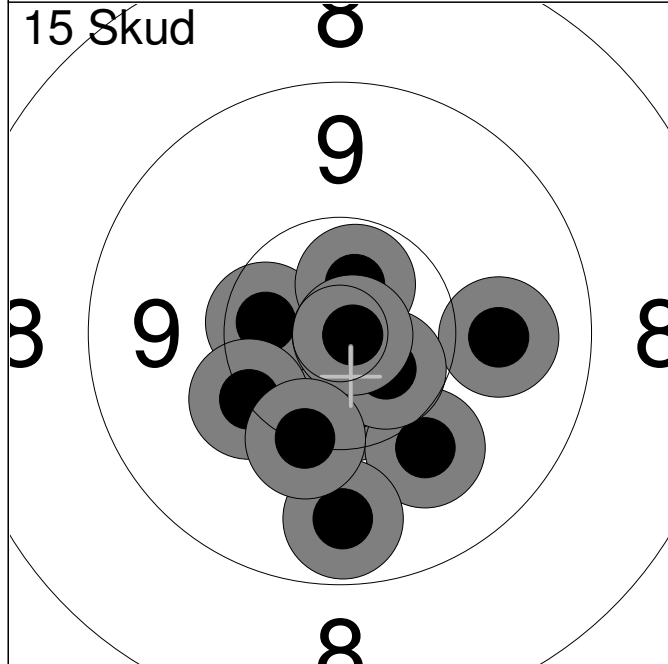
	1:	*10.9	↓
	2:	9.8	↑
	3:	10.1	↑
	4:	9.6	↑
	5:	9.9	↑
	6:	10.0	↓
	7:	*10.5	↓
	8:	10.0	↓
	9:	10.2	←
	10:	*10.7	↓
Serie			97.0
Total			97.0



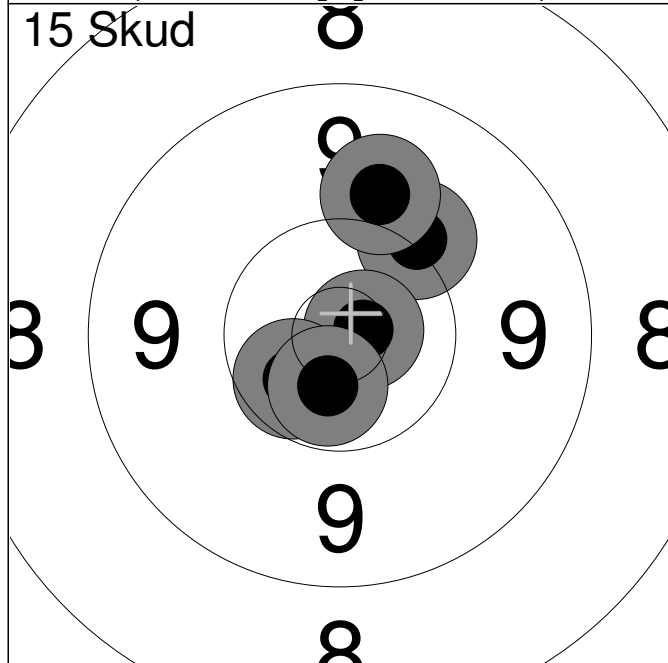
	11:	9.0	↘
	12:	*10.4	←
	13:	9.1	→
	14:	*10.6	↑
	15:	*10.5	→
Serie			48.0
Total			145.0



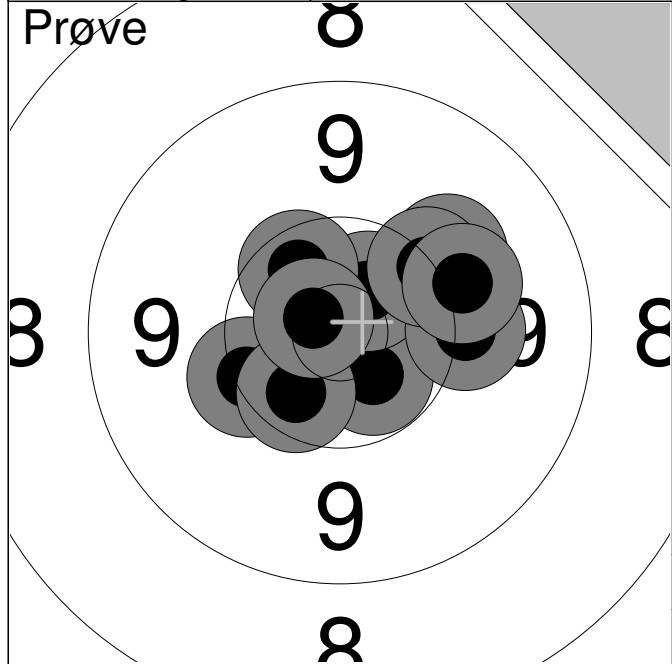
1:	9.6	↑
2:	10.0	↑
3:	10.2	←
4:	*10.6	↘
5:	10.1	↑
6:	10.3	→
7:	10.4	↑
8:	*10.8	←
9:	*10.6	↑
10:	*10.5	↗
Serie		99.0
Total		0.0



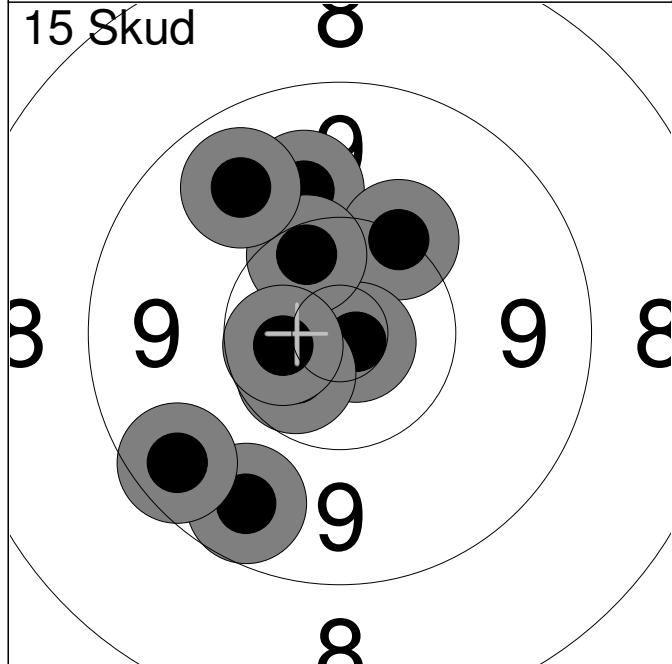
1:	9.9	→
2:	*10.5	↓
3:	10.0	↓
4:	9.7	↓
5:	*10.4	←
6:	*10.6	↑
7:	*10.6	↘
8:	*10.9	→
9:	10.2	↙
10:	10.2	↓
Serie		98.0
Total		98.0



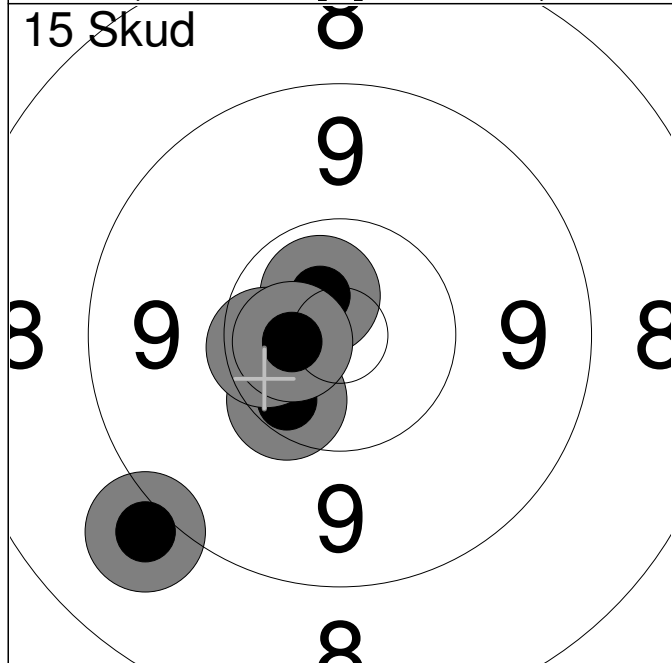
11:	10.1	↗
12:	10.0	↑
13:	*10.8	→
14:	*10.5	↙
15:	*10.6	↓
Serie		50.0
Total		148.0



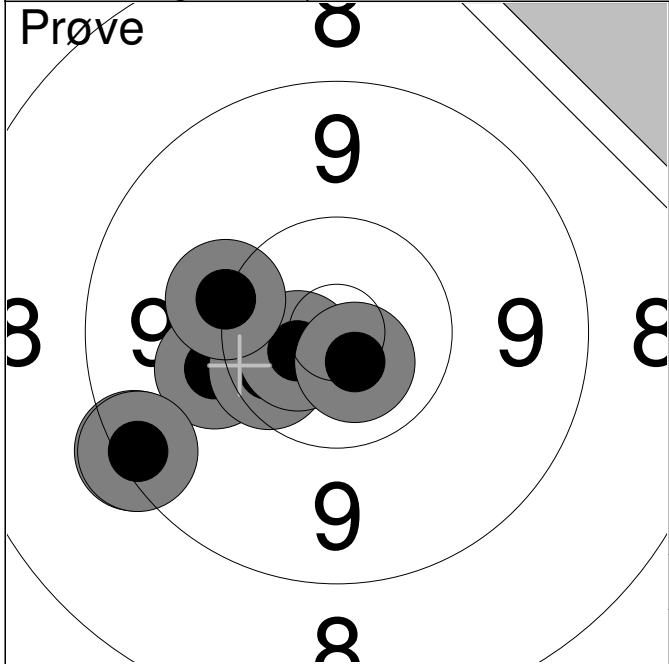
1:	10.2	←
2:	*10.6	↘
3:	*10.6	↗
4:	10.1	→
5:	10.0	↗
6:	10.2	↗
7:	10.0	↗
8:	*10.4	↗
9:	*10.4	↘
10:	*10.7	↖
Serie		100.0
Total		0.0



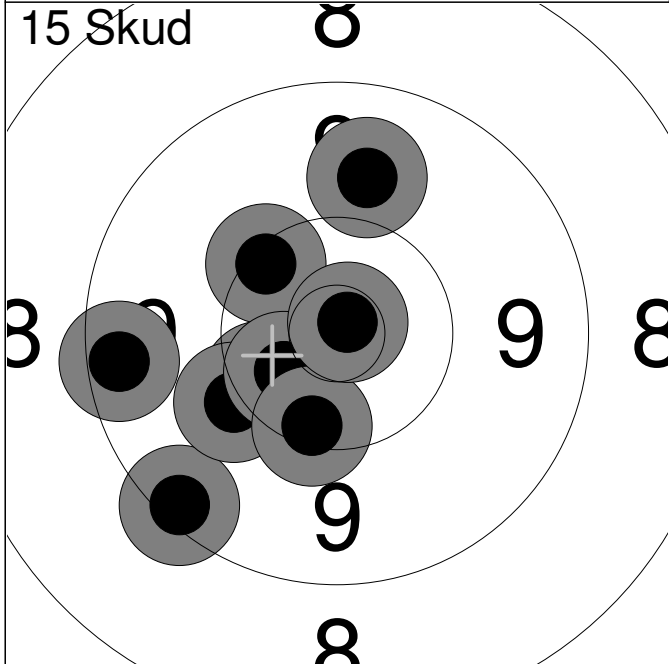
1:	*10.7	←
2:	9.9	↗
3:	10.2	↗
4:	*10.8	↘
5:	10.4	↗
6:	9.6	↘
7:	*10.5	↘
8:	9.7	↗
9:	9.5	↘
10:	*10.6	←
Serie		96.0
Total		96.0



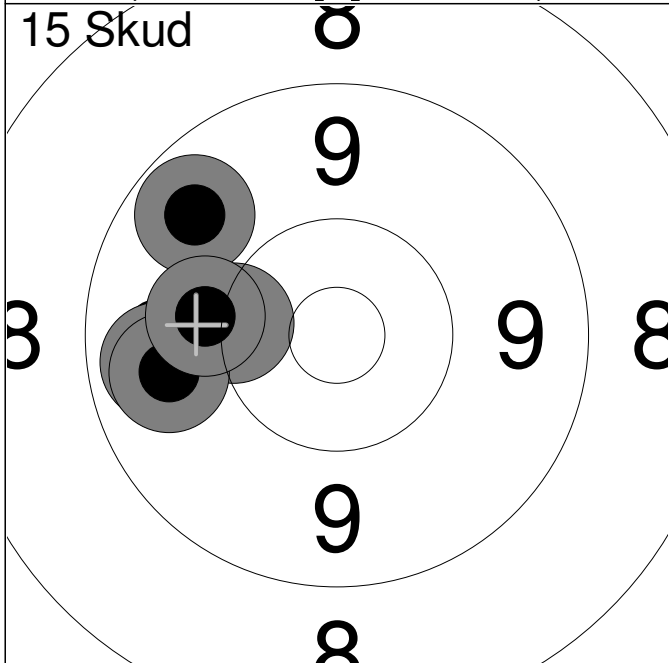
11:	*10.6	↗
12:	9.0	↘
13:	10.4	↘
14:	*10.4	←
15:	*10.6	←
Serie		49.0
Total		145.0



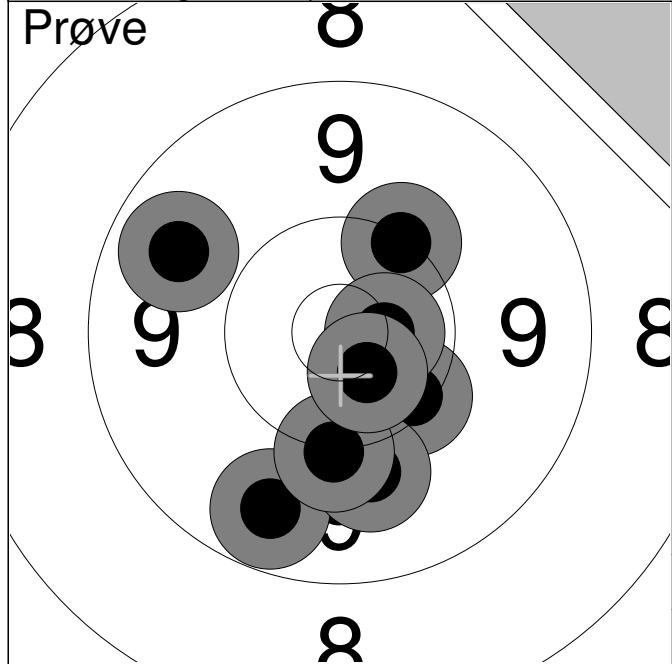
1:	10.3	←
2:	10.1	←
3:	9.3	←
4:	*10.4	←
5:	*10.7	←
6:	*10.7	↘
7:	9.3	←
8:	10.2	←
Serie		78.0
Total		0.0



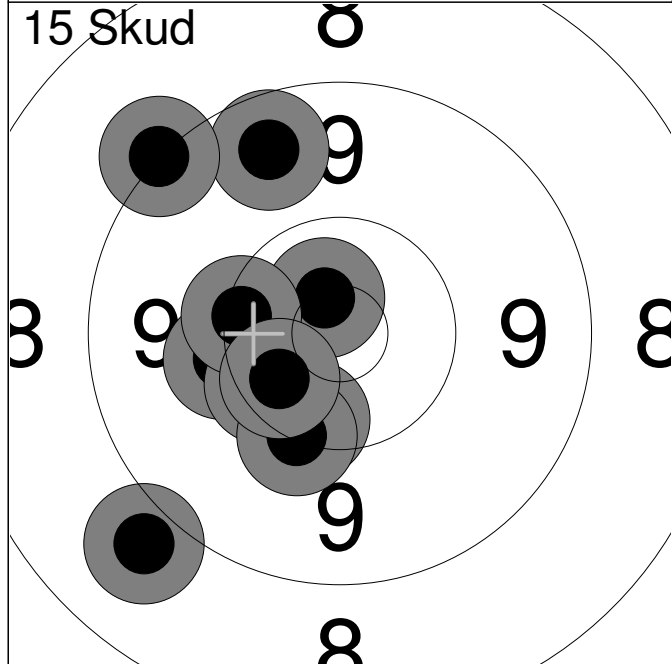
1:	*10.5	↙
2:	10.3	↗
3:	9.4	←
4:	9.9	↑
5:	9.3	↙
6:	10.3	↙
7:	10.1	↙
8:	*10.5	↙
9:	10.3	↘
10:	*10.8	↗
Serie		97.0
Total		97.0



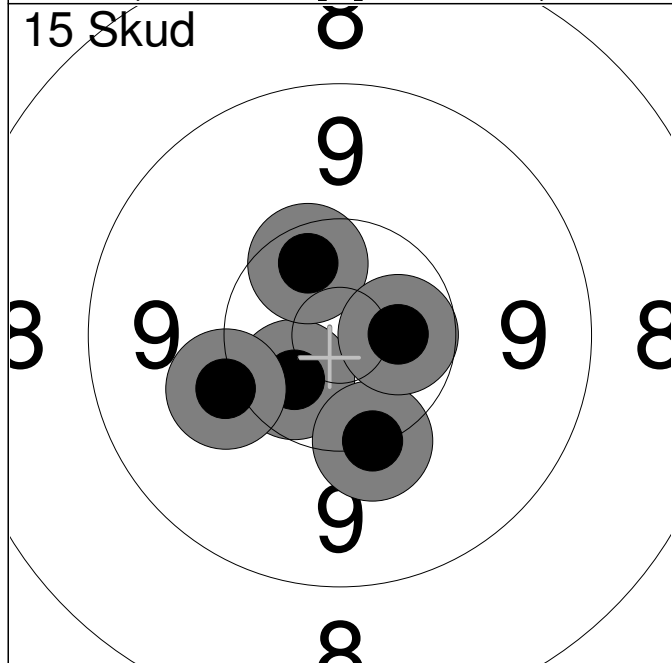
11:	9.7	←
12:	9.7	↗
13:	10.2	←
14:	9.8	←
15:	10.0	←
Serie		47.0
Total		144.0



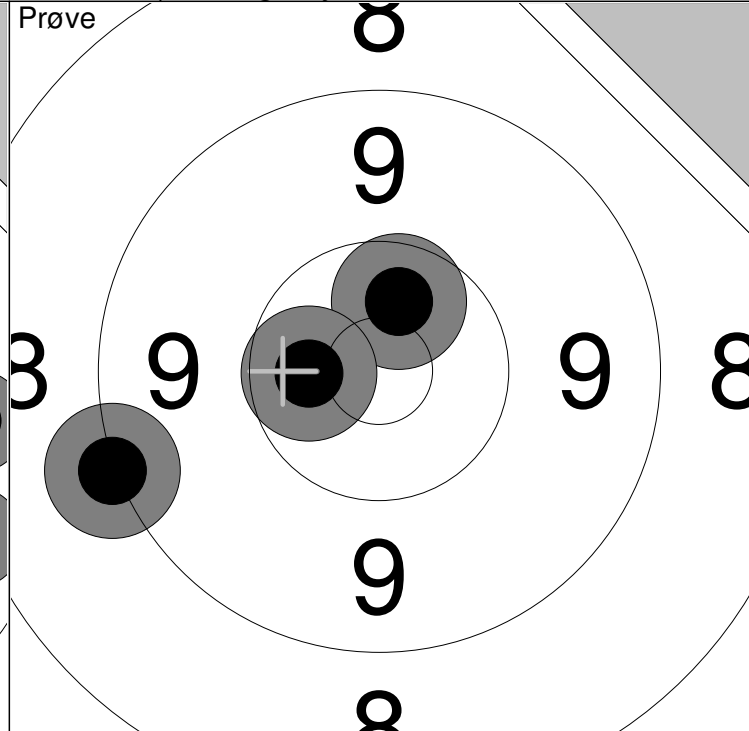
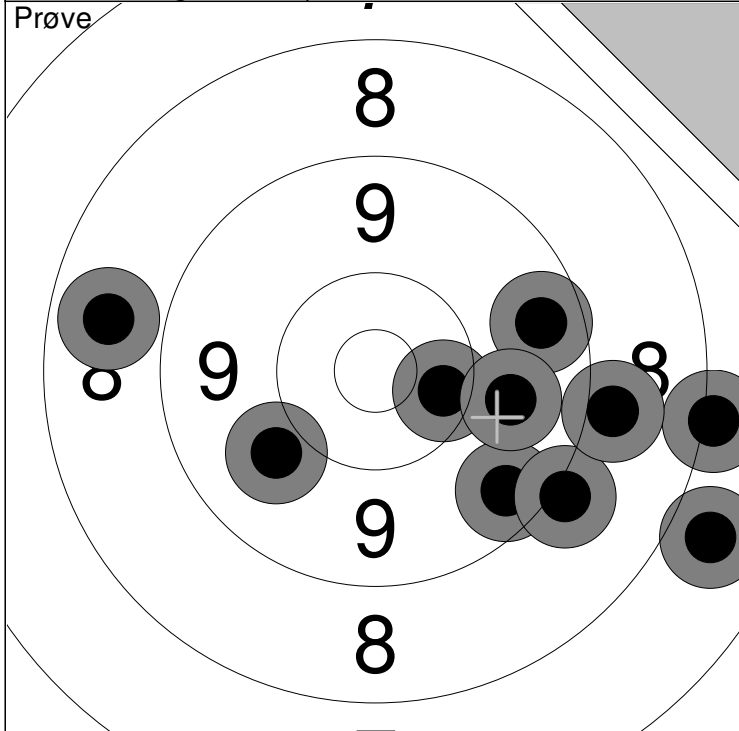
1:	10.3	↘
2:	9.6	↘
3:	10.0	↘
4:	10.2	↗
5:	9.7	↗
6:	*10.6	→
7:	10.1	↘
8:	*10.6	↘
Serie		78.0
Total		0.0



1:	10.1	←
2:	10.3	↘
3:	9.6	↗
4:	*10.7	↗
5:	10.3	↘
6:	10.3	←
7:	9.2	↗
8:	8.9	↘
9:	10.2	↘
10:	*10.4	↙
Serie		96.0
Total		96.0

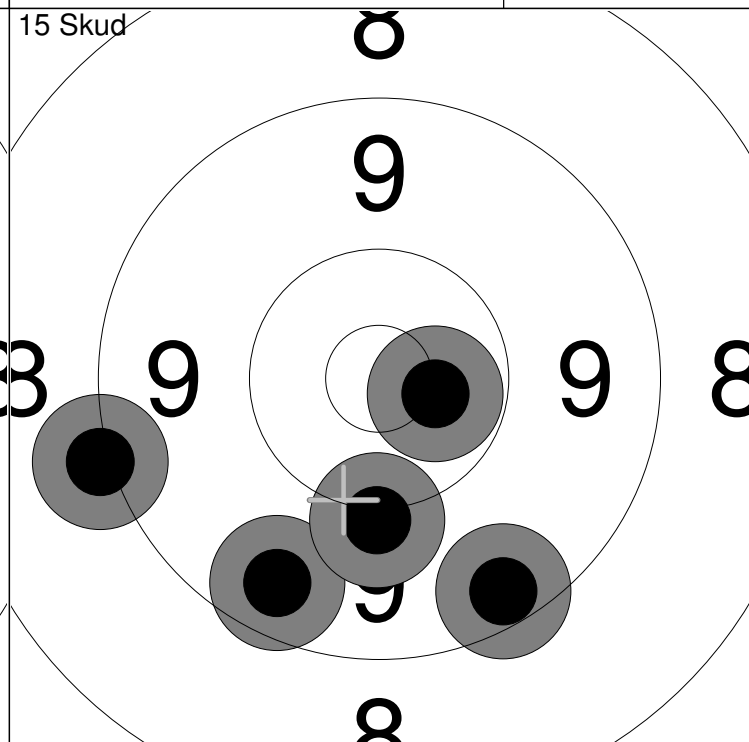
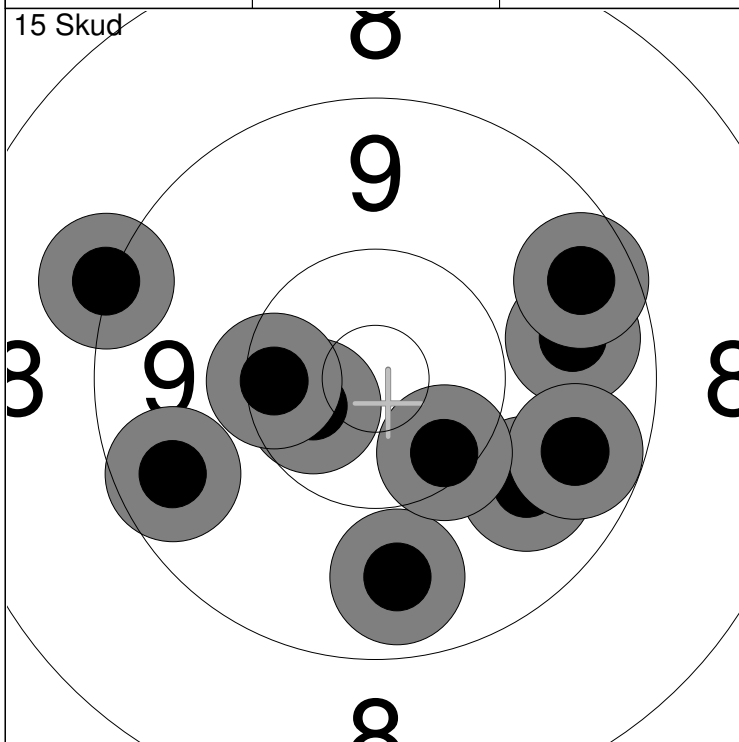


11:	*10.5	↙
12:	*10.4	↗
13:	10.1	↙
14:	10.2	↘
15:	*10.6	→
Serie		50.0
Total		146.0



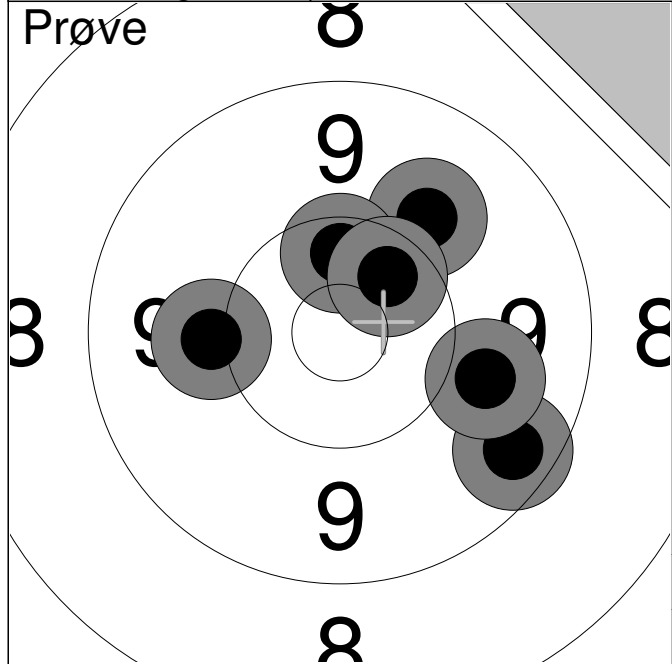
1: 9.5 →	6: 7.8 ↘	Serie	87.0
2: 10.4 →	7: 9.9 ↙		
3: 8.1 →	8: 9.1 ↘	Total	0.0
4: 8.7 ←	9: 9.8 →		
5: 9.5 ↘	10: 9.0 →		

11: 9.2 ←	Serie	29.0
12: *10.5 ↑		
13: *10.5 ←	Total	0.0

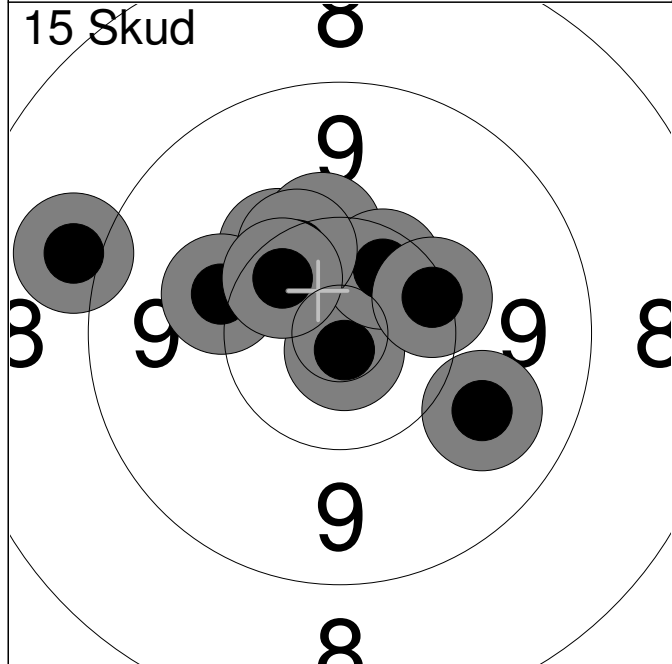


1: 9.6 ←	6: 9.6 →	Serie	93.0
2: 9.7 ↓	7: *10.5 ←		
3: 9.7 →	8: 10.3 ←	Total	93.0
4: 9.8 ↘	9: 9.1 ←		
5: 9.5 →	10: 10.3 ↘		

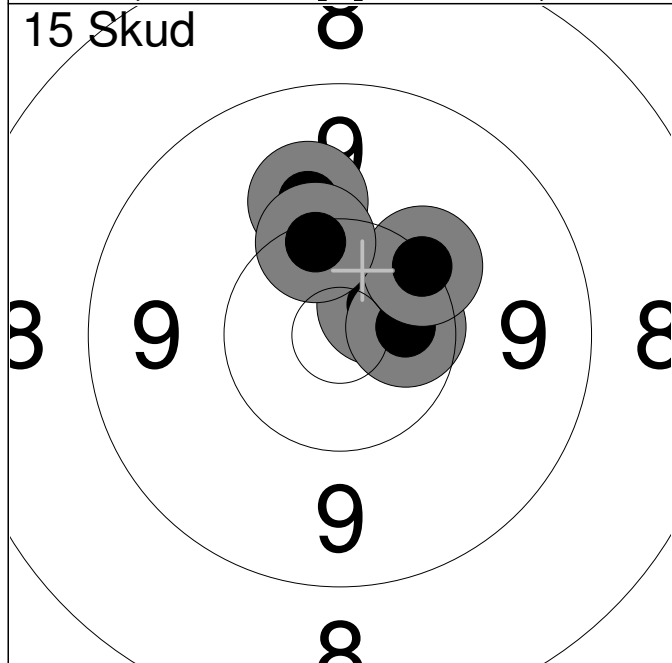
11: *10.6 →	Serie	47.0
12: 9.1 ←		
13: 9.5 ↘	Total	140.0
14: 9.4 ↘		
15: 10.1 ↓		



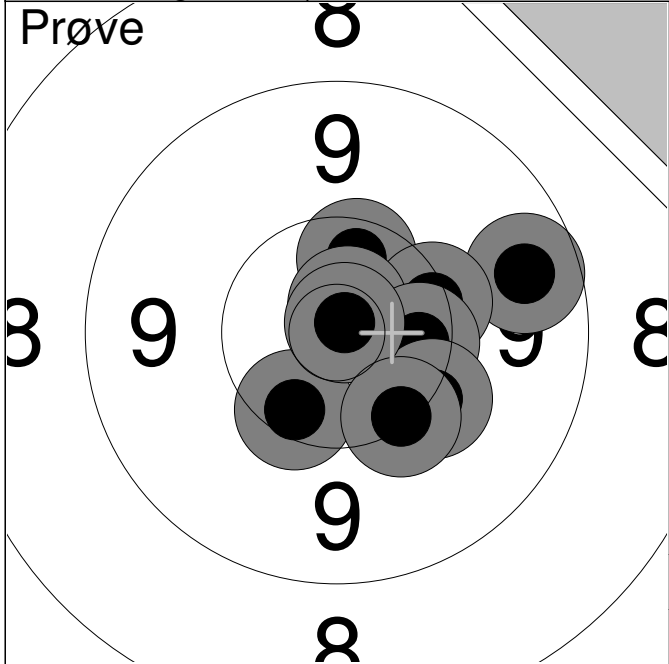
1:	9.5	↘
2:	9.9	→
3:	10.0	↗
4:	10.4	↑
5:	10.1	←
6:	*10.5	↗
Serie		58.0
Total		0.0



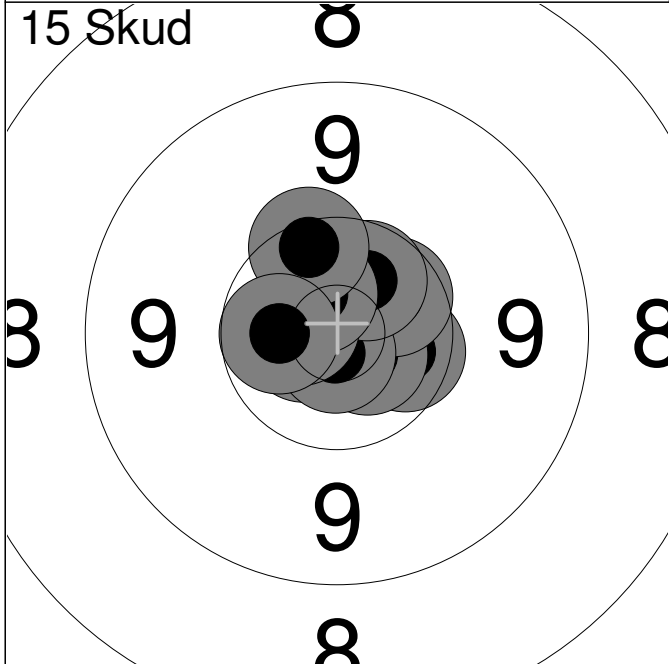
1:	10.2	↗
2:	10.1	↗
3:	9.0	↗
4:	10.3	↑
5:	*10.8	↘
6:	*10.4	↗
7:	9.8	↘
8:	10.3	↗
9:	10.3	↗
10:	10.4	↗
Serie		98.0
Total		98.0



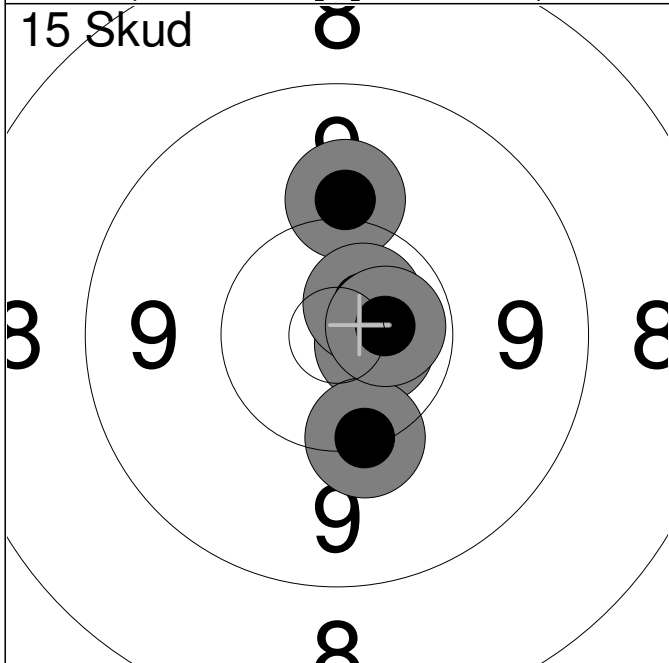
11:	*10.6	↗
12:	*10.5	→
13:	10.0	↑
14:	10.2	↗
15:	10.3	↑
Serie		50.0
Total		148.0



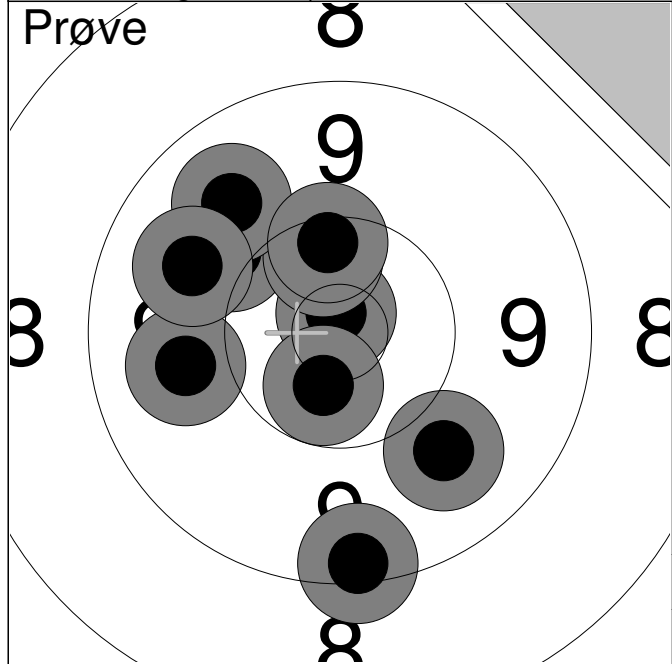
1:	*10.4	↑
2:	9.6	→
3:	10.3	→
4:	*10.8	↑
5:	10.4	→
6:	10.2	↓
7:	10.4	↓
8:	*10.9	↑
9:	10.2	↓
Serie		89.0
Total		0.0



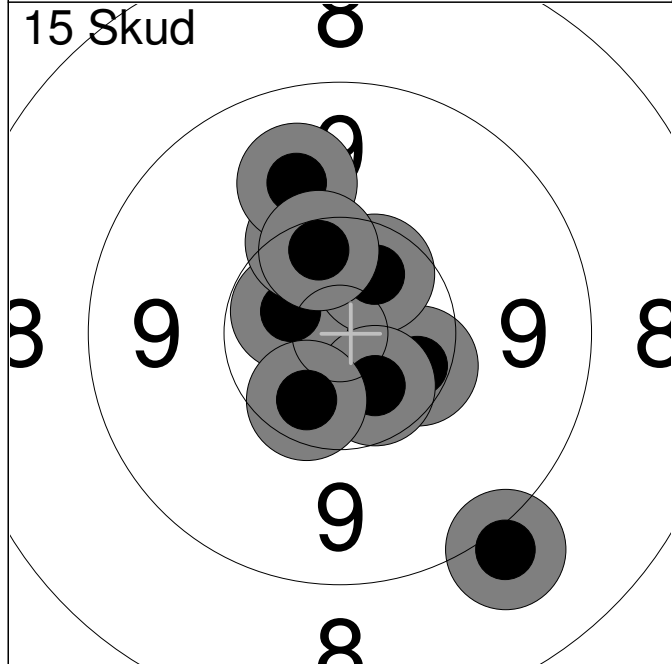
1:	*10.5	→
2:	*10.7	↓
3:	*10.5	↑
4:	*10.7	←
5:	*10.8	↓
6:	*10.5	↑
7:	*10.7	←
8:	*10.7	↑
9:	10.3	↑
10:	*10.6	←
Serie		100.0
Total		100.0



11:	10.0	↑
12:	*10.7	→
13:	10.2	↓
14:	*10.7	↑
15:	*10.6	→
Serie		50.0
Total		150.0



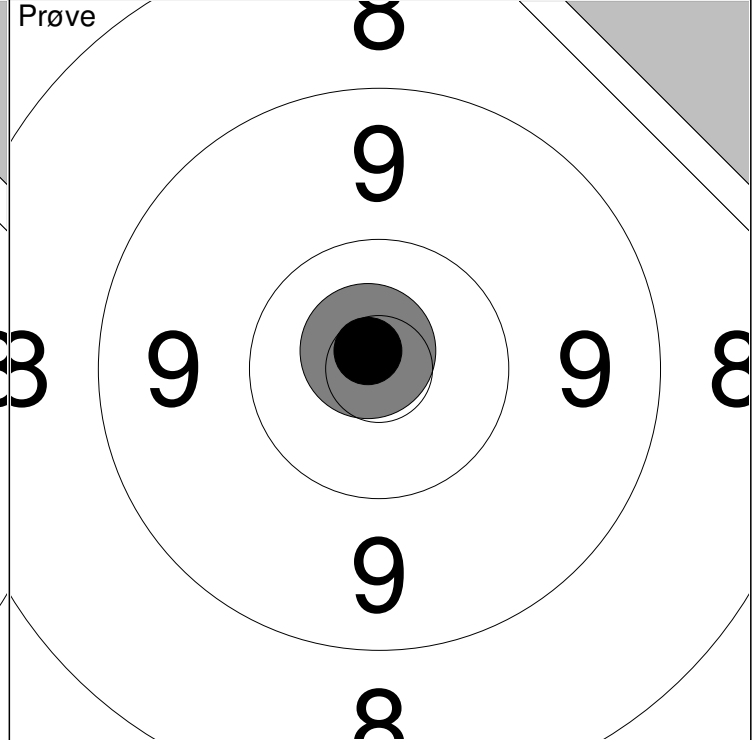
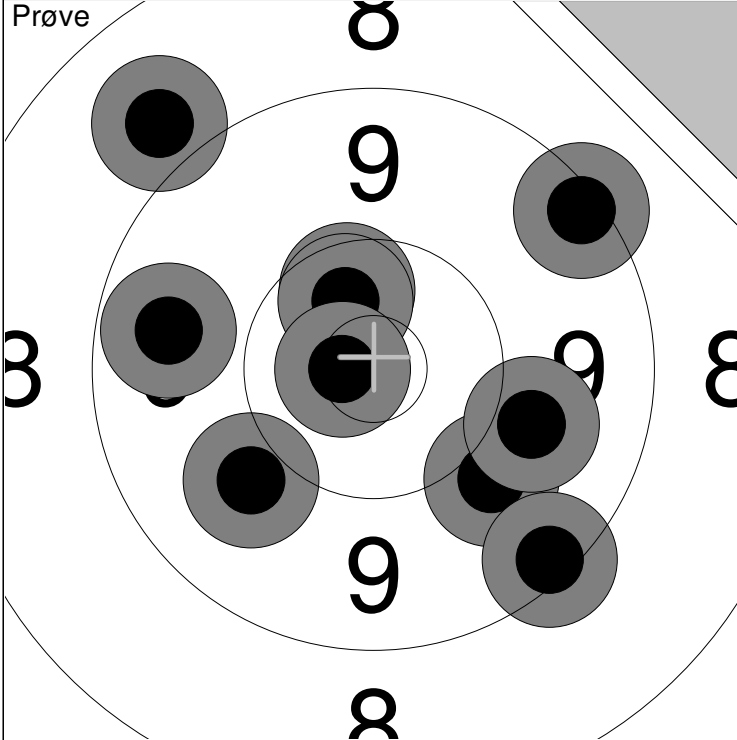
1:	10.0	↗
2:	*10.8	↗
3:	9.9	↘
4:	*10.4	↗
5:	9.8	↗
6:	9.9	↖
7:	*10.6	↘
8:	9.3	↘
9:	9.8	↗
10:	10.3	↗
Serie		95.0
Total		0.0



1:	*10.9	↘
2:	10.4	↘
3:	*10.6	↗
4:	9.0	↘
5:	*10.5	↗
6:	10.3	↗
7:	9.9	↗
8:	*10.5	↘
9:	10.4	↗
10:	*10.4	↘
Serie		98.0
Total		98.0

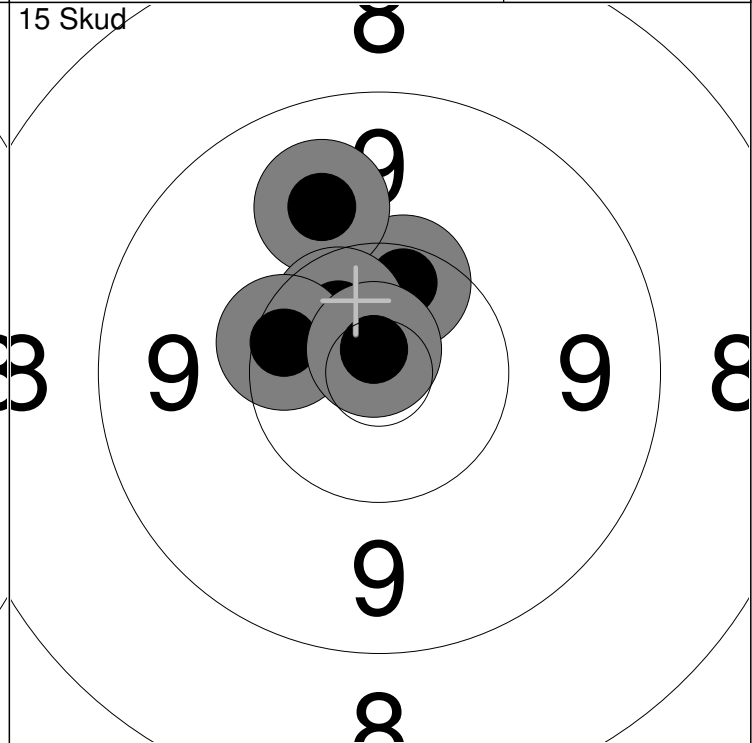
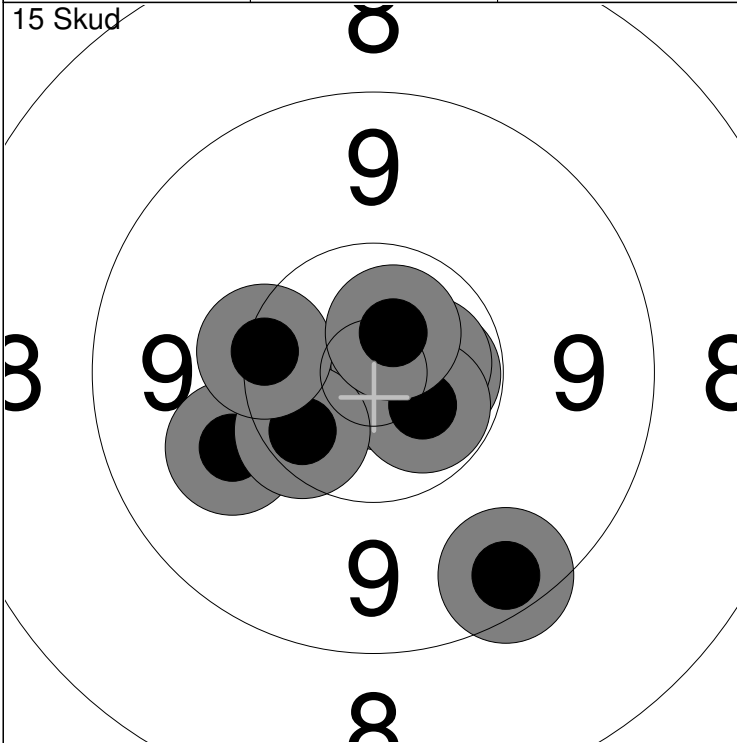


11:	*10.5	↗
12:	*10.8	↘
13:	*10.7	↗
14:	*10.8	↘
15:	10.2	↘
Serie		50.0
Total		148.0



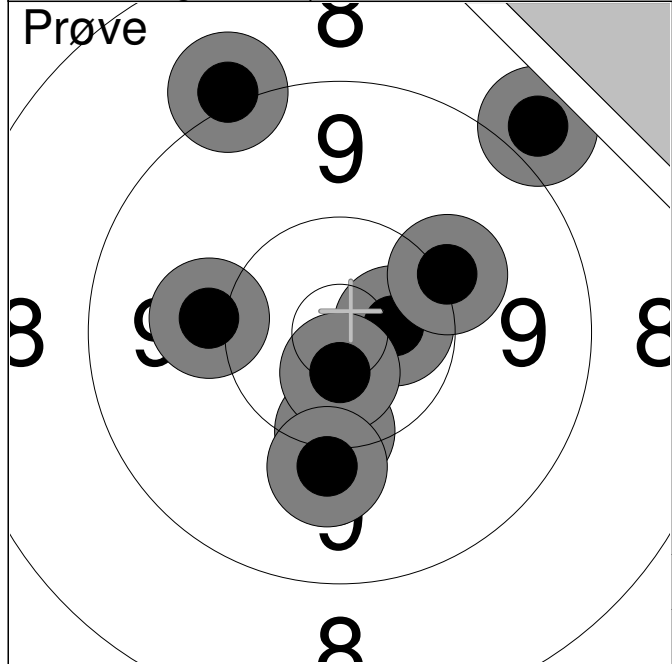
1: 10.0 ↘	6: *10.5 ↗	Serie	93.0
2: 9.9 →	7: *10.8 ←		Total
3: 9.3 ↘	8: 9.9 ↘		
4: *10.4 ↗	9: 8.9 ↗		
5: 9.3 ↗	10: 9.7 ←		

11: *10.8 ↗	Serie	10.0
		Total

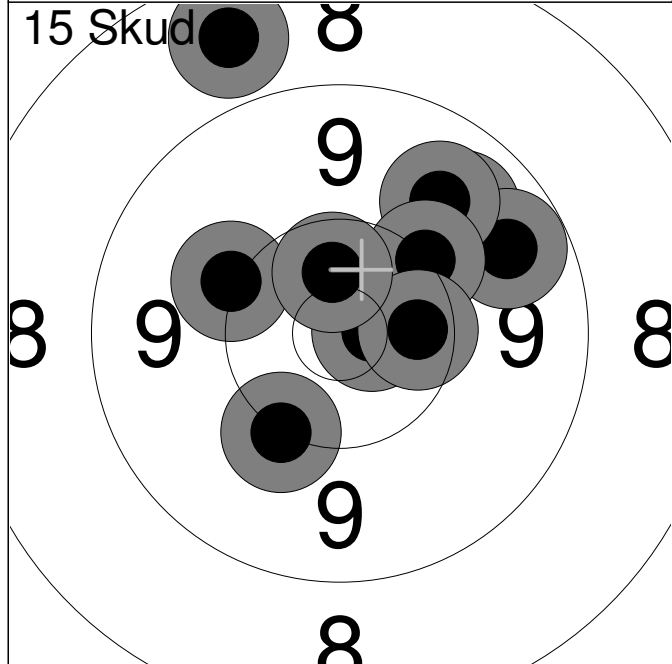


1: *10.6 →	6: 10.0 ←	Serie	99.0
2: *10.9 ↘	7: *10.6 ↘		Total
3: 9.4 ↘	8: 10.4 ←		
4: *10.8 ↗	9: 10.3 ←		
5: *10.6 →	10: *10.7 ↗		

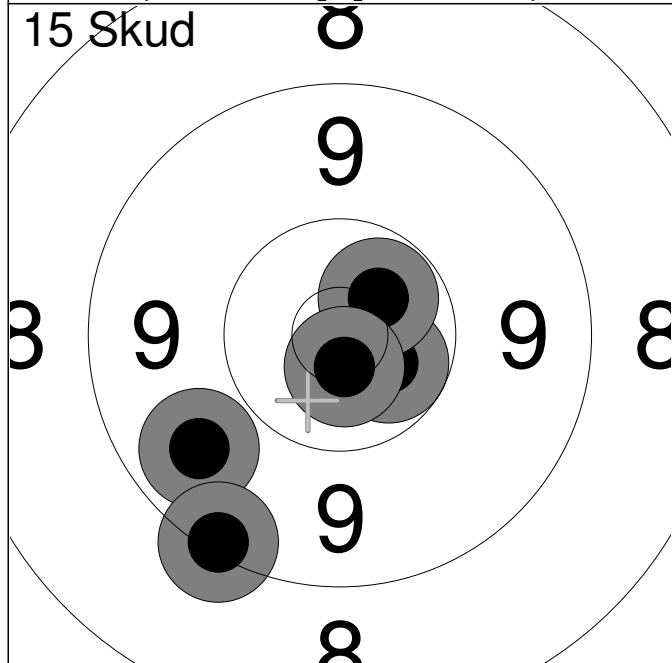
11: 10.4 ↗	Serie	49.0
12: 9.9 ↗		Total
13: *10.5 ↗		
14: 10.3 ←		
15: *10.8 ↗		



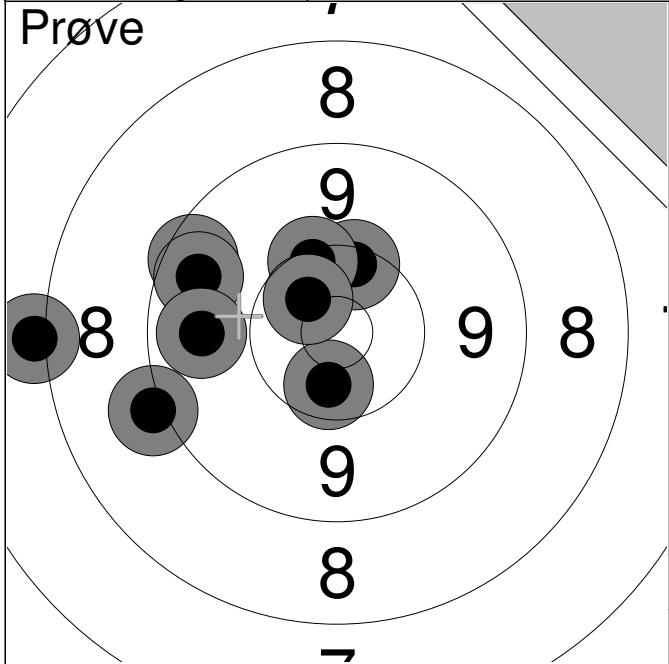
1:	9.1	↖
2:	8.9	↗
3:	10.0	↙
4:	10.3	↓
5:	*10.6	→
6:	*10.7	↓
7:	10.0	↓
8:	10.1	↗
Serie		77.0
Total		0.0



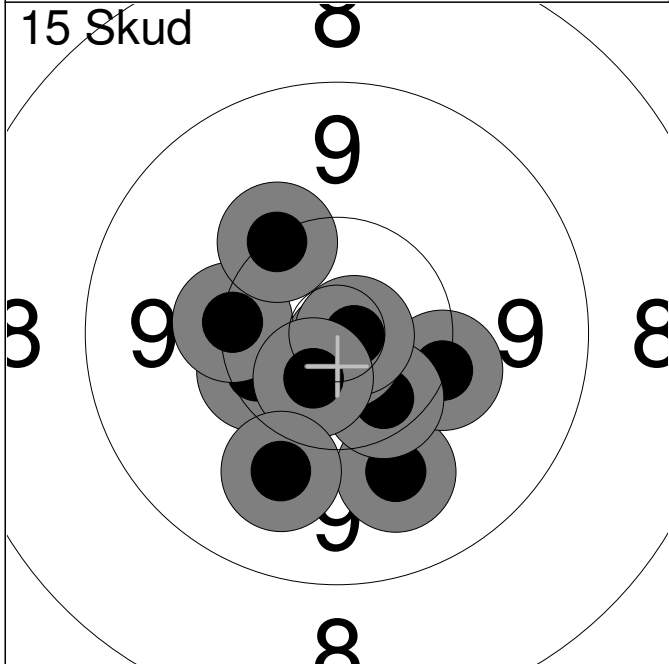
1:	*10.7	→
2:	9.7	↗
3:	9.6	↗
4:	10.2	↘
5:	9.8	↗
6:	8.7	↖
7:	10.2	↗
8:	10.4	→
9:	10.1	↖
10:	*10.5	↑
Serie		95.0
Total		95.0



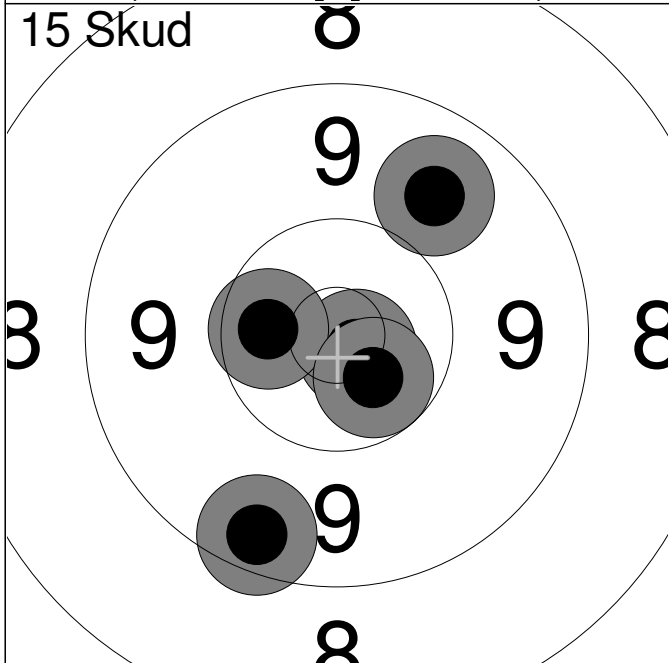
11:	*10.6	↘
12:	9.7	↙
13:	9.3	↘
14:	*10.6	↗
15:	*10.7	↓
Serie		48.0
Total		143.0



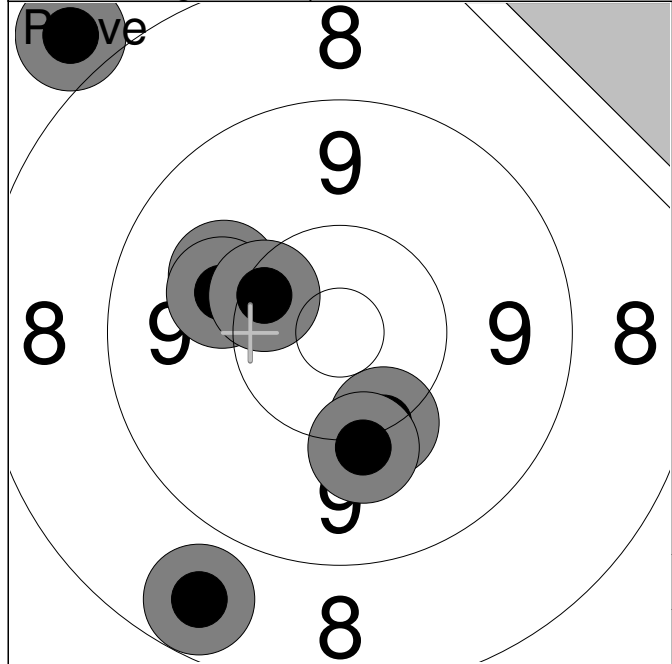
1:	9.1	←
2:	8.1	←
3:	9.4	↗
4:	9.6	↗
5:	10.3	↗
6:	9.7	←
7:	10.3	↗
8:	*10.5	↘
9:	*10.6	↗
Serie		84.0
Total		0.0



1:	9.9	↘
2:	10.2	↘
3:	10.4	↘
4:	10.3	←
5:	*10.8	↘
6:	10.2	↗
7:	*10.8	↗
8:	10.2	↗
9:	*10.6	↘
10:	9.9	↘
Serie		98.0
Total		98.0

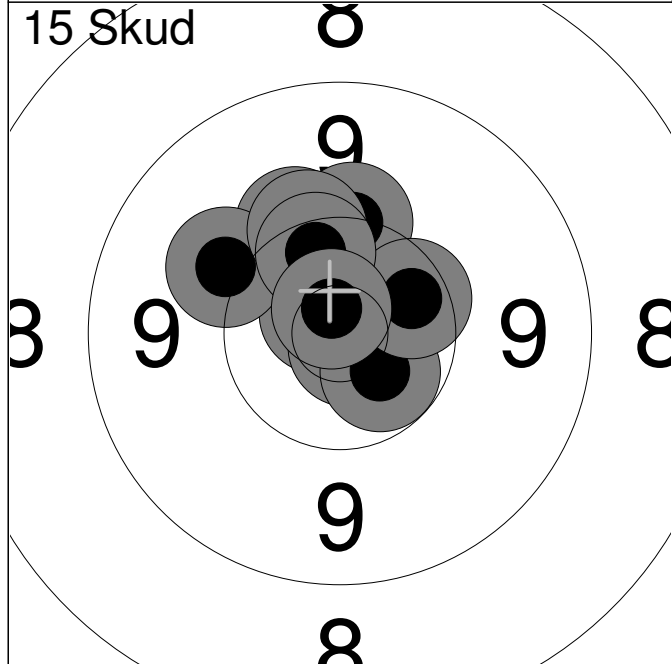


11:	9.8	↗
12:	*10.8	↘
13:	*10.5	←
14:	*10.6	↘
15:	9.4	↘
Serie		48.0
Total		146.0



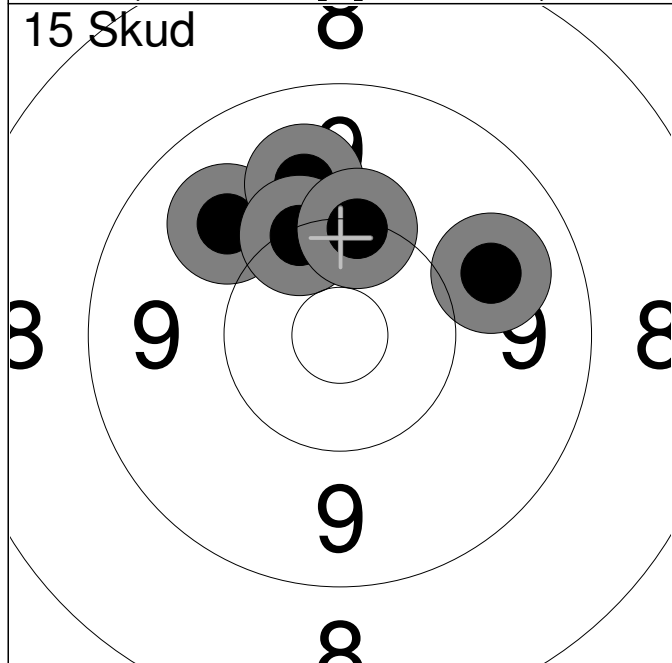
1:	7.8	↗
2:	8.6	↘
3:	10.2	↘
4:	10.0	↗
5:	10.1	↘
6:	10.0	↗
7:	10.3	↗

Serie	65.0
Total	0.0



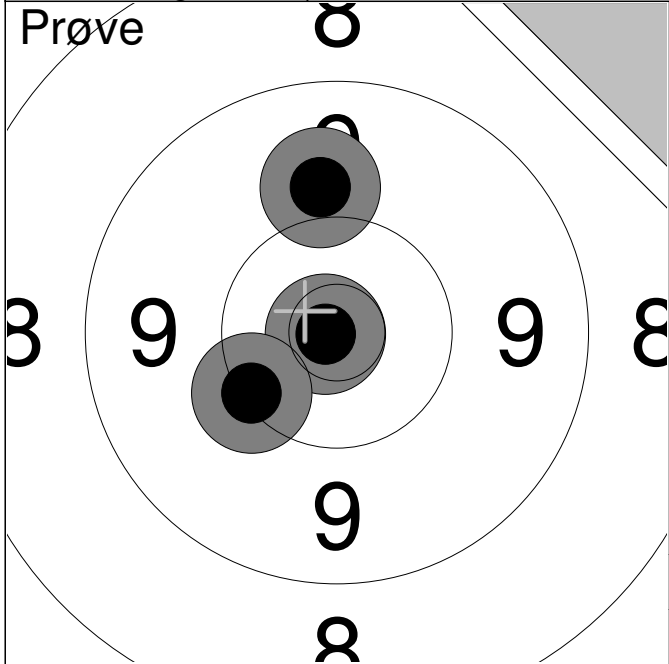
1:	10.2	↗
2:	*10.8	↗
3:	*10.8	↘
4:	*10.6	↘
5:	10.2	↗
6:	10.0	↗
7:	10.2	↗
8:	10.4	↗
9:	10.4	↗
10:	*10.8	↗

Serie	100.0
Total	100.0

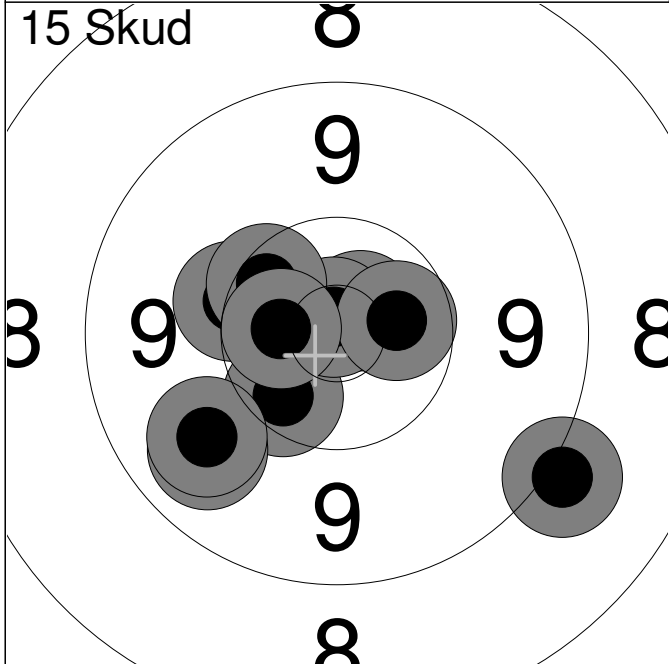


11:	9.9	↗
12:	9.9	↗
13:	10.2	↗
14:	10.2	↗
15:	9.8	↗

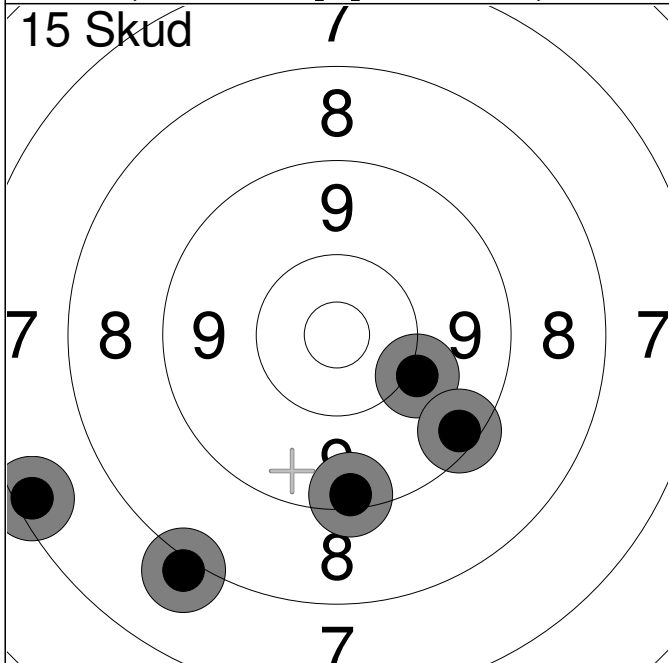
Serie	47.0
Total	147.0



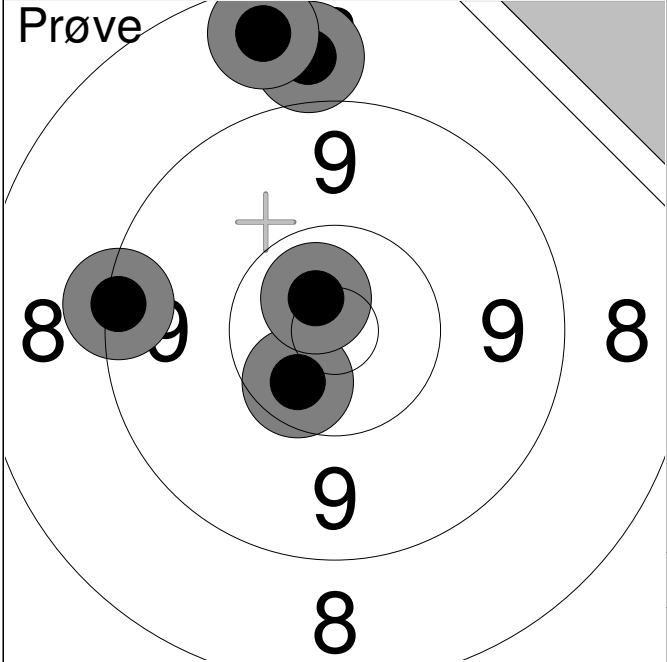
	1:	10.0	↑
	2:	*10.9	←
	3:	10.2	↙
Serie			30.0
Total			0.0



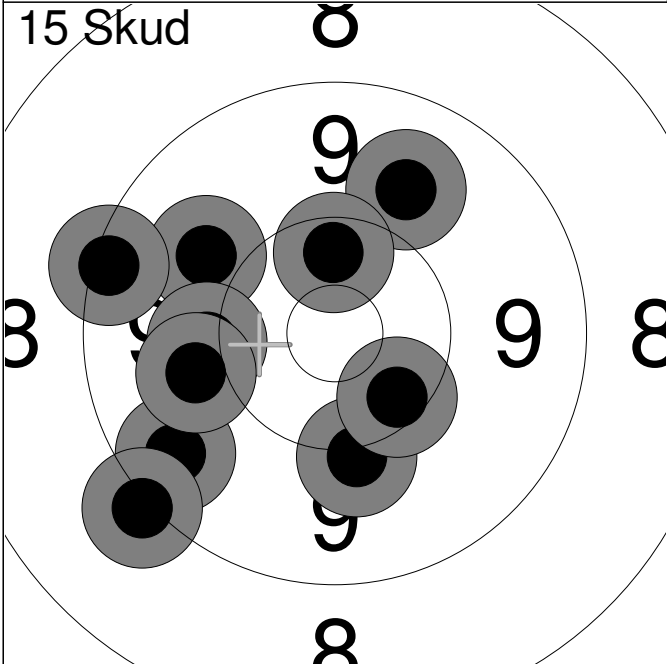
	1:	10.4	↙
	2:	9.7	↙
	3:	9.8	↙
	4:	*10.7	↗
	5:	*10.8	↑
	6:	9.1	↘
	7:	10.2	↑
	8:	*10.5	→
	9:	10.4	↗
	10:	*10.6	←
Serie			97.0
Total			97.0



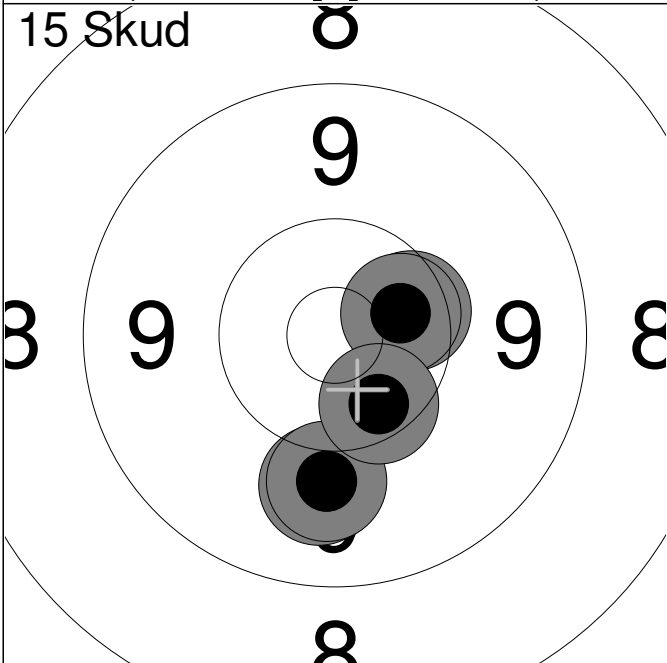
	11:	10.1	↘
	12:	9.3	↓
	13:	9.4	↘
	14:	7.4	↙
	15:	8.0	↙
Serie			43.0
Total			140.0



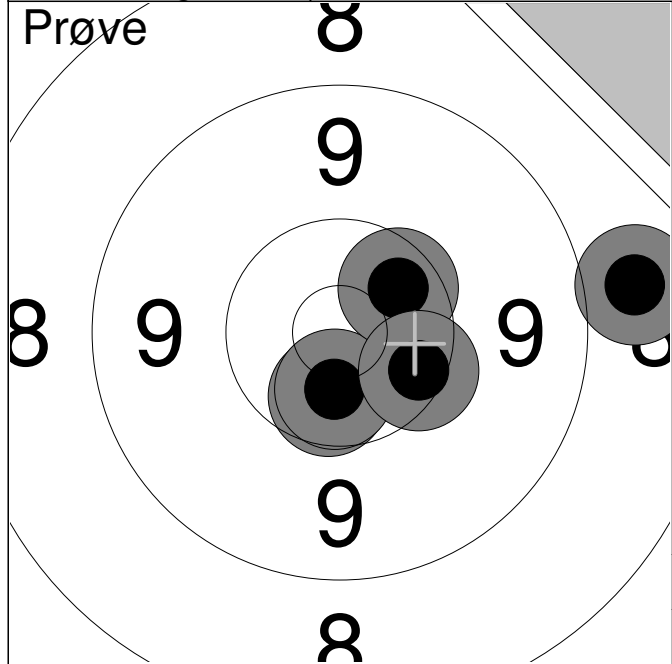
1:	8.8	↑
2:	8.6	↑
3:	*10.5	↘
4:	9.3	←
5:	*10.7	↑
Serie		45.0
Total		0.0



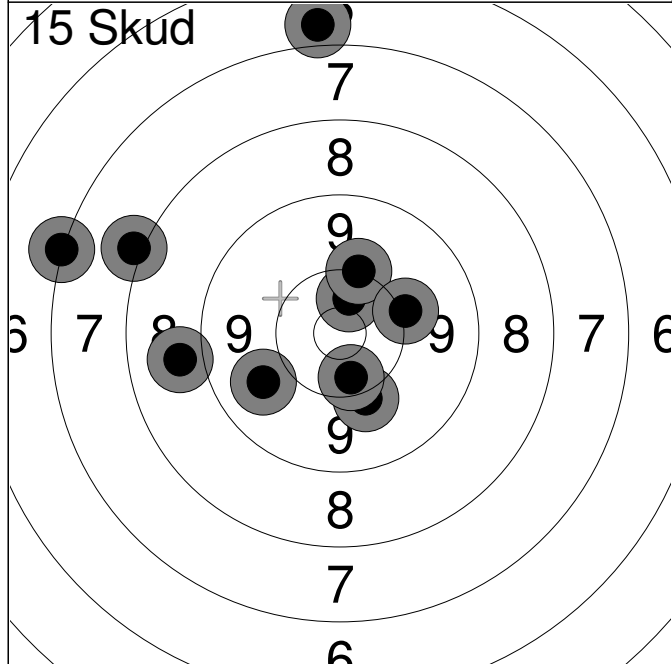
1:	9.8	↗
2:	9.9	↗
3:	9.3	↖
4:	9.6	↖
5:	10.1	←
6:	10.4	↑
7:	10.1	↓
8:	10.0	←
9:	9.1	↘
10:	10.3	↘
Serie		95.0
Total		95.0



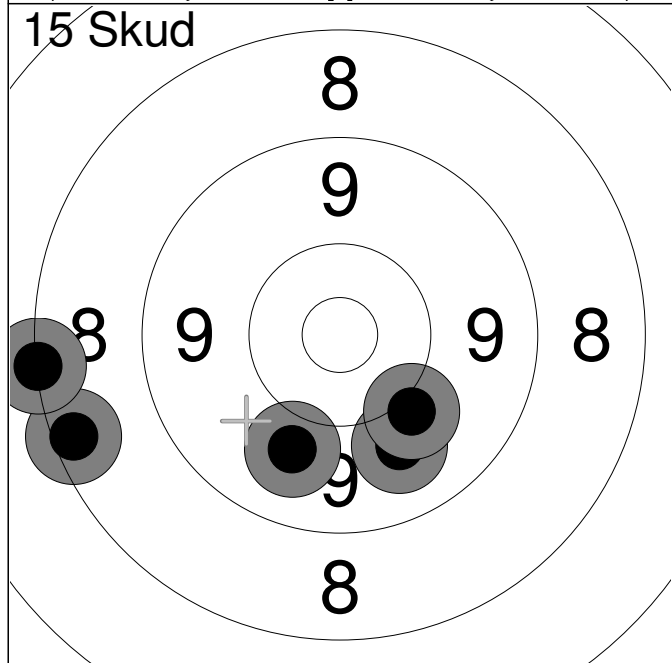
11:	9.9	↓
12:	10.0	↓
13:	10.4	→
14:	*10.5	→
15:	10.4	↘
Serie		49.0
Total		144.0



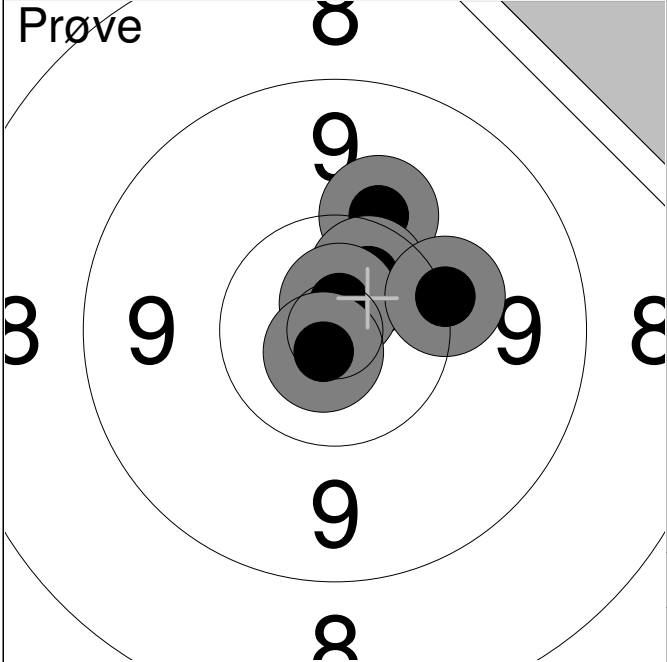
1:	8.8	→
2:	*10.5	↓
3:	*10.6	↓
4:	*10.4	↗
5:	10.3	↘
Serie		48.0
Total		0.0



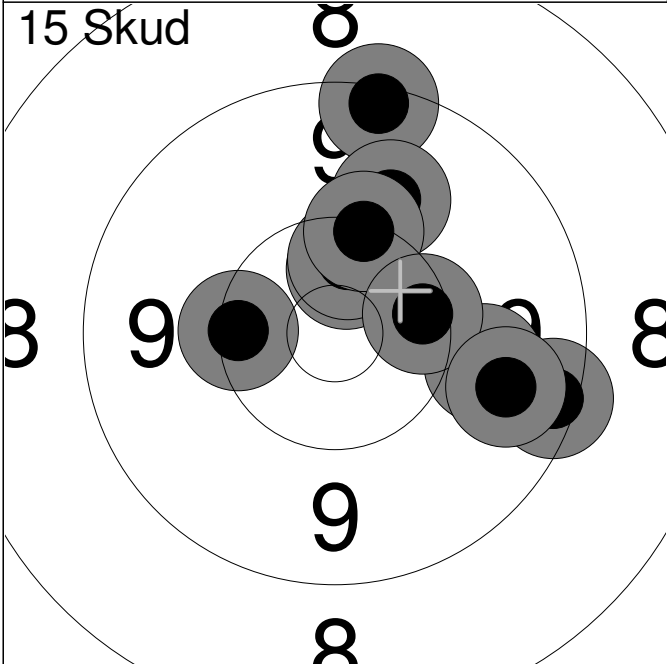
1:	10.1	↓
2:	*10.5	↑
3:	10.4	↓
4:	10.1	↑
5:	8.9	←
6:	10.1	→
7:	8.0	↖
8:	7.1	←
9:	6.9	↑
10:	9.8	↙
Serie		88.0
Total		88.0



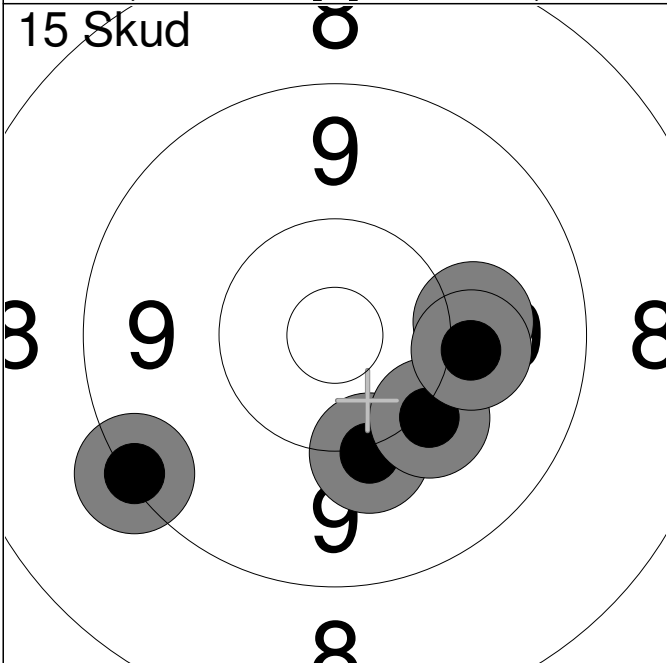
11:	9.9	↓
12:	8.4	←
13:	9.9	↓
14:	10.0	↓
15:	8.2	←
Serie		44.0
Total		132.0



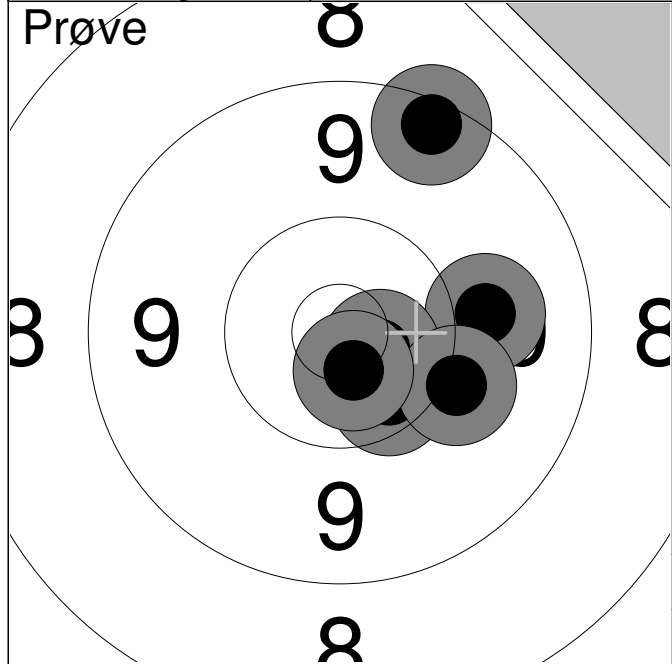
	1:	10.1	↗
	2:	*10.5	↗
	3:	*10.8	↑
	4:	10.2	→
	5:	*10.8	↘
Serie			50.0
Total			0.0



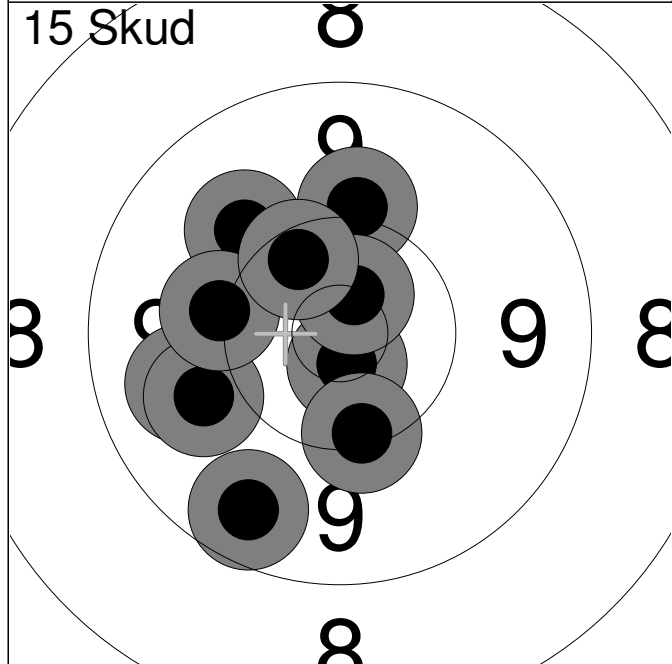
	1:	10.3	←
	2:	9.3	→
	3:	*10.5	↑
	4:	*10.4	↑
	5:	9.9	→
	6:	9.3	↑
	7:	10.0	↑
	8:	10.2	↑
	9:	10.3	→
	10:	9.7	→
Serie			96.0
Total			96.0



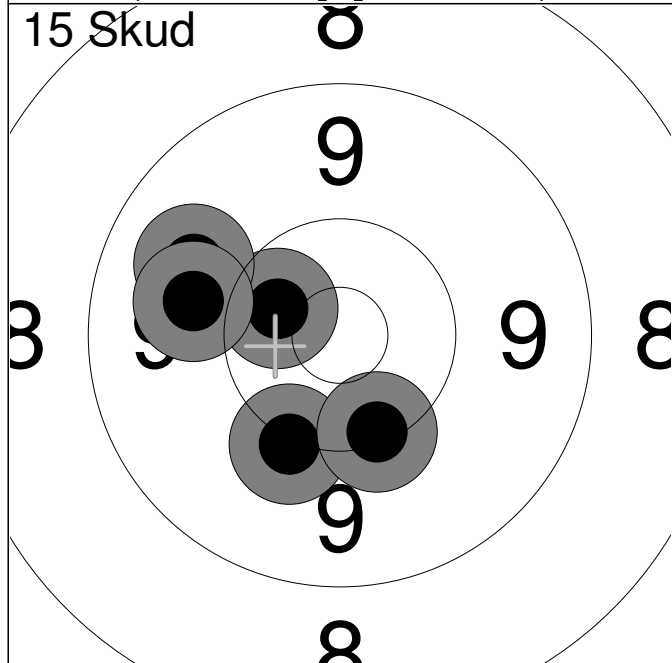
	11:	10.1	↘
	12:	10.0	→
	13:	10.1	↘
	14:	9.2	↖
	15:	10.0	→
Serie			49.0
Total			145.0



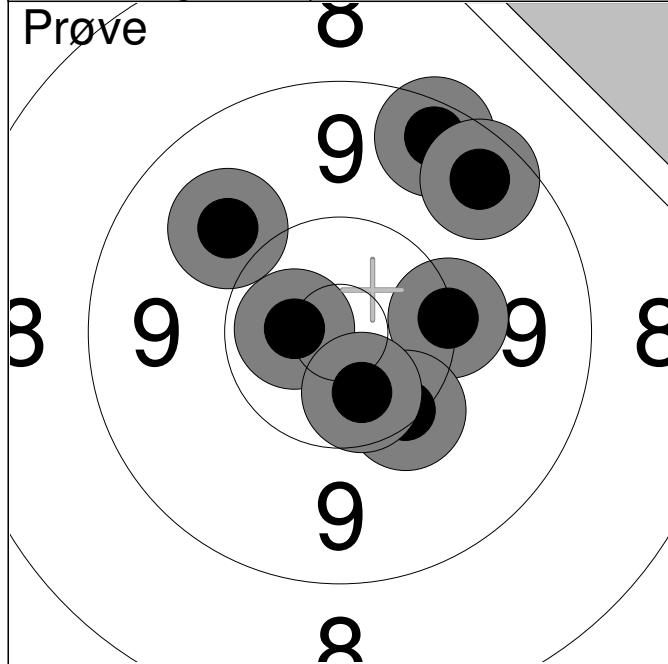
	1:	9.4	↗
	2:	9.9	→
	3:	10.4	↘
	4:	*10.7	↘
	5:	10.1	↘
	6:	*10.7	↘
Serie			58.0
Total			0.0



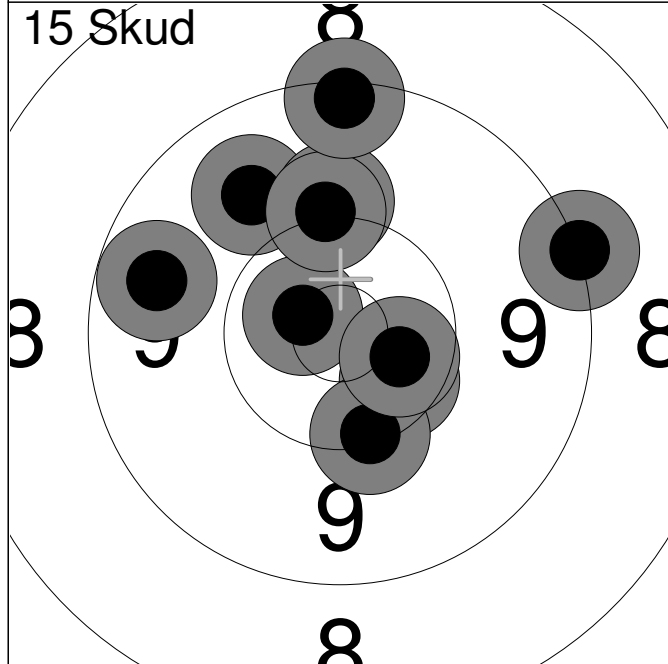
	1:	10.1	↗
	2:	10.0	↗
	3:	9.6	↘
	4:	*10.7	↘
	5:	10.3	↘
	6:	*10.7	↗
	7:	9.8	↖
	8:	9.9	↖
	9:	10.1	↖
	10:	10.4	↗
Serie			97.0
Total			97.0



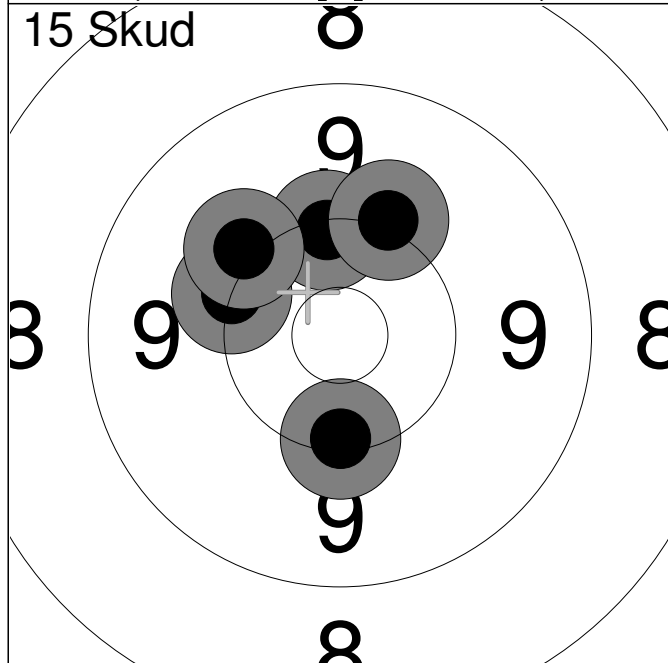
	11:	10.1	↘
	12:	10.2	↘
	13:	*10.5	↗
	14:	9.8	↗
	15:	9.9	↗
Serie			48.0
Total			145.0



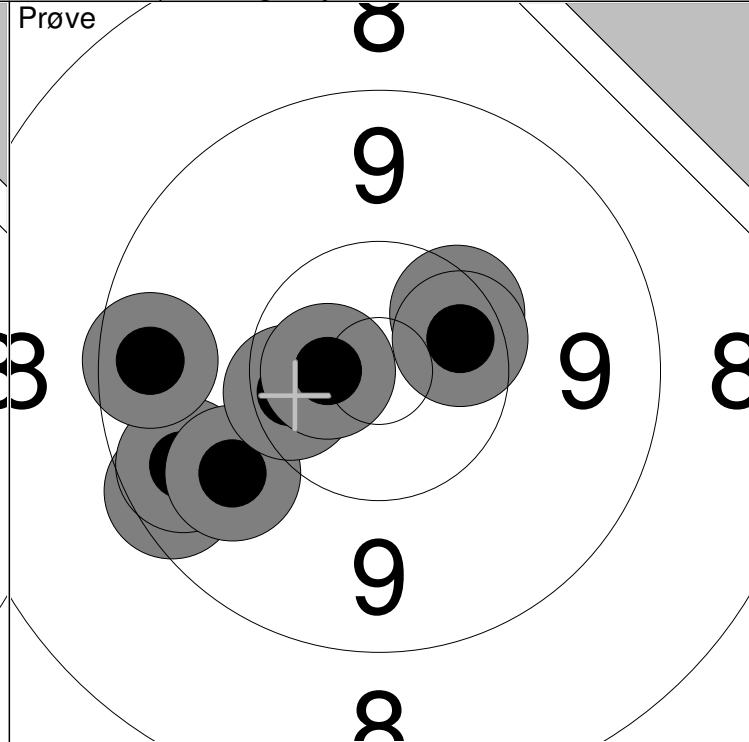
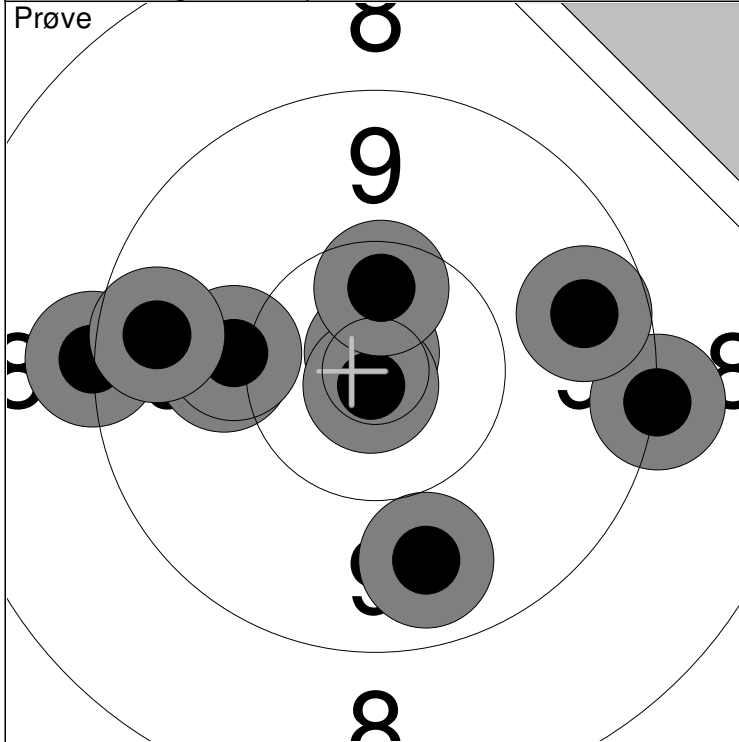
1:	10.2	→
2:	9.4	↗
3:	9.5	↗
4:	9.9	↗
5:	*10.6	←
6:	10.3	↘
7:	*10.5	↘
Serie		67.0
Total		0.0



1:	9.8	↗
2:	*10.7	↗
3:	9.2	→
4:	*10.4	↘
5:	10.0	↑
6:	10.2	↘
7:	10.1	↑
8:	9.3	↑
9:	*10.5	↘
10:	9.6	↖
Serie		96.0
Total		96.0

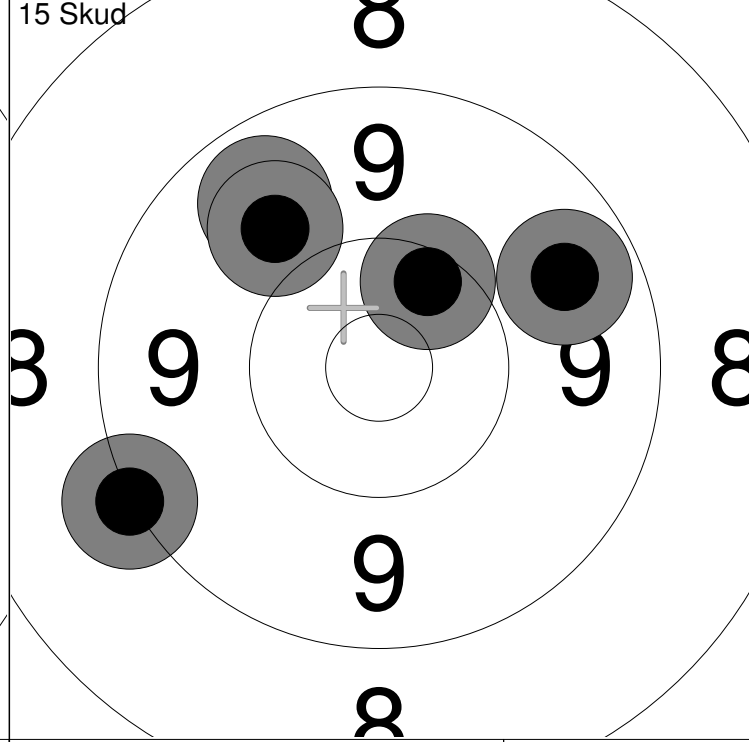
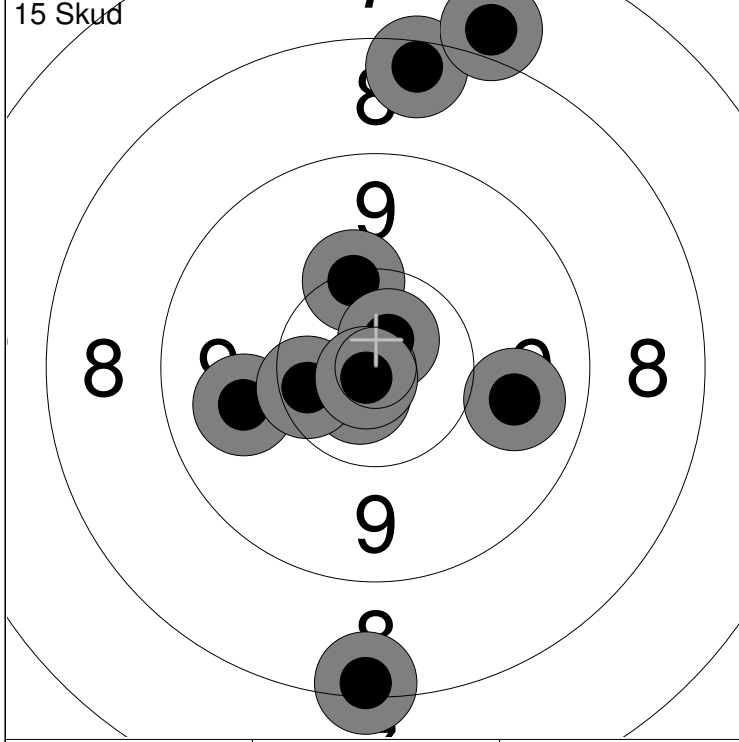


11:	10.2	↖
12:	10.2	↑
13:	10.1	↗
14:	10.2	↘
15:	10.1	↗
Serie		50.0
Total		146.0



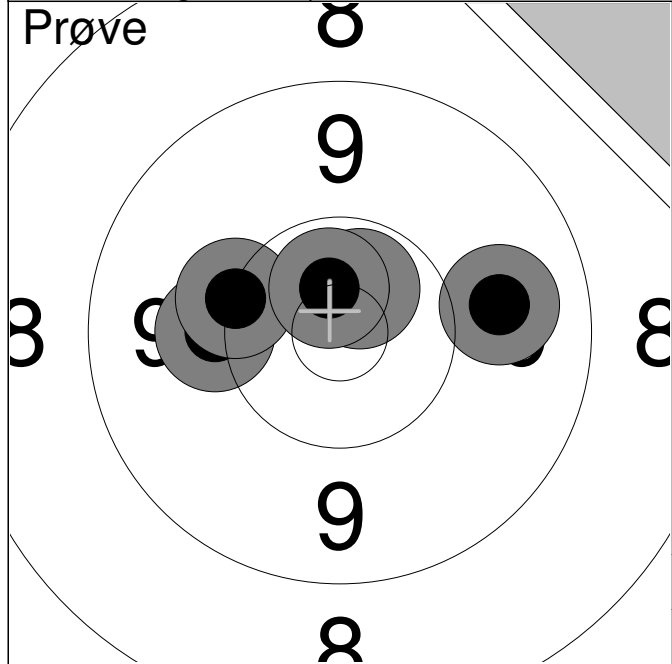
1: *10.8 ↑	6: 9.2 →	Serie	95.0
2: 9.2 ←	7: 10.1 ←		
3: 9.7 ↓	8: *10.4 ↑	Total	0.0
4: *10.9 ↓	9: 9.6 ←		
5: 10.0 ←	10: 9.6 →		

11: 9.5 ←	16: 9.5 ←	Serie	76.0
12: 10.4 ↗	17: 10.4 ←		
13: *10.4 →	18: *10.6 ←	Total	0.0
14: 9.6 ←			
15: 9.9 ←			

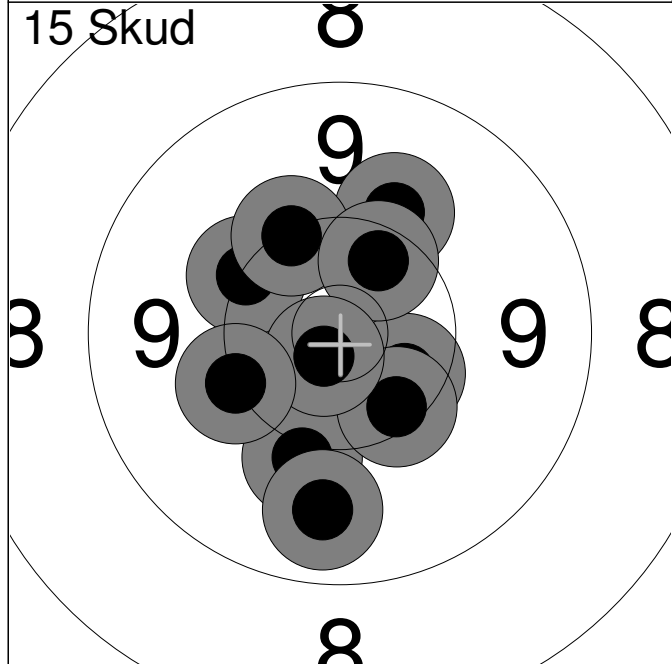


1: 8.3 ↓	6: 7.9 ↑	Serie	91.0
2: 8.4 ↑	7: *10.7 ↑		
3: 10.2 ↑	8: 10.4 ←	Total	91.0
4: *10.7 ↓	9: 9.8 →		
5: 9.8 ←	10: *10.8 ↓		

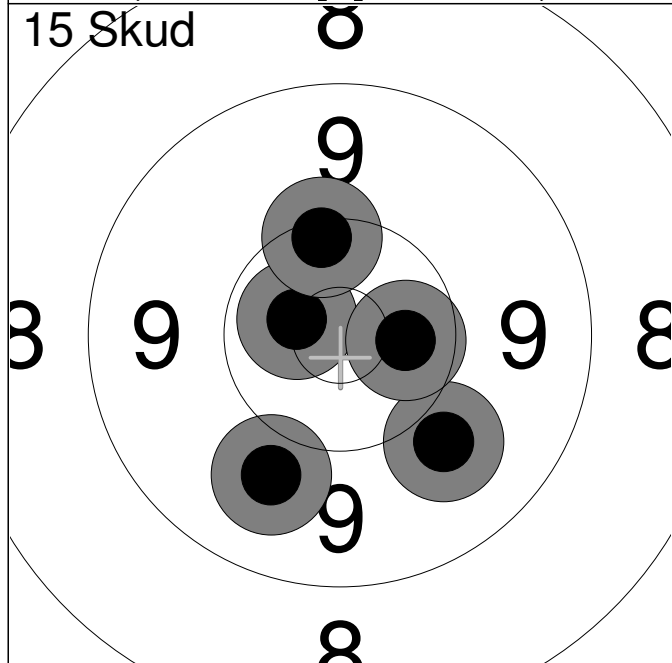
11: 9.7 ↖	Serie	46.0
12: 10.3 ↑		
13: 9.9 ↖	Total	137.0
14: 9.2 ←		
15: 9.7 ↗		



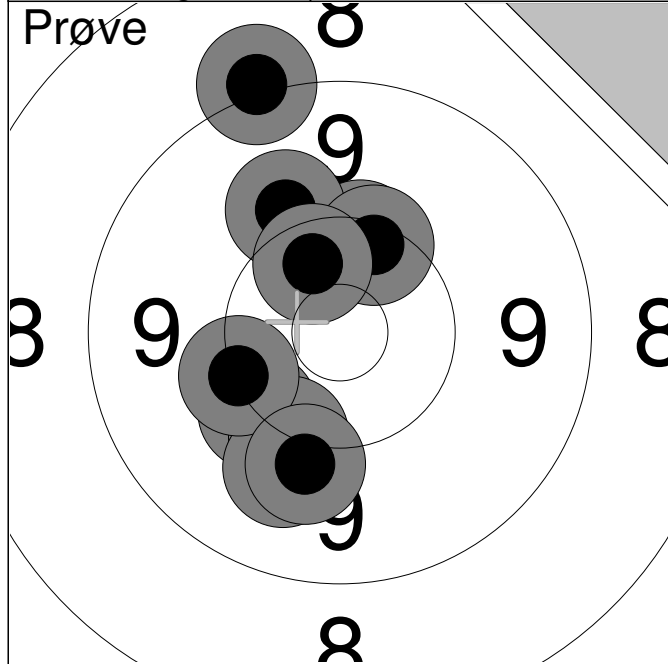
1:	9.8	→
2:	10.1	←
3:	10.2	←
4:	*10.6	↗
5:	*10.6	↗
Serie		49.0
Total		0.0



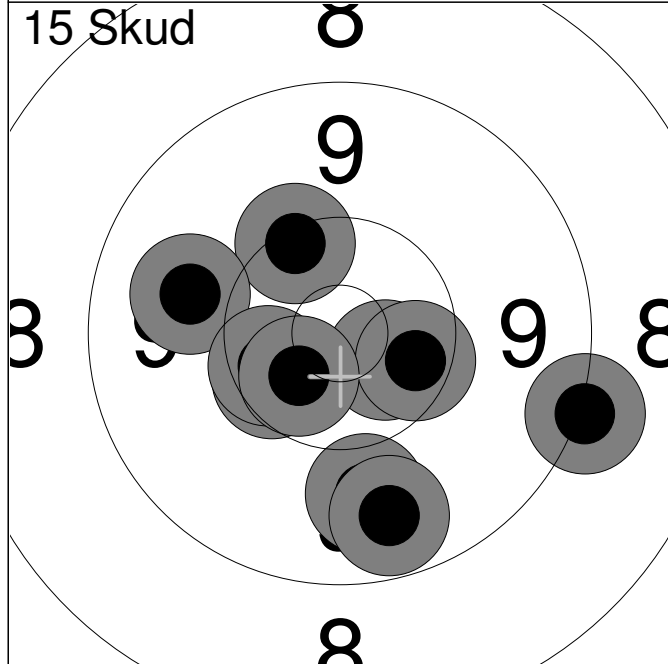
1:	10.2	↖
2:	10.1	↓
3:	10.0	↗
4:	9.7	↓
5:	10.2	↗
6:	*10.4	↓
7:	10.3	↓
8:	10.4	↗
9:	*10.8	↘
10:	10.2	←
Serie		99.0
Total		99.0



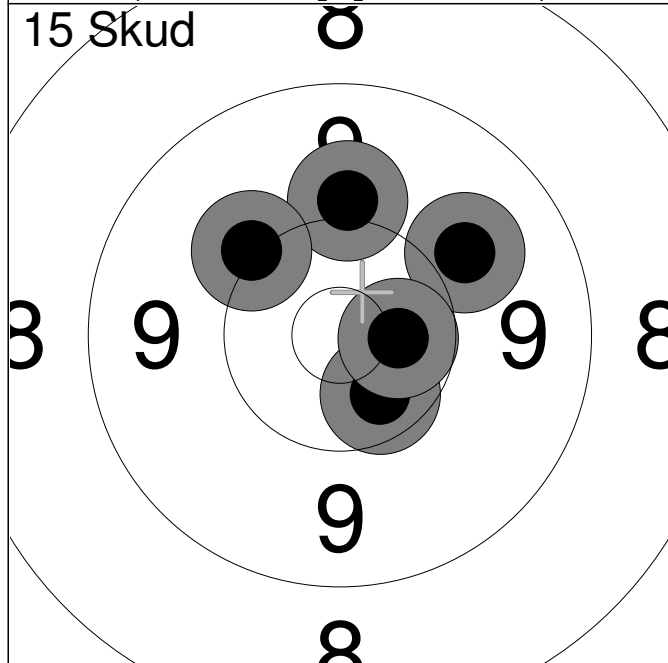
11:	*10.6	←
12:	9.9	↓
13:	9.9	↘
14:	10.3	↗
15:	*10.5	→
Serie		48.0
Total		147.0



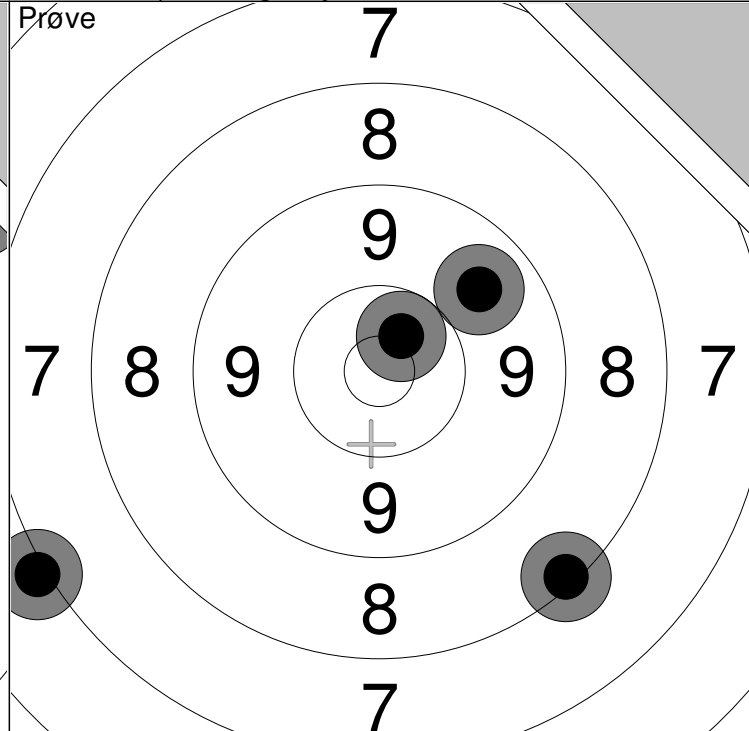
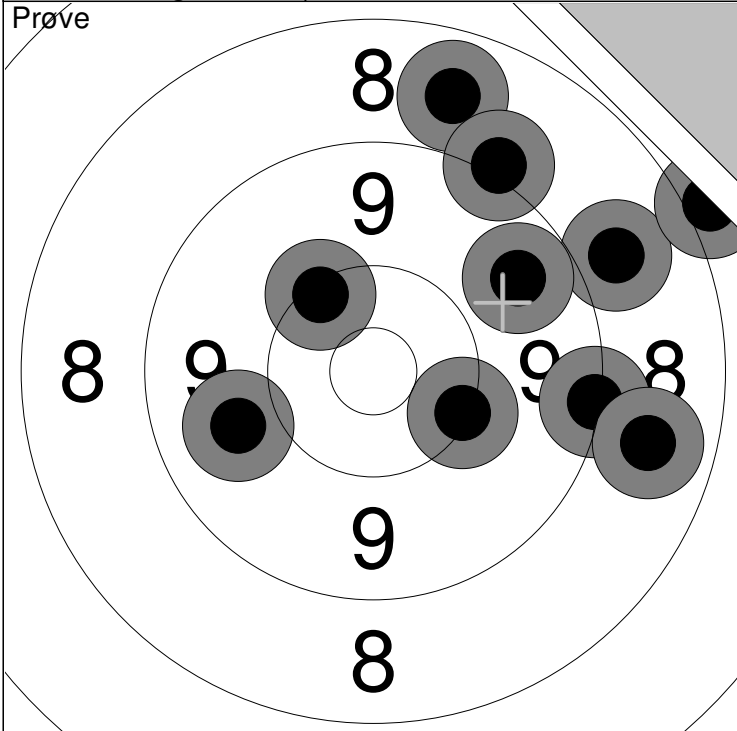
1:	9.1	↑
2:	10.2	↙
3:	10.2	↙
4:	10.3	↑
5:	10.0	↑
6:	10.0	↙
7:	10.3	↑
8:	10.2	↙
9:	10.0	↙
10:	*10.4	↑
Serie		99.0
Total		0.0



1:	10.3	↑
2:	9.9	↙
3:	10.4	↙
4:	*10.6	↘
5:	9.8	↘
6:	9.6	↘
7:	10.4	↙
8:	10.4	↘
9:	*10.5	↙
10:	9.1	↘
Serie		96.0
Total		96.0

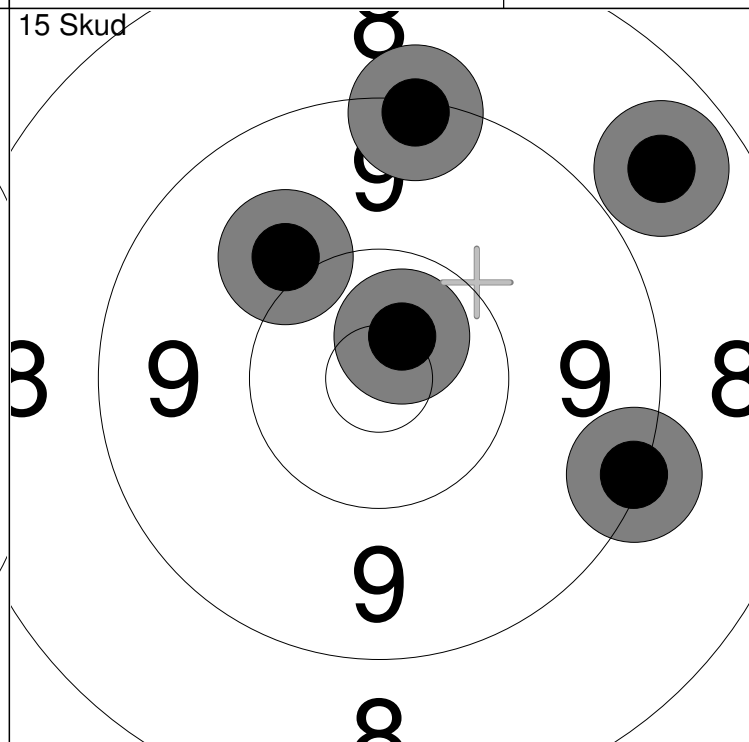
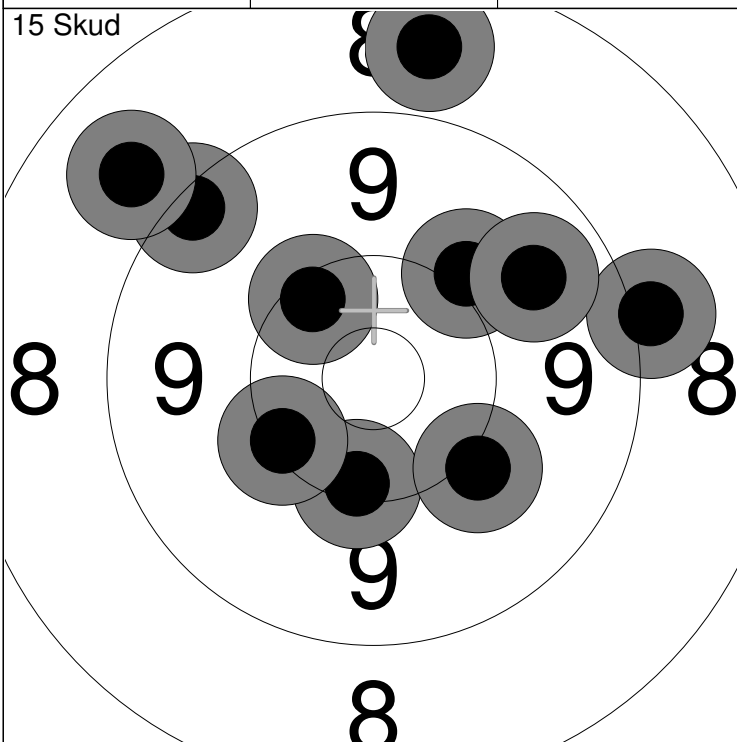


11:	*10.5	↘
12:	10.0	↑
13:	10.1	↙
14:	9.9	↗
15:	*10.5	→
Serie		49.0
Total		145.0



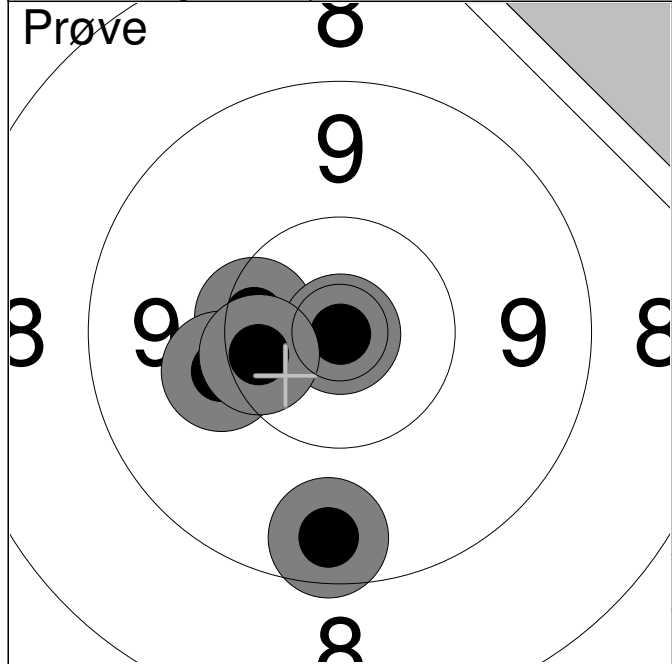
1: 8.7 ↑	6: 8.0 →			
2: 10.3 ↖	7: 9.2 →		Serie	
3: 8.8 →	8: 8.7 →	Total	0.0	
4: 9.8 ←	9: 9.6 →			
5: 9.1 ↗	10: 10.2 ↘			

11: 8.3 ↓				
12: 7.1 ↙	13: 9.7 ↗		Serie	
14: *10.6 ↗		Total	0.0	

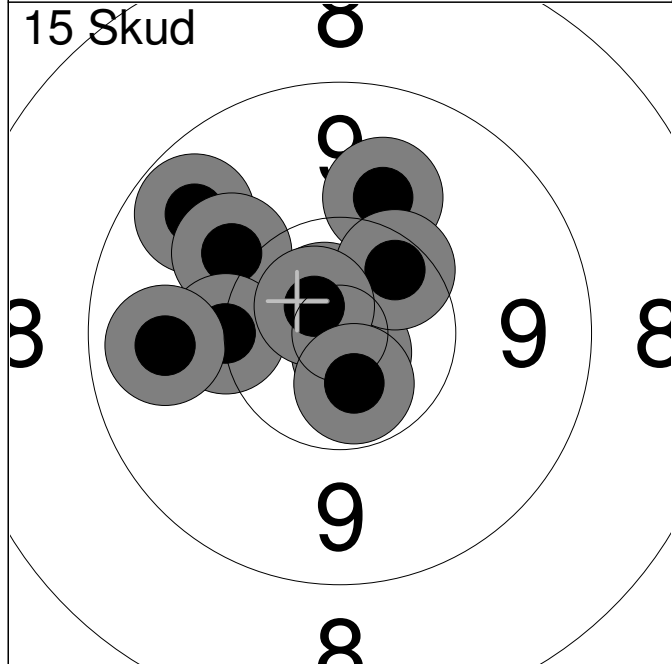


1: 10.3 ↓	6: 10.0 ↗			
2: 10.1 ↘	7: 9.3 ↖		Serie	
3: 8.7 ↑	8: 8.8 ↖	Total	93.0	
4: 10.3 ↖	9: 9.0 →			
5: 10.2 ↙	10: 9.7 ↗			

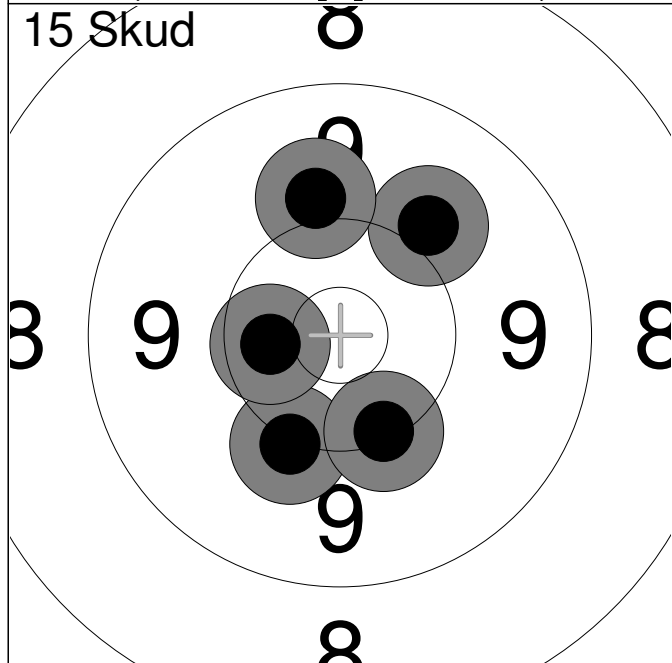
11: 9.3 ↑				
12: *10.7 ↗	13: 9.2 →		Serie	
14: 8.7 ↗	15: 10.0 ↖	Total	139.0	



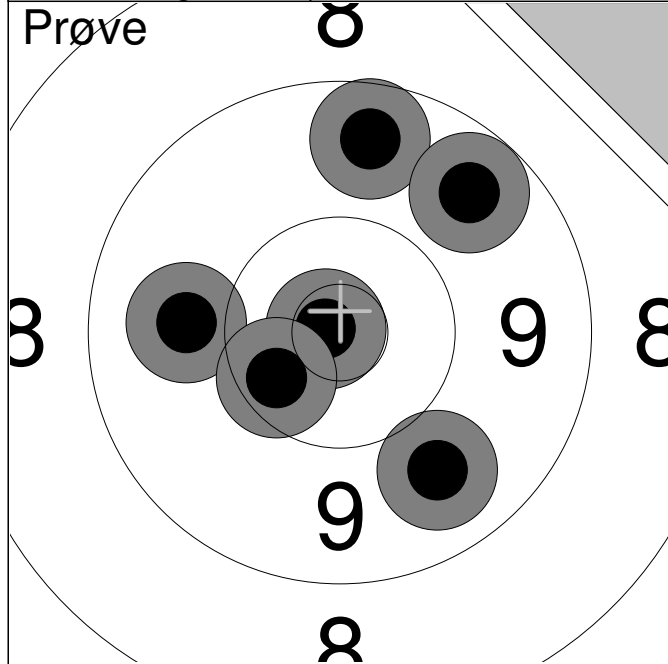
	1:	10.4	←
	2:	*10.9	↓
	3:	9.5	↓
	4:	10.1	←
	5:	10.4	←
Serie			49.0
Total			0.0



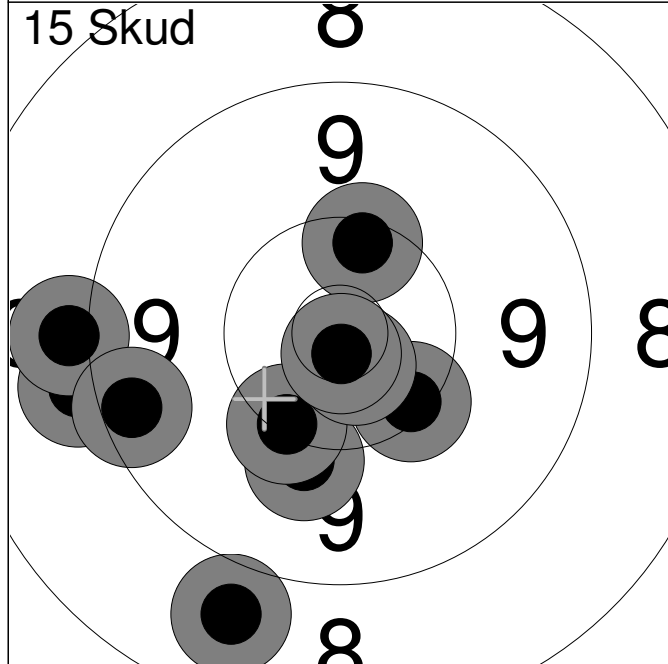
	1:	9.6	↗
	2:	10.0	↗
	3:	*10.7	↗
	4:	10.2	←
	5:	*10.8	↓
	6:	10.0	↗
	7:	9.7	←
	8:	10.4	↗
	9:	*10.7	↗
	10:	*10.6	↓
Serie			98.0
Total			98.0



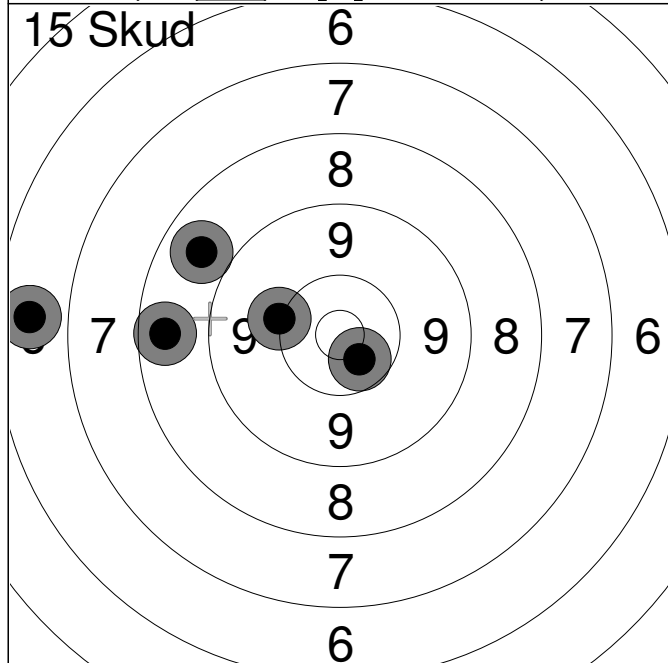
	11:	10.1	↓
	12:	10.0	↗
	13:	10.0	↗
	14:	*10.5	←
	15:	10.2	↓
Serie			50.0
Total			148.0



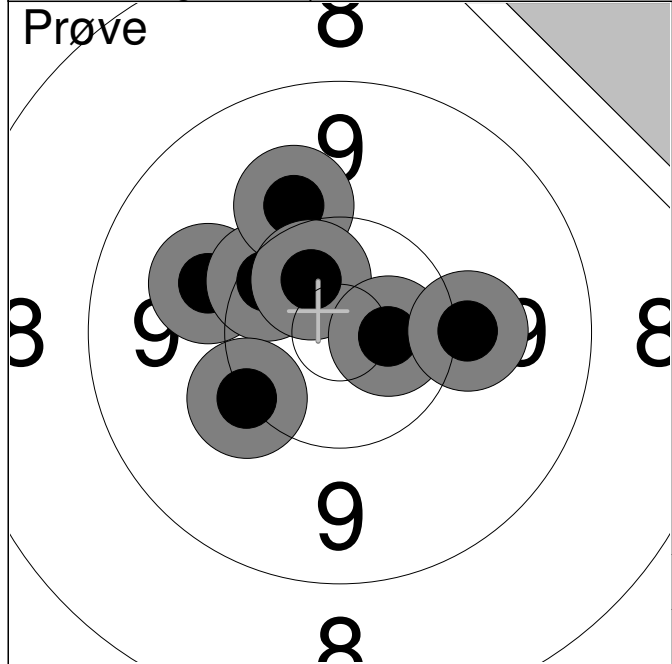
1:	9.9	←
2:	*10.8	←
3:	9.6	↑
4:	9.6	↗
5:	9.8	↘
6:	*10.4	↙
Serie		56.0
Total		0.0



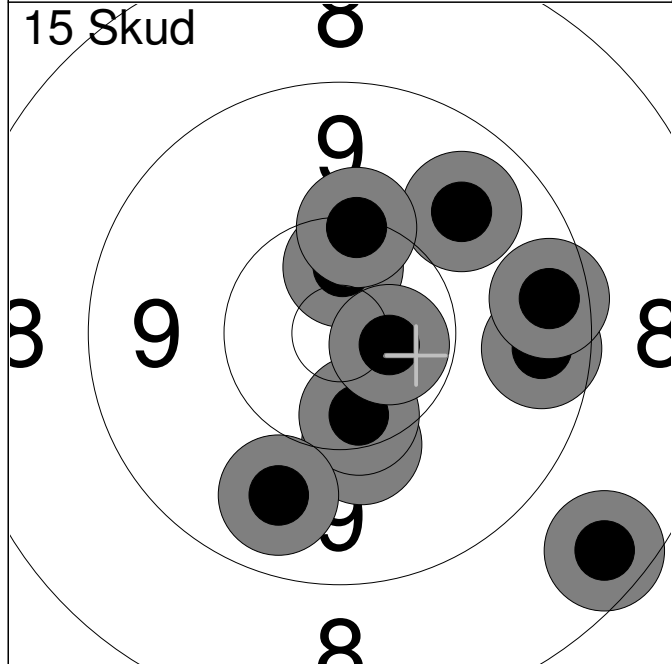
1:	10.3	↘
2:	10.0	↘
3:	10.2	↘
4:	8.8	↘
5:	10.3	↑
6:	*10.7	↘
7:	9.1	←
8:	9.0	←
9:	9.4	←
10:	*10.8	↘
Serie		95.0
Total		95.0



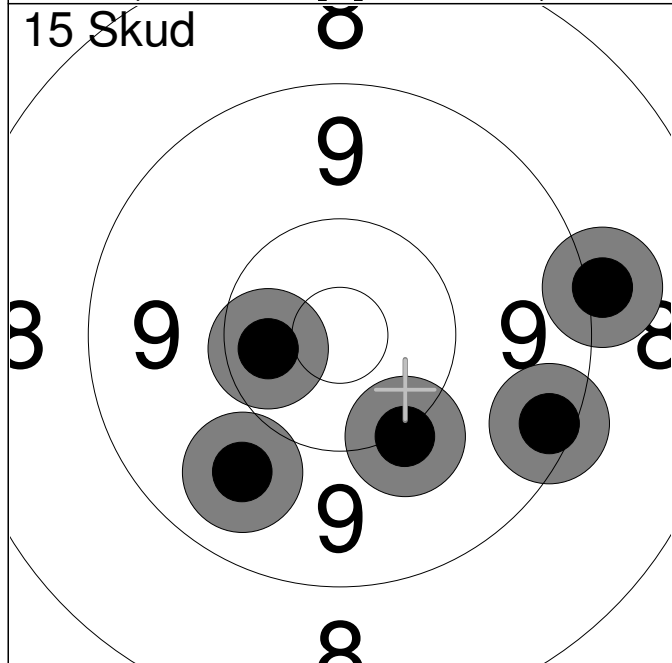
11:	6.6	←
12:	10.1	←
13:	*10.5	↘
14:	8.6	←
15:	8.7	↗
Serie		42.0
Total		137.0



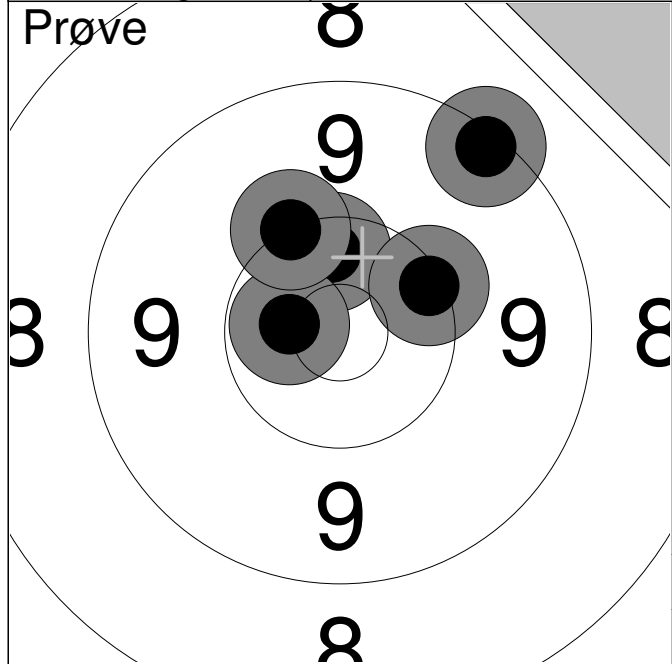
1:	10.0	↖
2:	10.3	↗
3:	10.0	↖
4:	*10.5	↗
5:	10.2	↖
6:	*10.6	→
7:	10.1	→
Serie		70.0
Total		0.0



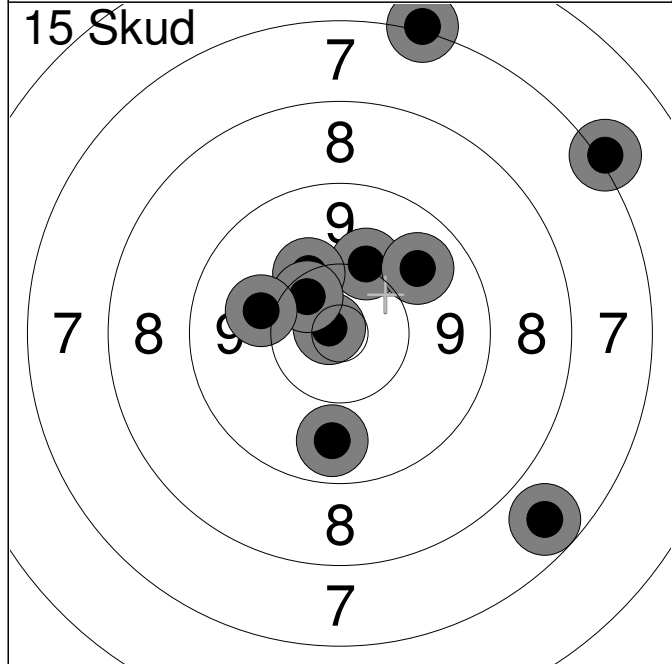
1:	9.8	↗
2:	10.2	↓
3:	*10.5	↑
4:	10.4	↓
5:	*10.6	→
6:	9.5	→
7:	10.2	↑
8:	8.5	↘
9:	9.5	→
10:	9.8	↓
Serie		94.0
Total		94.0



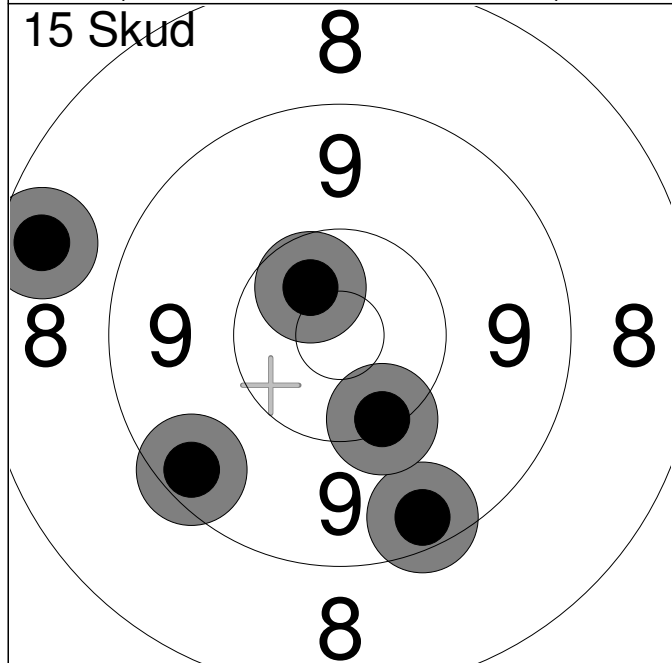
11:	*10.5	←
12:	9.4	→
13:	10.1	↘
14:	9.8	↘
15:	9.1	→
Serie		47.0
Total		141.0



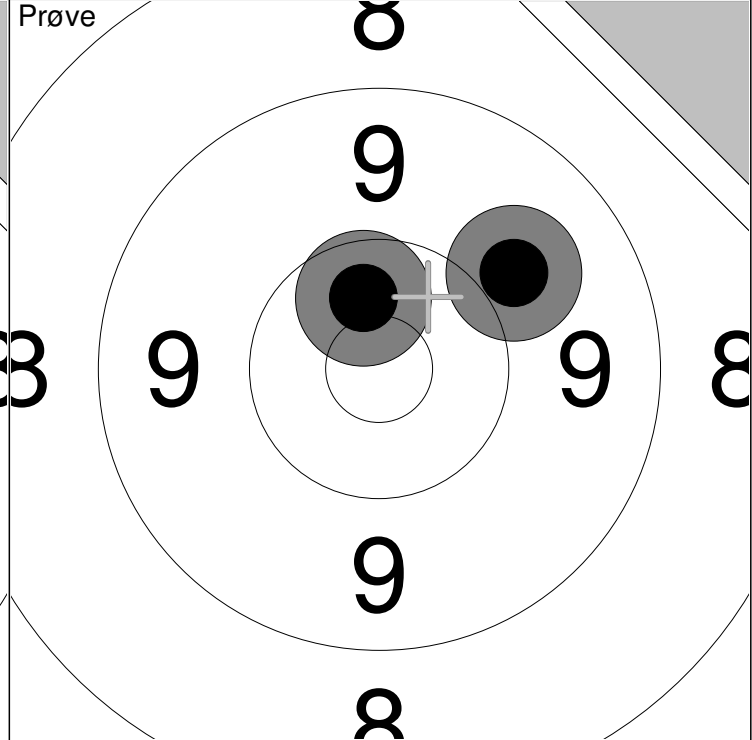
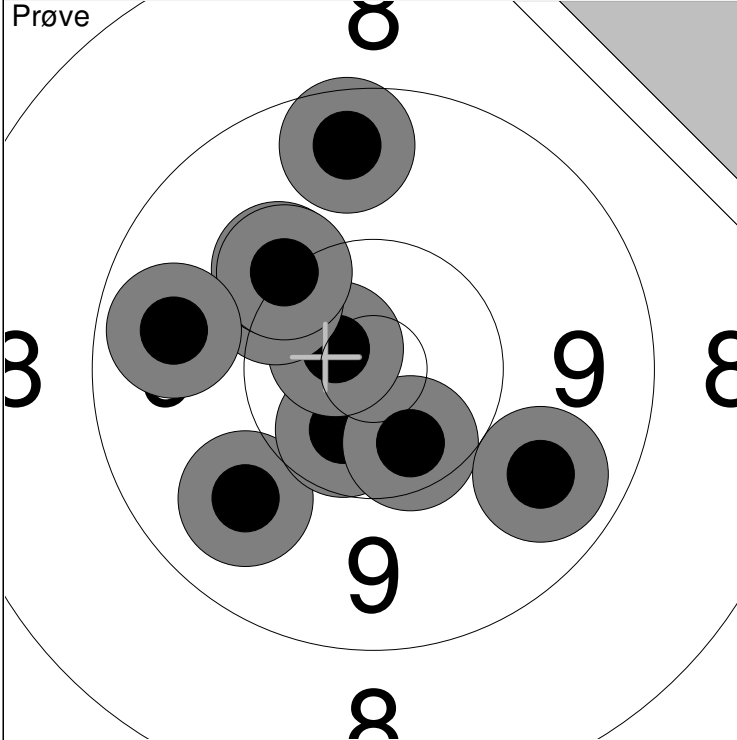
	1:	9.3	↗
	2:	10.4	↑
	3:	10.3	↘
	4:	*10.6	←
	5:	10.2	↑
Serie			49.0
Total			0.0



	1:	10.1	↗
	2:	10.2	↗
	3:	*10.8	↘
	4:	10.4	↗
	5:	10.0	←
	6:	9.7	↓
	7:	9.8	↗
	8:	7.1	↑
	9:	7.6	↘
	10:	7.1	↗
Serie			89.0
Total			89.0

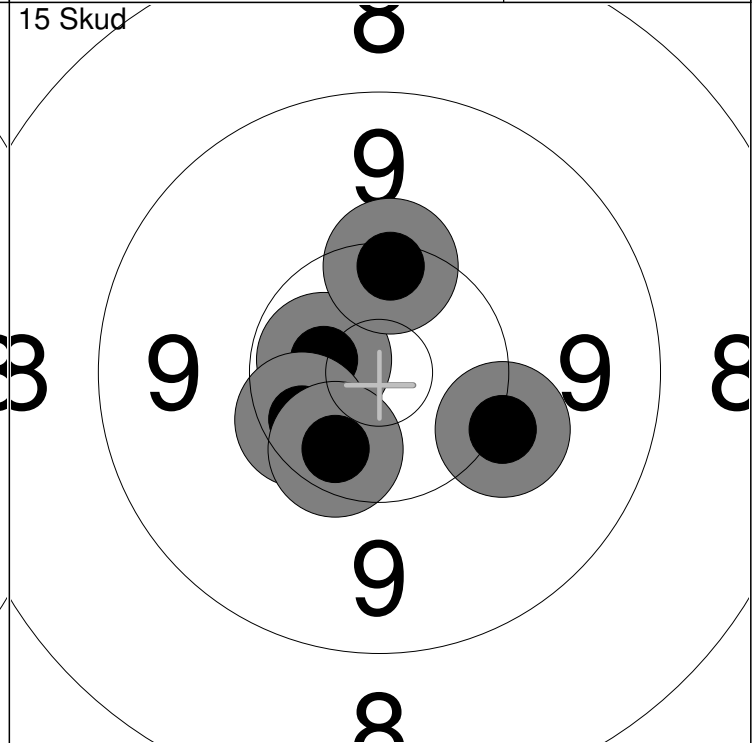
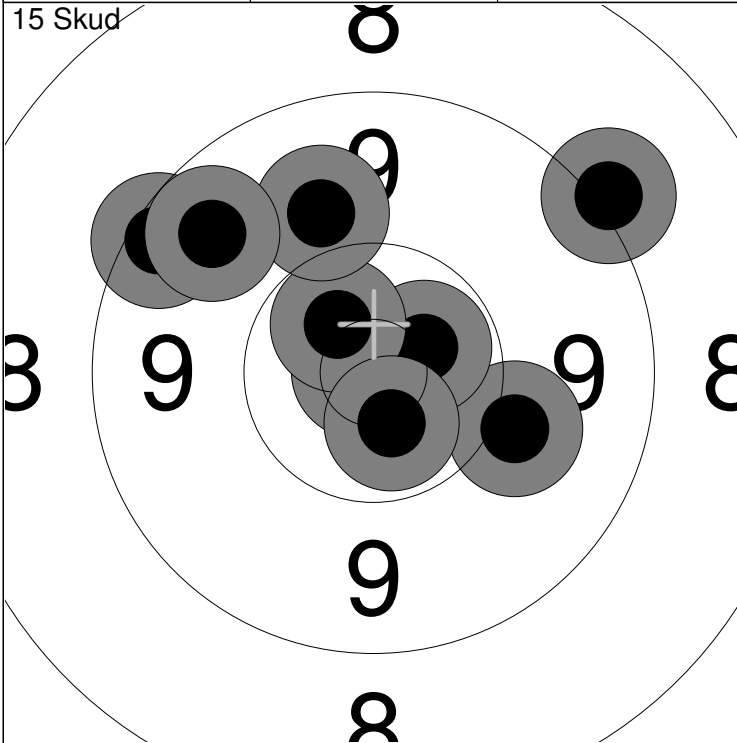


	11:	8.5	←
	12:	*10.5	↗
	13:	9.4	↘
	14:	9.4	↘
	15:	10.3	↘
Serie			46.0
Total			135.0



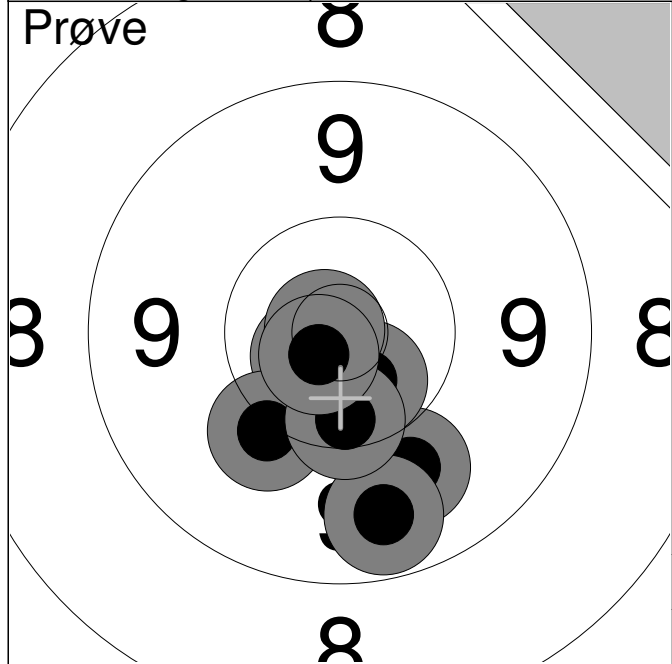
1: 9.8 ↙	6: 10.2 ↗	Serie	96.0
2: *10.5 ↘	7: 10.1 ↗		
3: *10.4 ↘	8: 10.1 ↗	Total	0.0
4: 9.5 ↗	9: 9.7 ↘		
5: *10.7 ↖	10: 9.7 ↖		

11: 9.9 ↗	Serie	19.0
12: *10.5 ↗		
Total		0.0

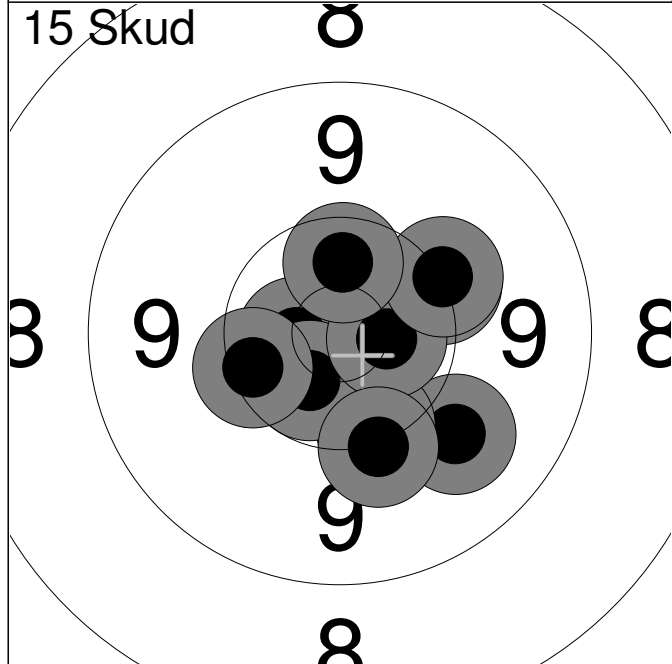


1: *10.8 ↗	6: *10.6 ↗	Serie	96.0
2: *10.9 ↖	7: *10.6 ↗		
3: 10.0 ↘	8: 9.9 ↗	Total	96.0
4: 9.4 ↗	9: *10.6 ↘		
5: 9.1 ↗	10: 9.6 ↗		

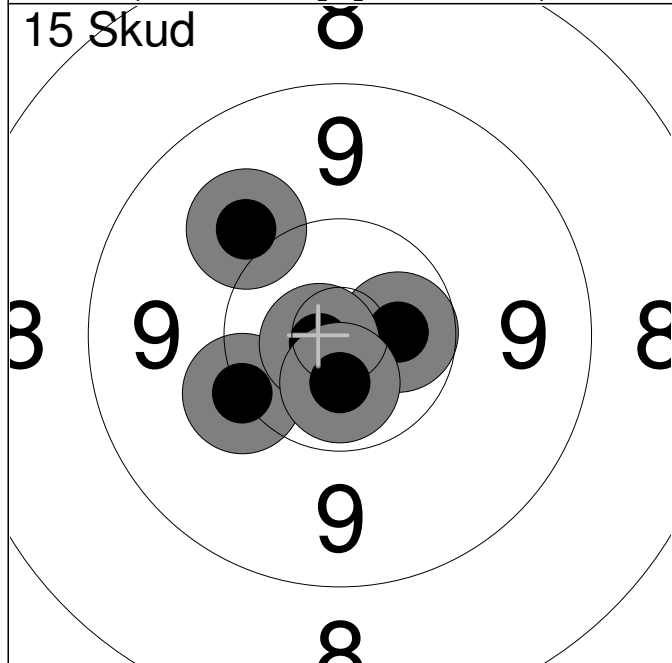
11: *10.6 ↖	Serie	50.0
12: 10.4 ↖		
13: 10.4 ↘	Total	146.0
14: 10.3 ↗		
15: 10.1 ↘		



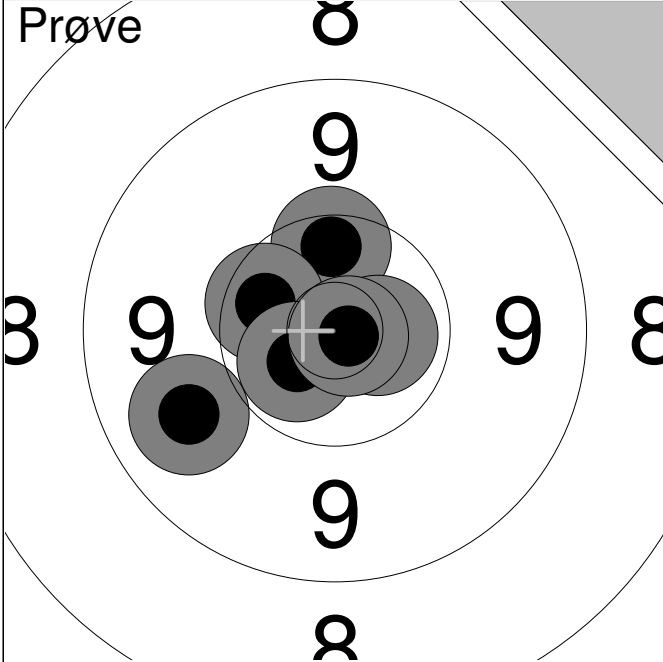
1:	9.9	↓
2:	*10.6	↓
3:	*10.7	↙
4:	9.6	↓
5:	10.1	↙
6:	10.4	↓
7:	*10.8	↙
8:	*10.7	↙
Serie		78.0
Total		0.0



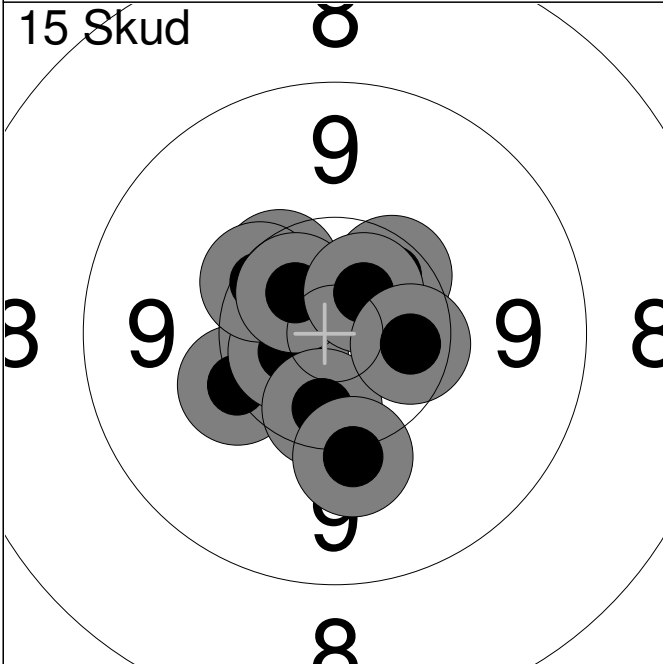
1:	*10.7	←
2:	9.9	↓
3:	10.3	↓
4:	10.2	↗
5:	*10.6	↙
6:	*10.6	→
7:	10.1	↗
8:	*10.5	↑
9:	10.3	↙
10:	10.1	↓
Serie		99.0
Total		99.0



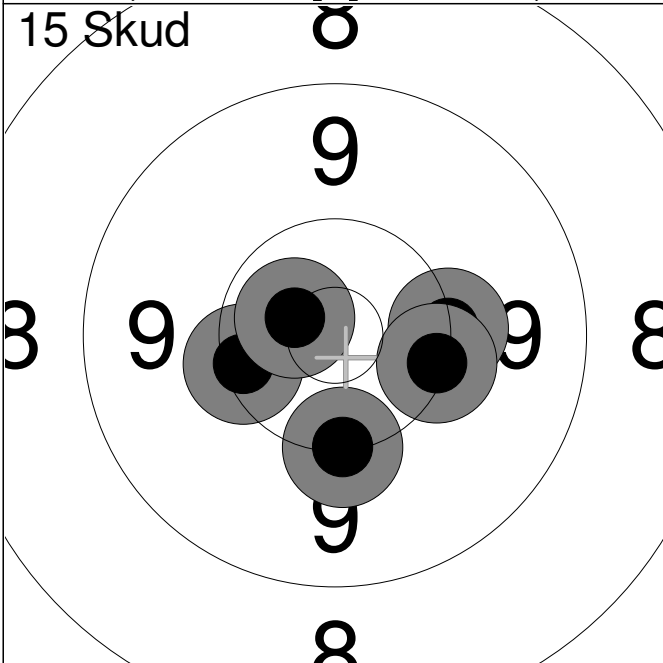
11:	10.2	↙
12:	*10.5	→
13:	10.0	↗
14:	*10.8	↙
15:	*10.6	↓
Serie		50.0
Total		149.0



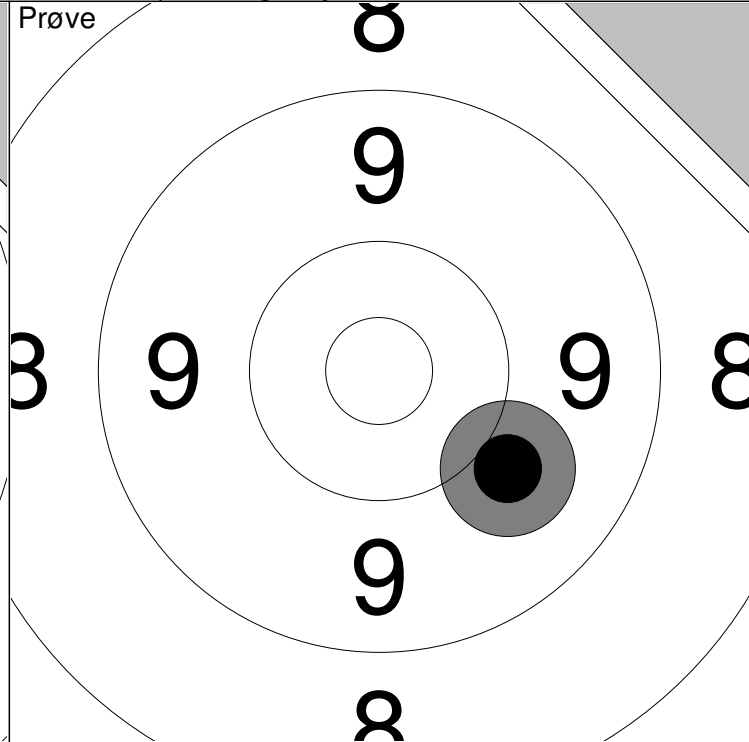
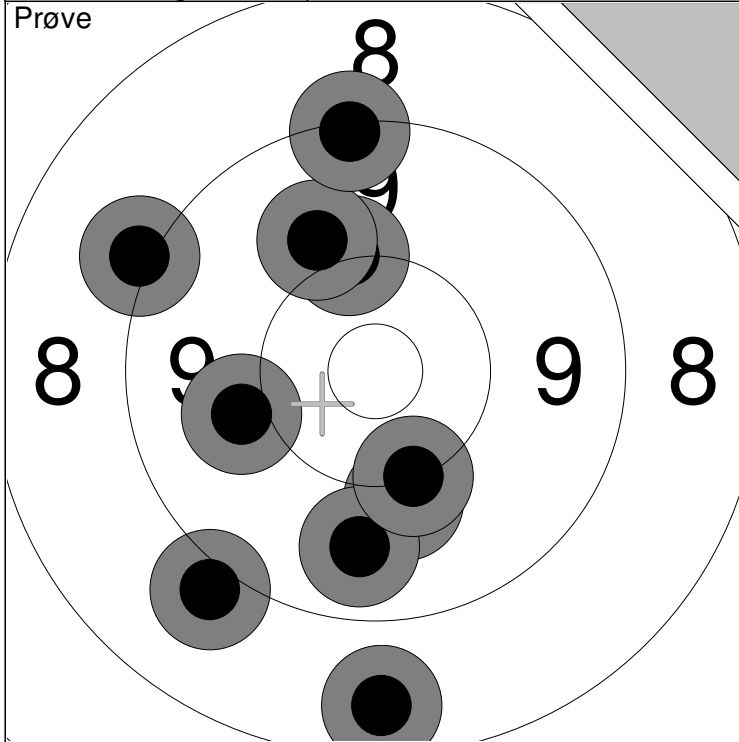
1:	10.4	↑
2:	9.8	↙
3:	*10.4	↖
4:	*10.7	→
5:	*10.6	↙
6:	*10.9	↘
Serie		59.0
Total		0.0



1:	10.2	↙
2:	10.4	↖
3:	*10.6	↙
4:	10.4	↗
5:	10.3	↖
6:	*10.6	↖
7:	*10.6	↖
8:	*10.4	↓
9:	*10.4	→
10:	10.1	↓
Serie		100.0
Total		100.0

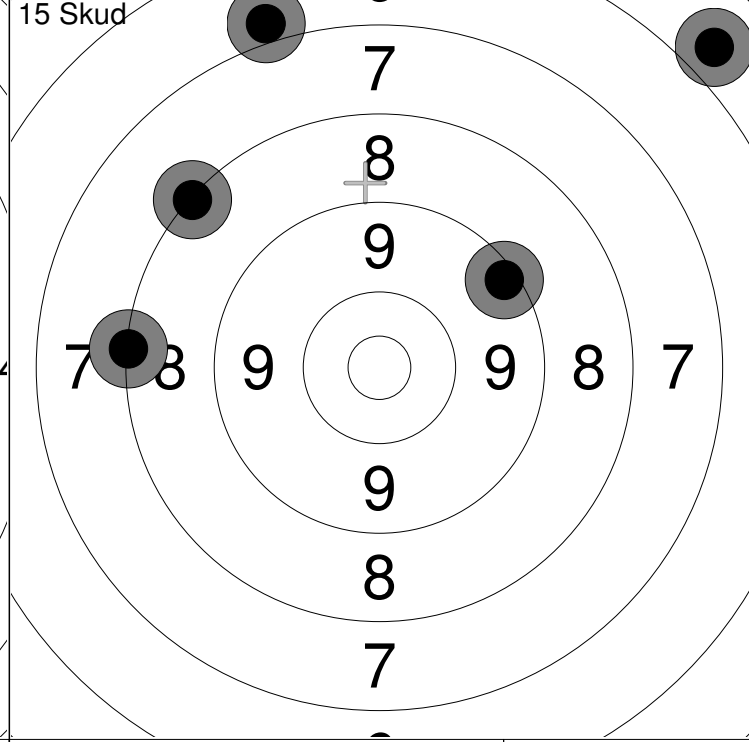
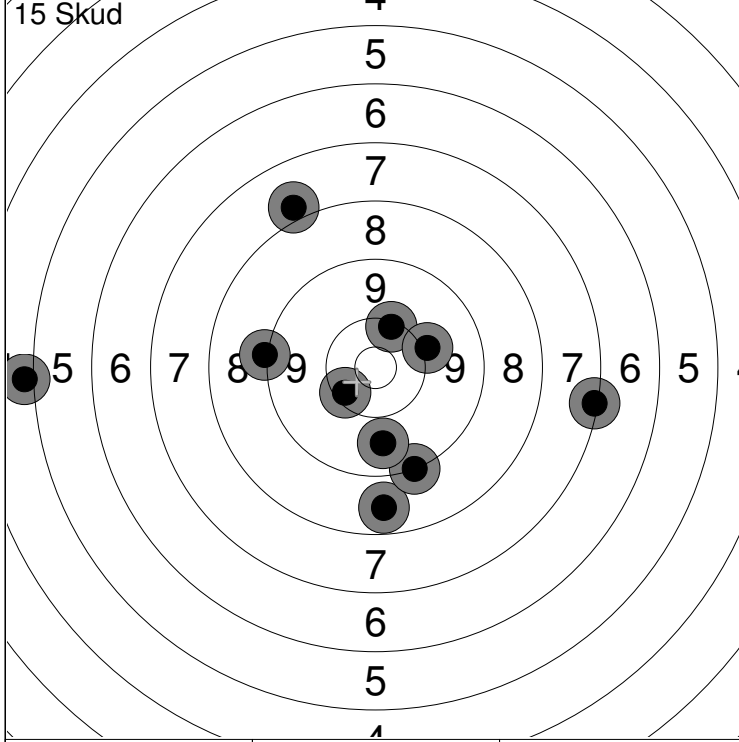


11:	10.3	↙
12:	10.2	→
13:	10.2	↘
14:	10.2	↓
15:	*10.7	↖
Serie		50.0
Total		150.0



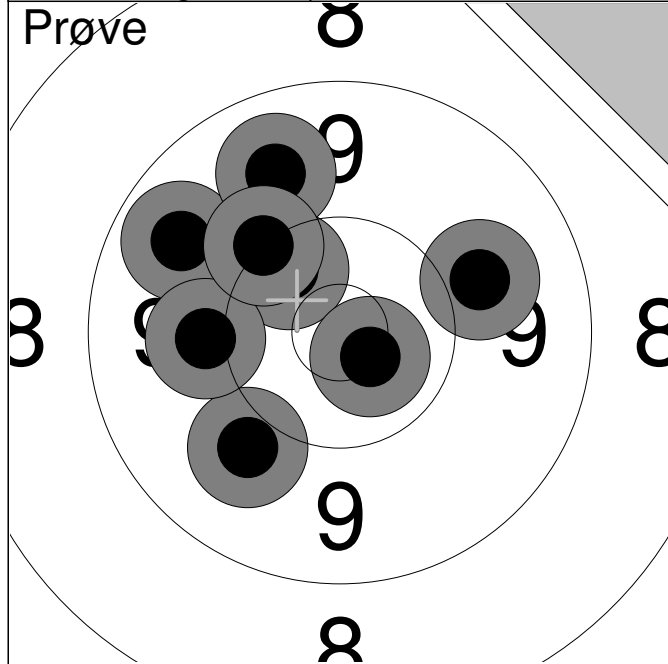
1: 10.1 ↑	6: 10.0 ←	Serie	94.0
2: 10.0 ↗	7: 9.7 ↓		
3: 9.2 ↑	8: 9.1 ↖	Total	0.0
4: 10.0 ↓	9: 10.2 ↓		
5: 8.6 ↓	10: 9.0 ↘		

11: 10.0 ↘	Serie	10.0
	Total	0.0

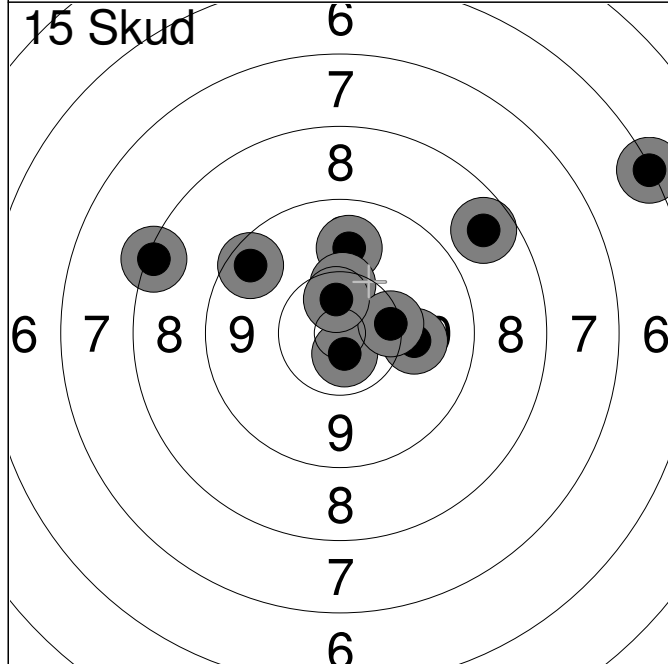


1: 8.6 ↓	6: 7.2 →	Serie	85.0
2: 10.3 ↖	7: 10.3 ↗		
3: 9.1 ←	8: 10.1 →	Total	85.0
4: 9.2 ↓	9: 8.0 ↗		
5: 9.7 ↓	10: 5.0 ←		

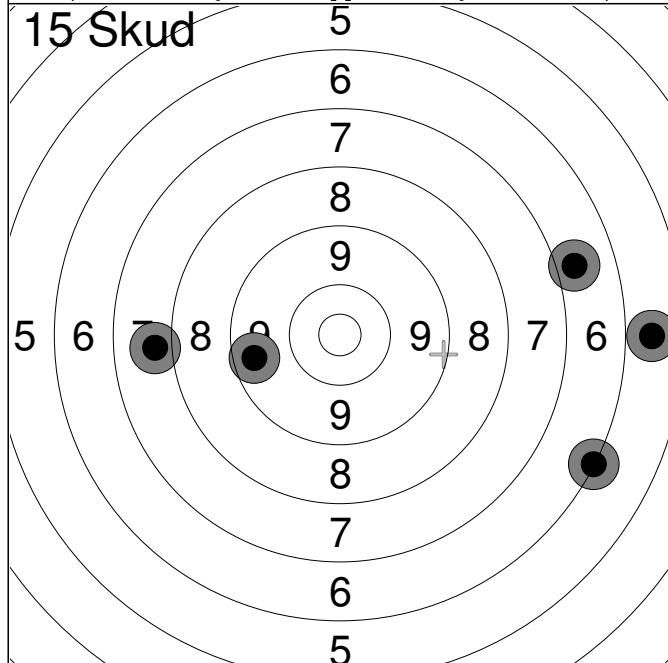
11: 7.0 ↗	Serie	37.0
12: 9.3 ↗		
13: 5.8 ↗	Total	122.0
14: 8.2 ↖		
15: 8.2 ←		



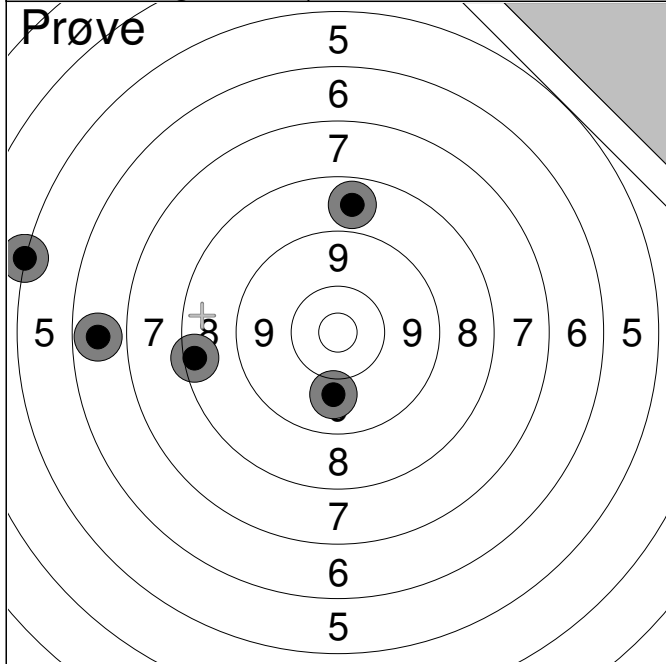
1:	9.7	↗
2:	9.8	↗
3:	9.9	↘
4:	9.9	→
5:	10.4	↗
6:	10.0	←
7:	*10.7	↘
8:	10.2	↗
Serie		76.0
Total		0.0



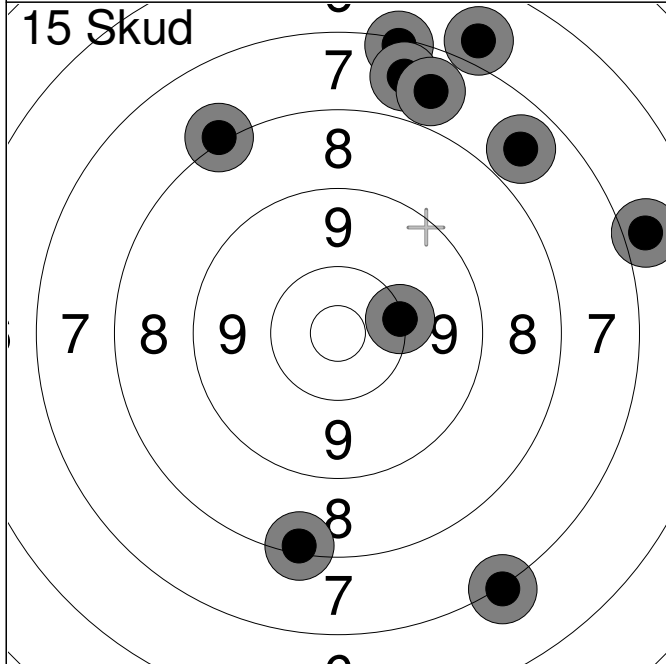
1:	10.0	→
2:	9.8	↑
3:	10.3	↑
4:	*10.7	↓
5:	10.3	→
6:	6.2	↗
7:	8.6	↗
8:	9.5	↗
9:	*10.5	↑
10:	8.3	←
Serie		90.0
Total		90.0



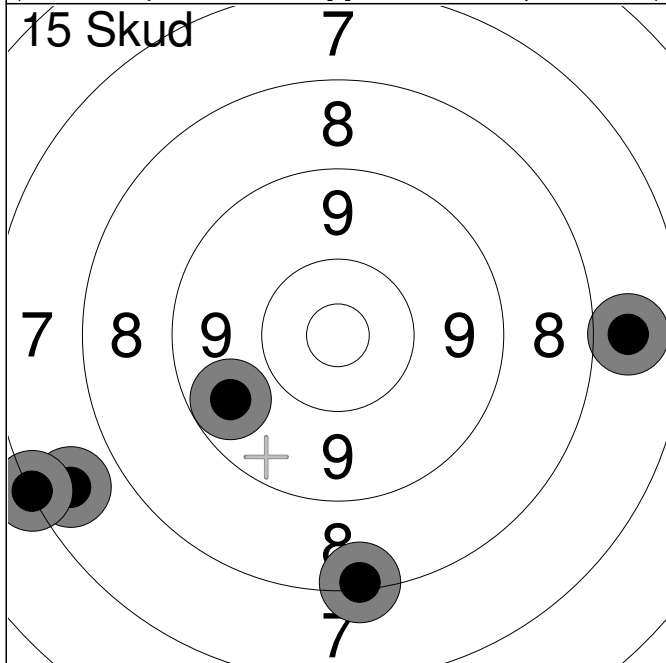
11:	5.7	→
12:	6.2	↘
13:	7.9	←
14:	9.5	←
15:	6.9	→
Serie		33.0
Total		123.0



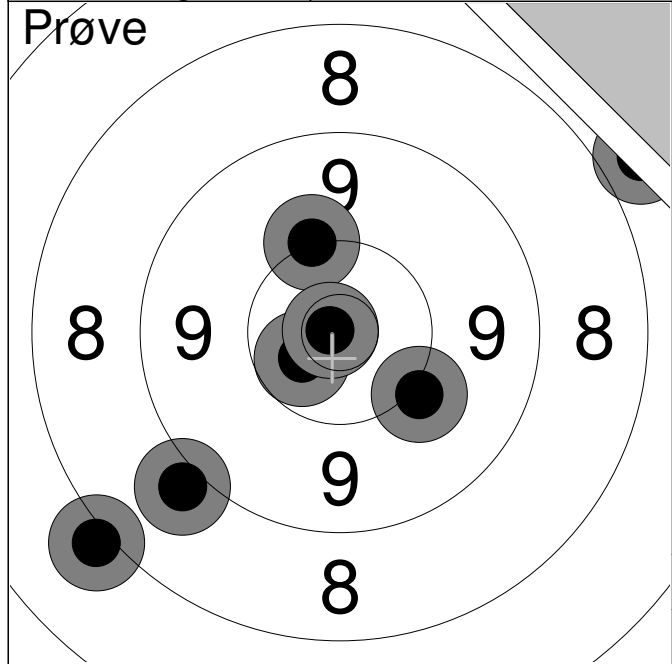
	1:	9.9	↓
	2:	8.4	←
	3:	5.2	←
	4:	6.7	←
	5:	8.7	↑
Serie			36.0
Total			0.0



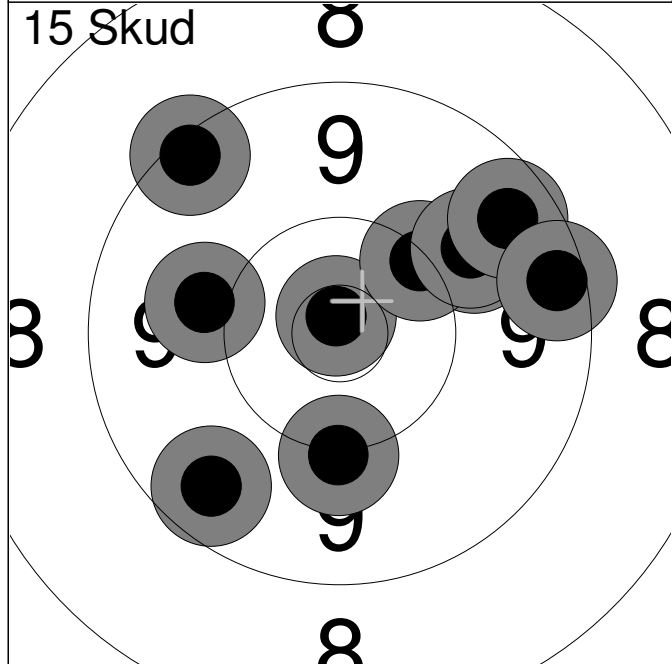
	1:	7.3	↑
	2:	10.2	→
	3:	6.9	↑
	4:	7.6	↑
	5:	7.1	↓
	6:	8.3	↓
	7:	7.7	↑
	8:	7.7	↗
	9:	6.9	→
	10:	8.1	↖
Serie			73.0
Total			73.0



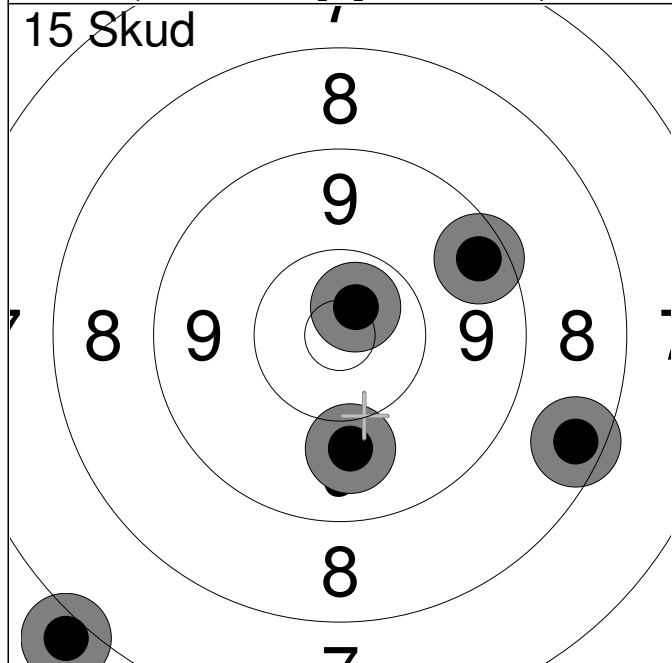
	11:	9.6	↖
	12:	7.8	→
	13:	7.6	↖
	14:	7.2	↖
	15:	8.3	↓
Serie			38.0
Total			111.0



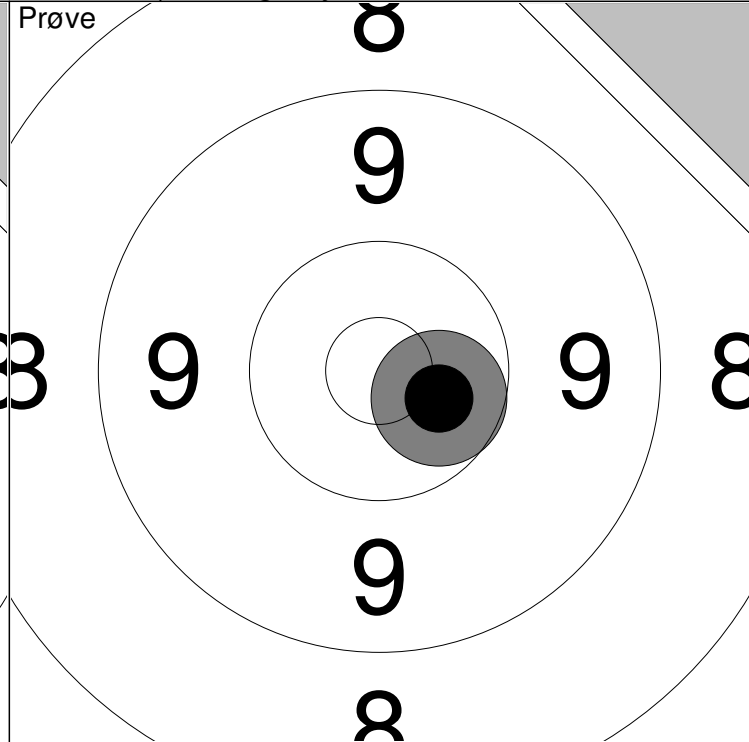
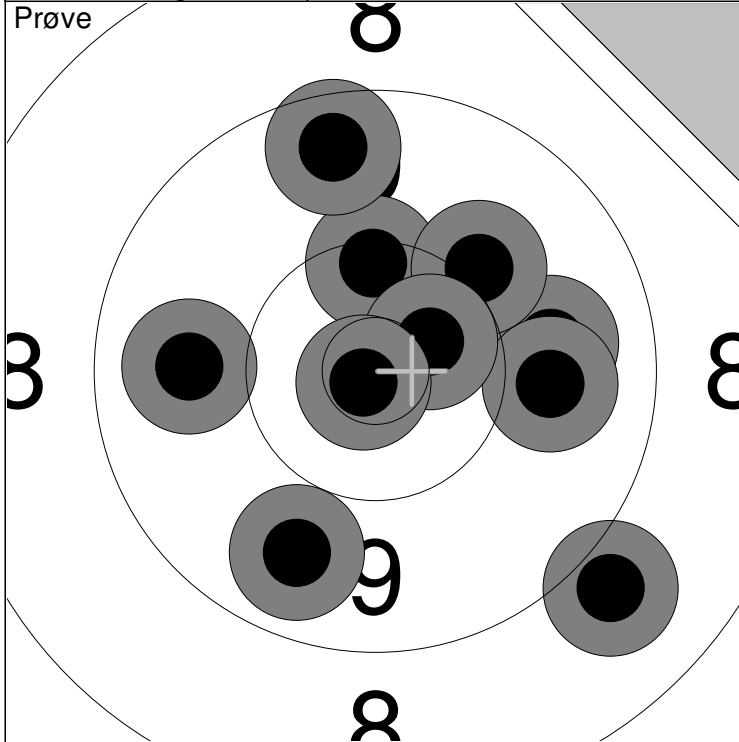
1:	7.8	↗
2:	8.1	↖
3:	9.0	↖
4:	10.1	↗
5:	*10.6	↖
6:	*10.9	↖
7:	10.1	↘
Serie		64.0
Total		0.0



1:	*10.8	↗
2:	9.9	↗
3:	10.2	↗
4:	9.9	↗
5:	9.5	↗
6:	9.6	↖
7:	9.3	↗
8:	10.1	↘
9:	10.0	↖
10:	9.4	↗
Serie		94.0
Total		94.0

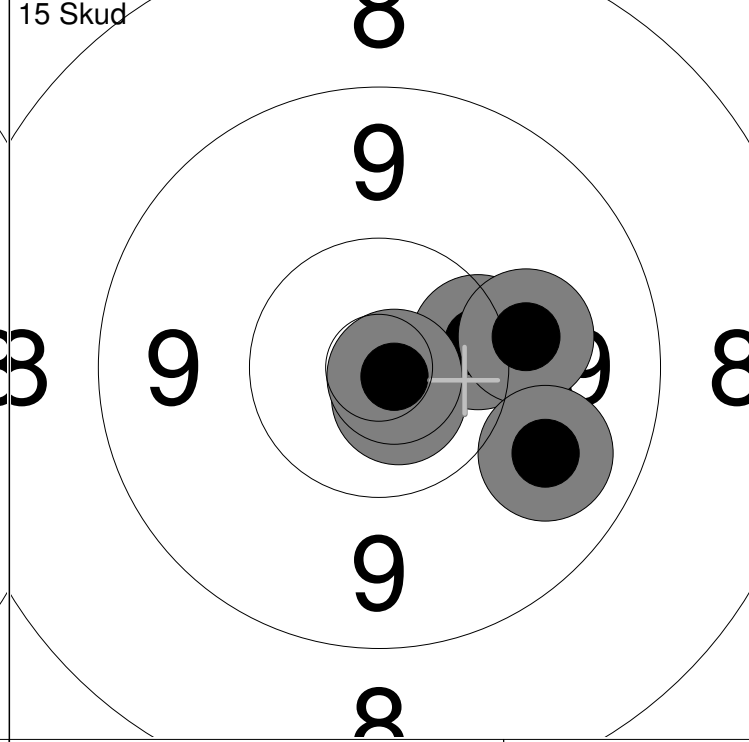
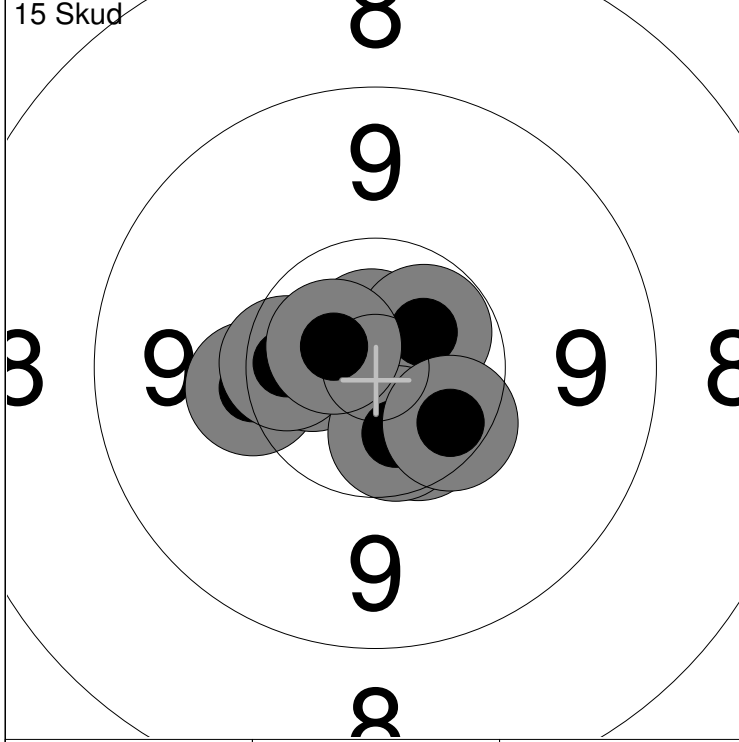


11:	9.5	↗
12:	9.9	↘
13:	7.0	↖
14:	*10.7	↗
15:	8.5	↘
Serie		43.0
Total		137.0



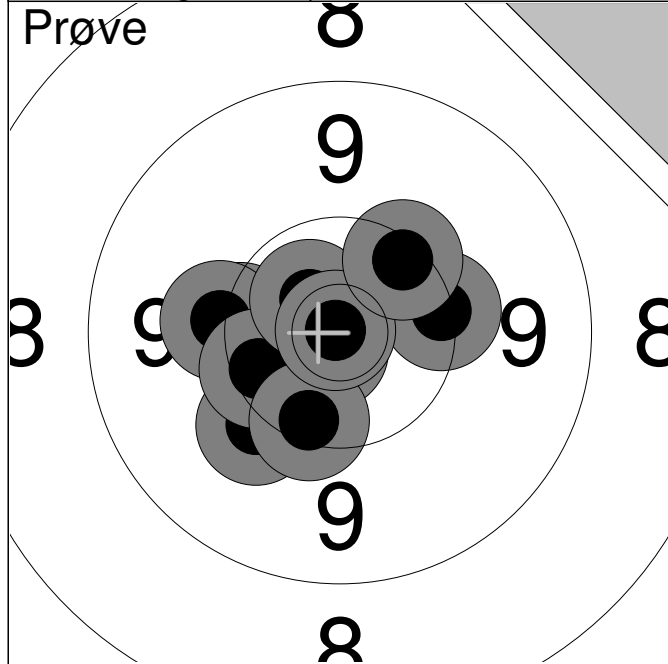
1: 8.9 ↘	6: 9.9 →	Serie	93.0
2: 9.7 ↘	7: 10.1 ↗		
3: 9.9 →	8: *10.6 ↗	Total	0.0
4: 10.3 ↑	9: 9.8 ←		
5: 9.5 ↑	10: *10.8 ↙		

11: *10.6 →	Serie	10.0
Total		0.0

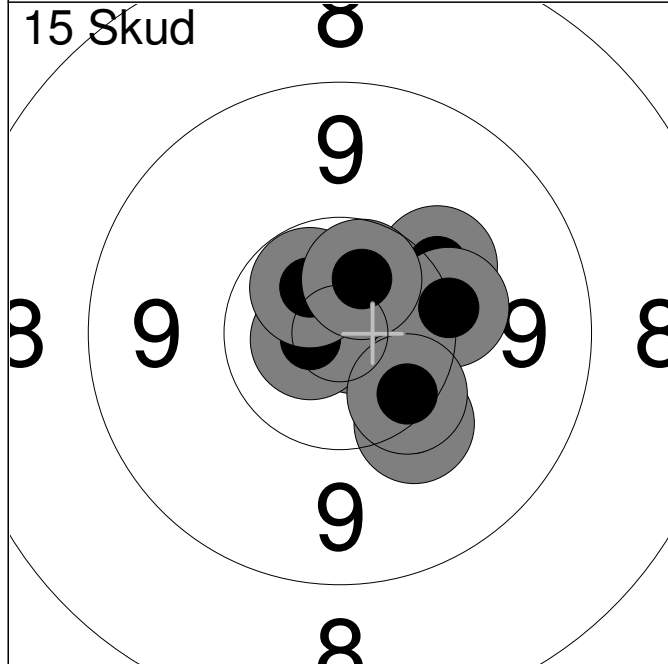


1: 10.2 ←	6: *10.8 ↑	Serie	100.0
2: *10.6 ←	7: *10.6 ↗		
3: 10.4 ←	8: *10.5 ↘	Total	100.0
4: *10.8 ↘	9: *10.7 ↗		
5: *10.5 ↘	10: 10.4 ↘		

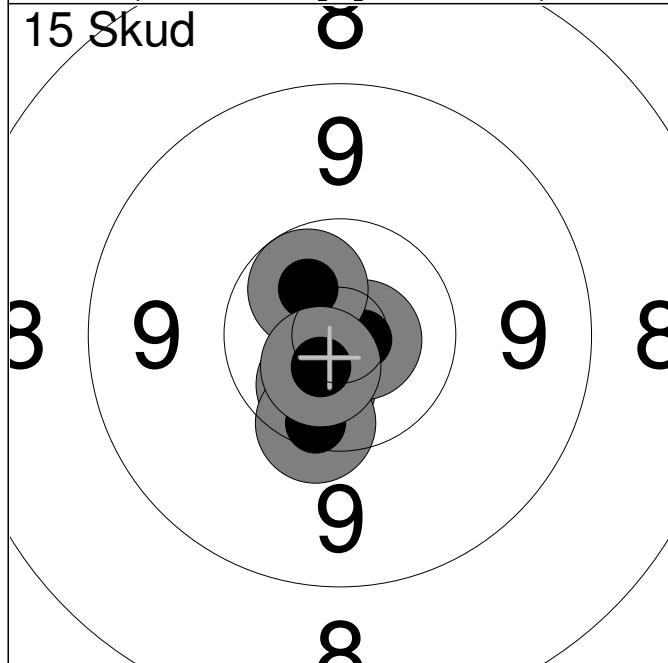
11: 10.3 →	Serie	49.0
12: *10.7 ↘		
13: 10.0 →	Total	149.0
14: *10.8 ↘		
15: 9.8 ↘		



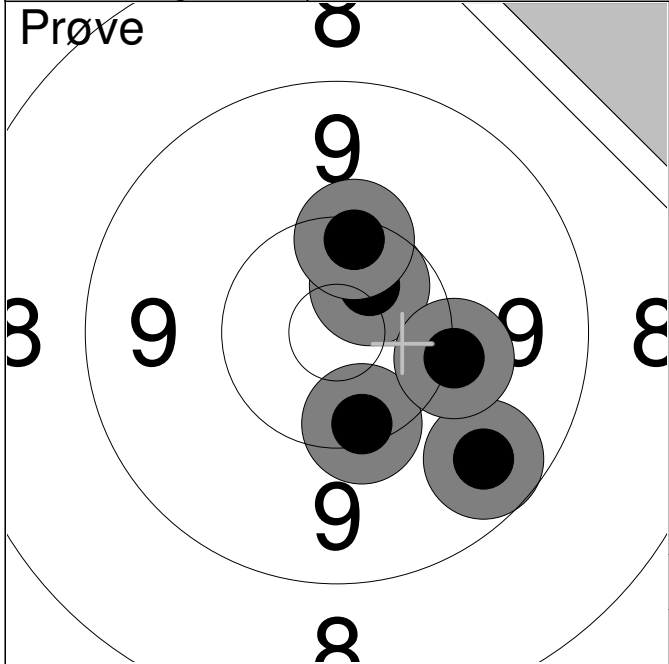
1:	10.3	←
2:	*10.8	↘
3:	10.1	↘
4:	10.1	←
5:	10.3	←
6:	*10.6	↗
7:	10.3	↘
8:	10.2	→
9:	*10.9	↗
10:	10.3	↗
Serie		100.0
Total		0.0



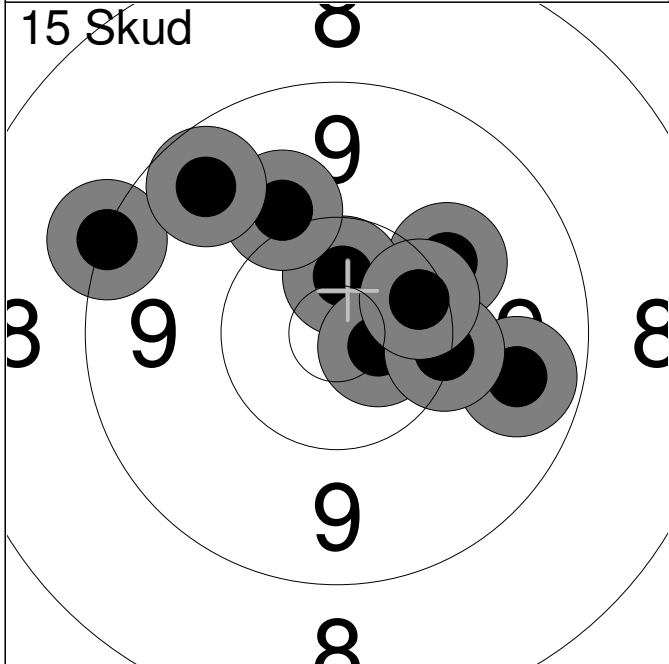
1:	*10.8	↗
2:	*10.8	→
3:	10.2	↘
4:	*10.9	↗
5:	10.1	↗
6:	10.2	→
7:	*10.7	←
8:	*10.6	↗
9:	*10.6	↗
10:	10.3	↘
Serie		100.0
Total		100.0



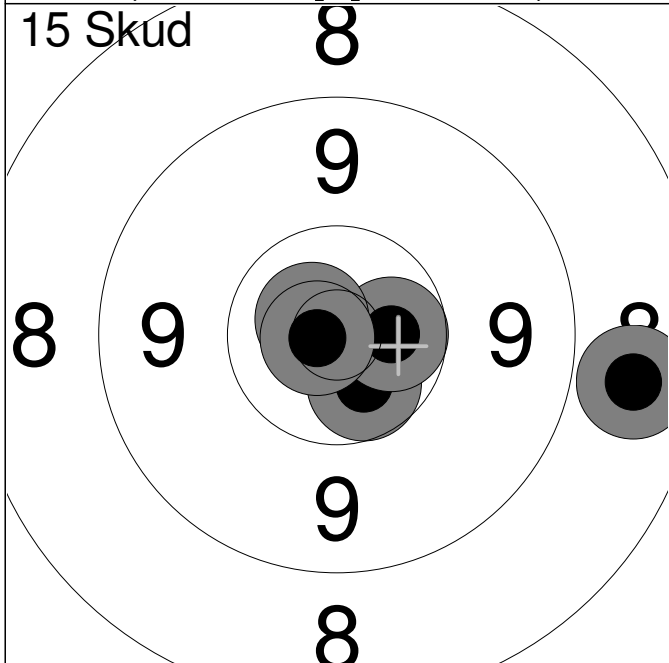
11:	*10.6	↘
12:	*10.8	→
13:	10.3	↘
14:	*10.6	↗
15:	*10.7	↘
Serie		50.0
Total		150.0



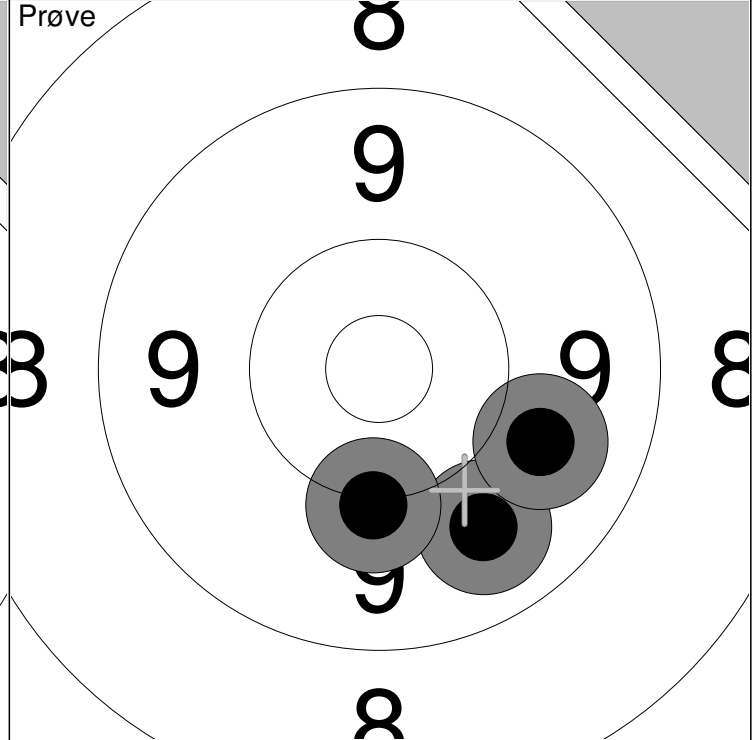
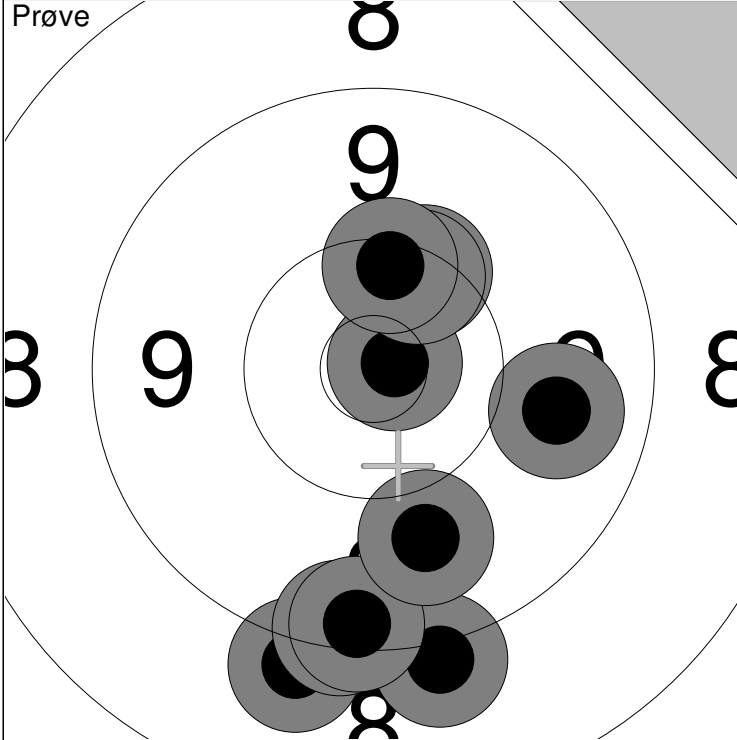
	1:	9.6	↘
	2:	10.3	↓
	3:	*10.6	↗
	4:	10.1	→
	5:	10.3	↑
Serie			49.0
Total			0.0



	1:	10.1	↗
	2:	*10.6	↑
	3:	9.7	→
	4:	*10.4	→
	5:	9.2	↗
	6:	*10.7	↘
	7:	10.0	↗
	8:	10.2	↘
	9:	9.6	↗
	10:	10.3	→
Serie			97.0
Total			97.0

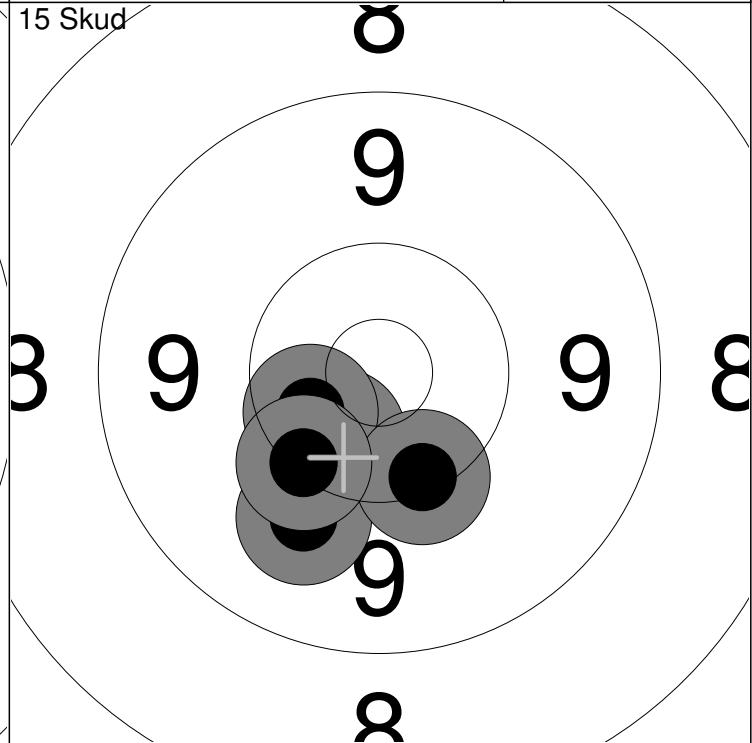
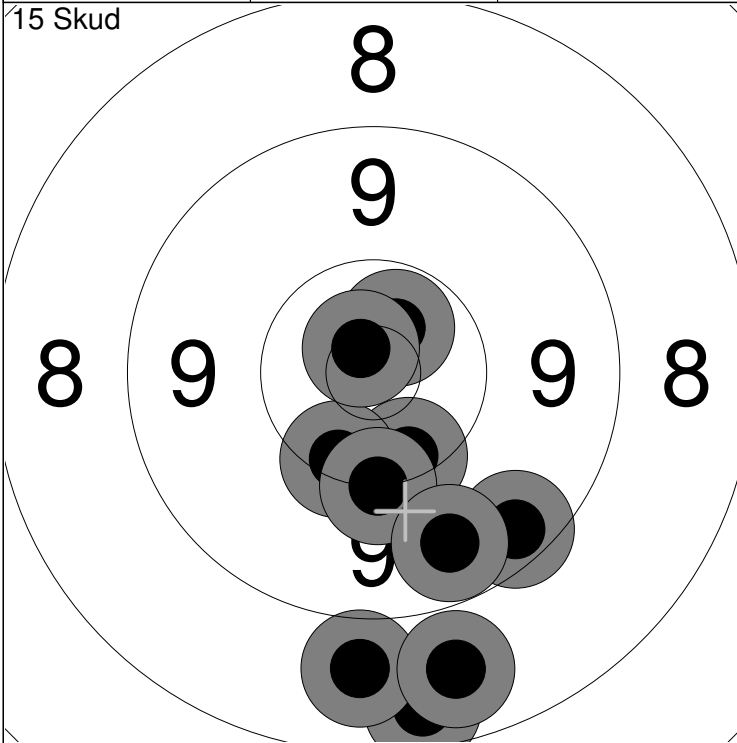


	11:	8.7	→
	12:	*10.6	↘
	13:	*10.6	→
	14:	*10.7	↗
	15:	*10.8	←
Serie			48.0
Total			145.0



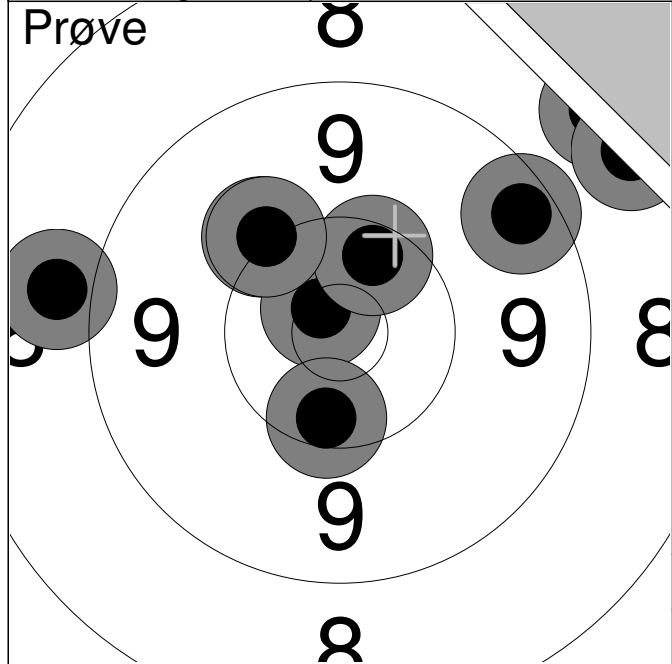
1: 10.3 ↗	6: 9.3 ↓	Serie	94.0
2: *10.8 →	7: 10.3 ↗		
3: 9.1 ↓	8: 9.3 ↓	Total	0.0
4: 9.8 →	9: 9.9 ↓		
5: 9.0 ↓	10: 10.3 ↑		

11: 9.8 ↓	Serie	28.0
12: 9.9 →		
13: 10.1 ↓	Total	0.0

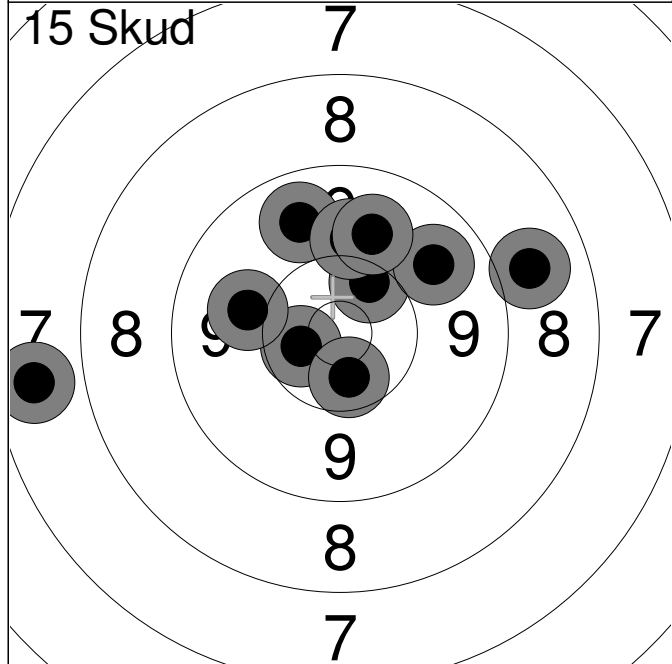


1: 10.3 ↓	6: 8.8 ↓	Serie	92.0
2: 10.3 ↓	7: *10.6 ↗		
3: 10.2 ↓	8: *10.8 ↗	Total	92.0
4: 8.5 ↓	9: 9.6 ↓		
5: 9.4 ↓	10: 8.7 ↓		

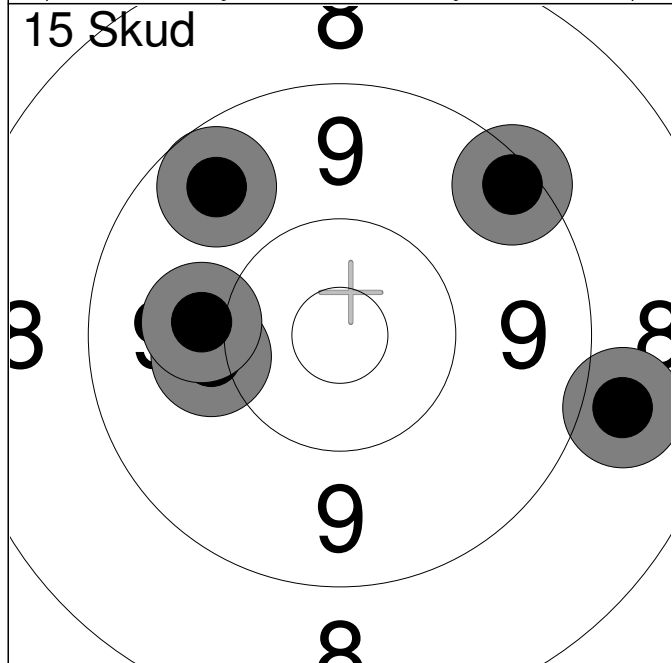
11: *10.5 ↓	Serie	50.0
12: 10.0 ↓		
13: *10.5 ↙	Total	142.0
14: 10.3 ↓		
15: 10.2 ↙		



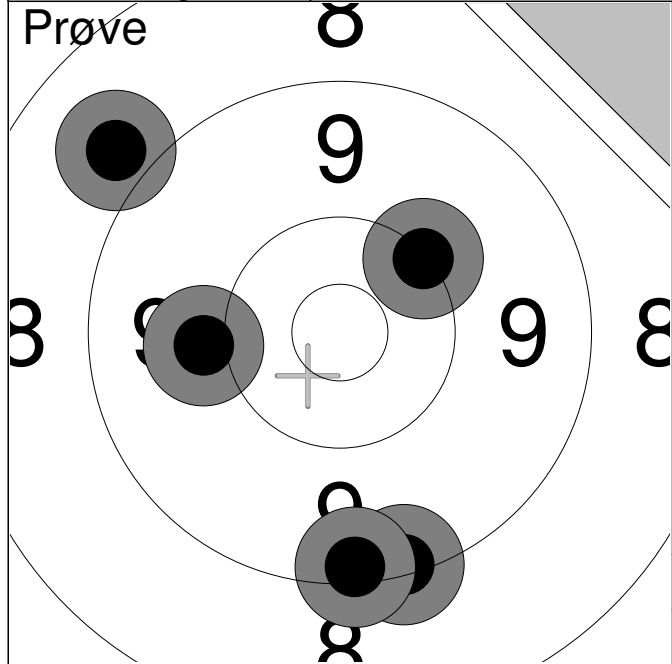
1:	8.9	←
2:	9.4	↗
3:	8.5	↗
4:	8.0	↗
5:	8.5	↗
6:	10.1	↗
7:	*10.7	↗
8:	10.4	↗
9:	10.1	↗
10:	10.4	↓
Serie		91.0
Total		0.0



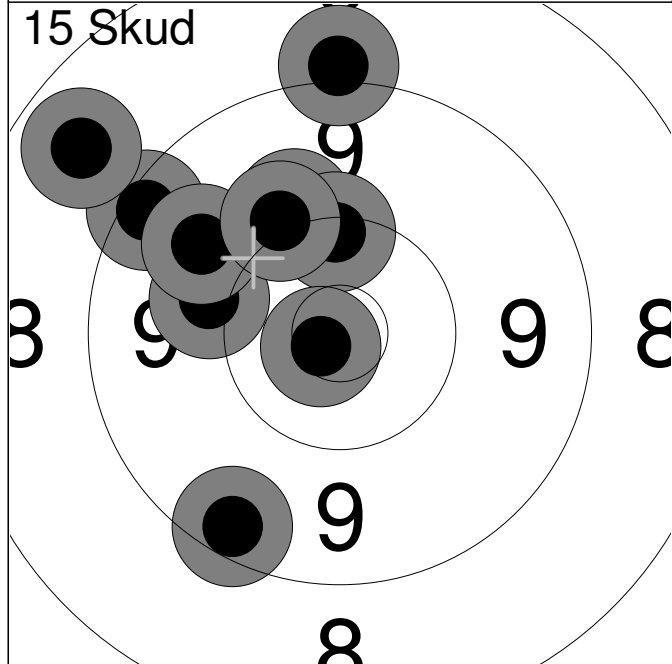
1:	*10.5	←
2:	*10.5	↓
3:	10.0	←
4:	10.3	↗
5:	9.7	↗
6:	8.8	→
7:	10.0	↑
8:	9.8	↗
9:	9.9	↑
10:	7.6	←
Serie		92.0
Total		92.0



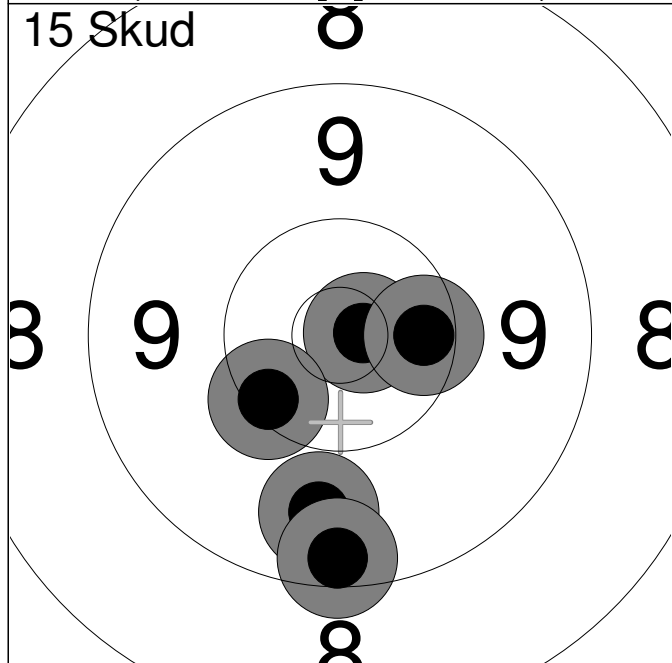
11:	9.3	↗
12:	8.9	→
13:	9.6	↗
14:	10.1	←
15:	10.0	←
Serie		46.0
Total		138.0



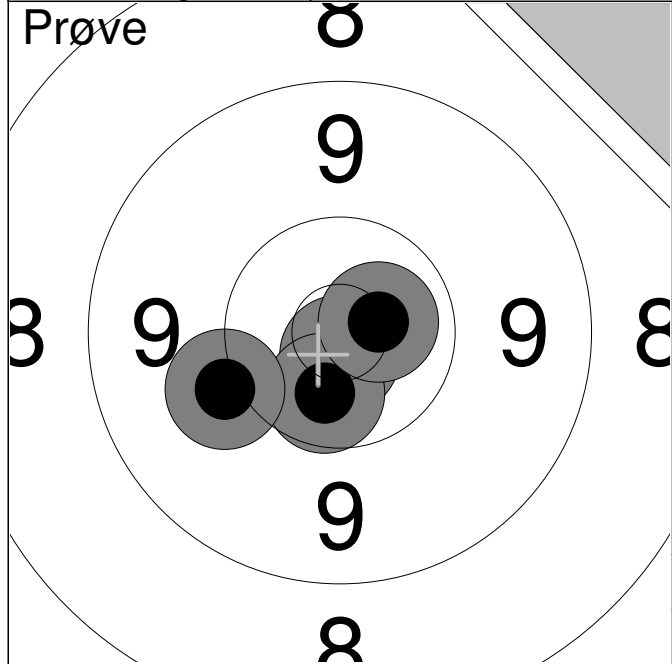
1:	9.2	↓
2:	10.0	←
3:	9.3	↓
4:	10.2	↗
5:	8.9	↖
Serie		46.0
Total		0.0



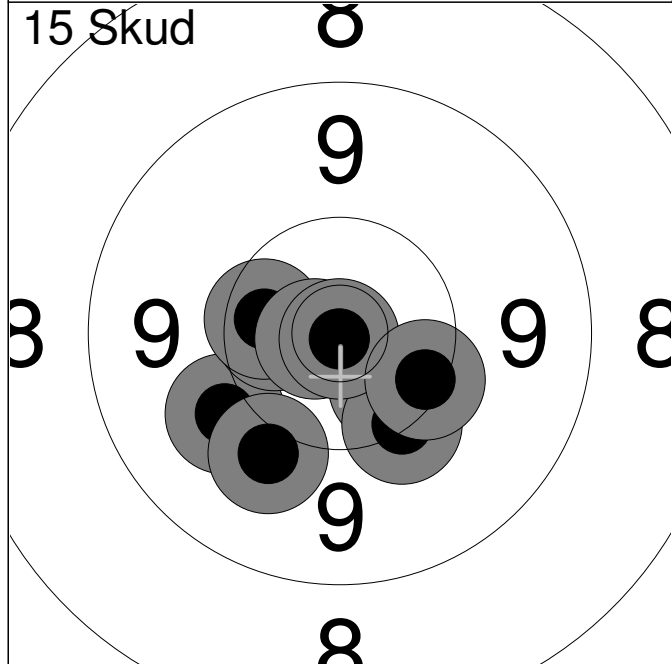
1:	10.0	←
2:	9.4	↘
3:	9.1	↑
4:	10.0	↗
5:	10.3	↑
6:	9.3	↗
7:	8.7	↗
8:	9.8	↗
9:	*10.8	↖
10:	10.1	↖
Serie		94.0
Total		94.0



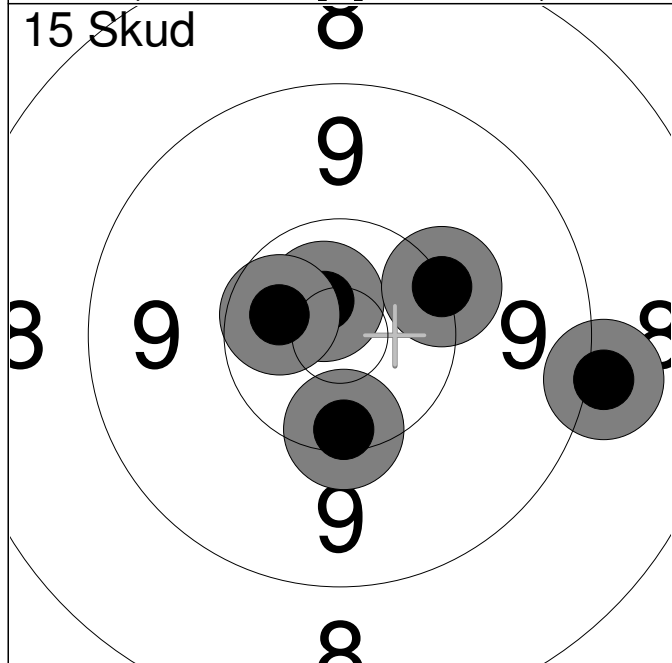
11:	*10.8	→
12:	9.7	↓
13:	10.3	↖
14:	10.4	→
15:	9.4	↓
Serie		48.0
Total		142.0



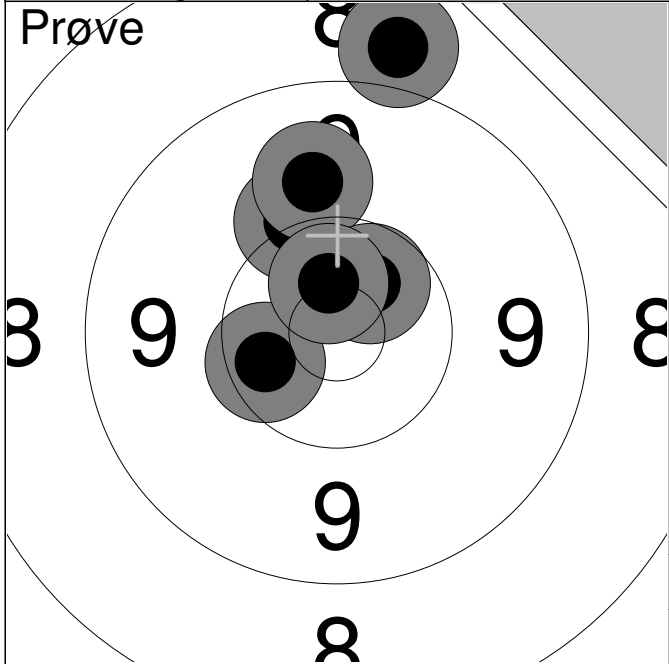
1:	*10.8	↓
2:	*10.5	↓
3:	10.1	↙
4:	*10.7	→
Serie		40.0
Total		0.0



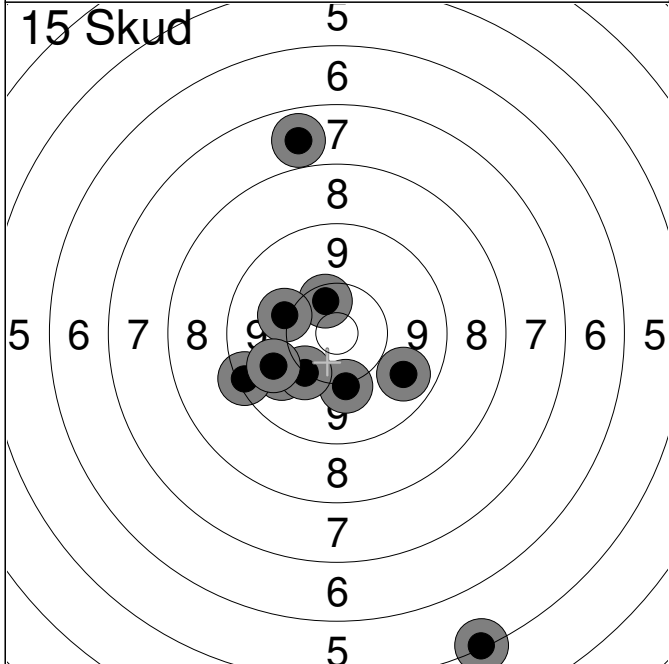
1:	10.0	↙
2:	*10.5	←
3:	10.3	↓
4:	*10.4	←
5:	*10.8	←
6:	*10.5	↓
7:	10.2	↓
8:	10.0	↓
9:	*10.9	↓
10:	10.3	↓
Serie		100.0
Total		100.0



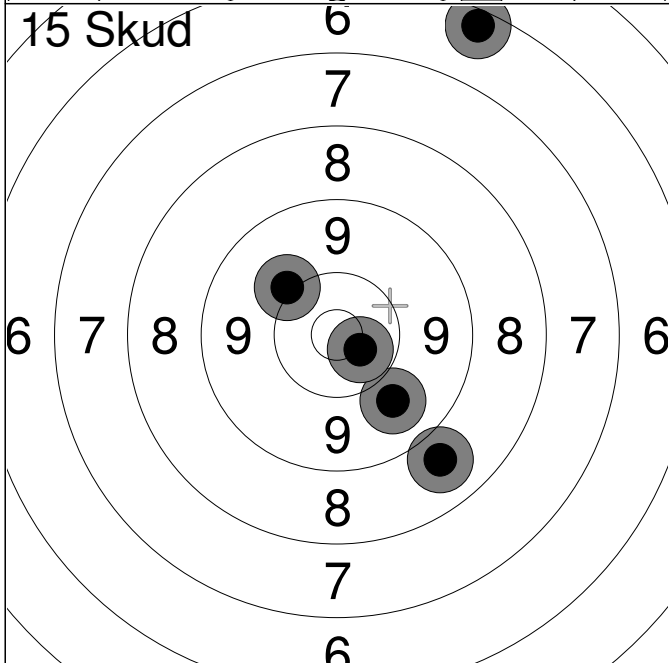
11:	*10.7	↗
12:	10.3	↓
13:	*10.5	↙
14:	10.2	↗
15:	9.1	→
Serie		49.0
Total		149.0



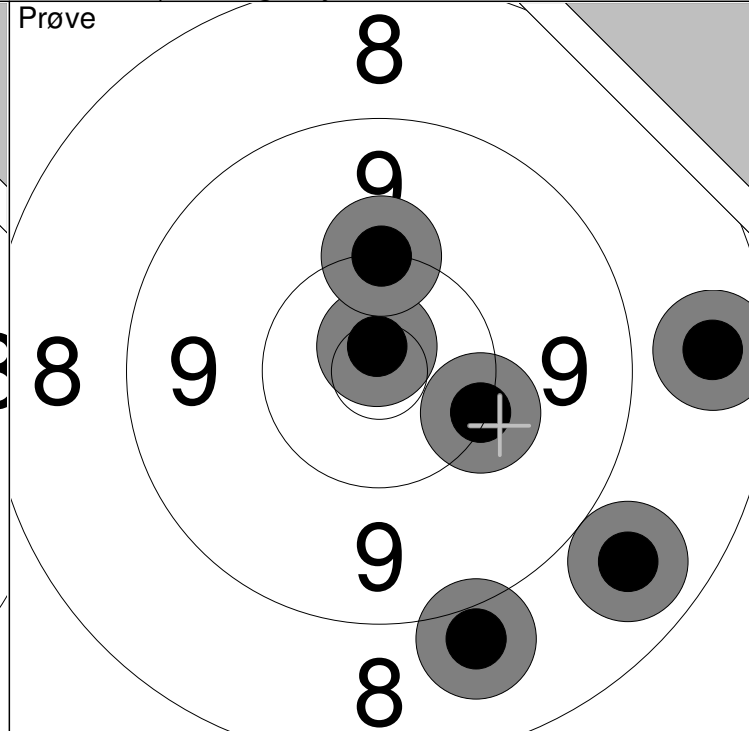
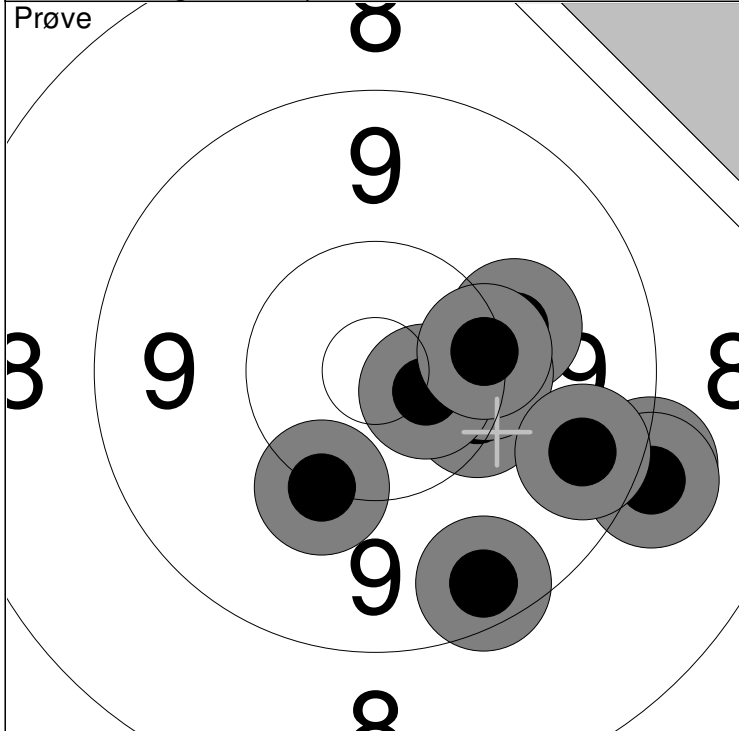
1:	10.1	↑
2:	*10.4	←
3:	9.9	↑
4:	8.9	↑
5:	*10.5	↗
6:	*10.6	↑
Serie		57.0
Total		0.0



1:	10.4	↑
2:	10.1	←
3:	9.9	↙
4:	9.7	↘
5:	10.1	↓
6:	7.7	↑
7:	9.3	←
8:	5.2	↓
9:	10.2	↙
10:	9.8	↙
Serie		88.0
Total		88.0

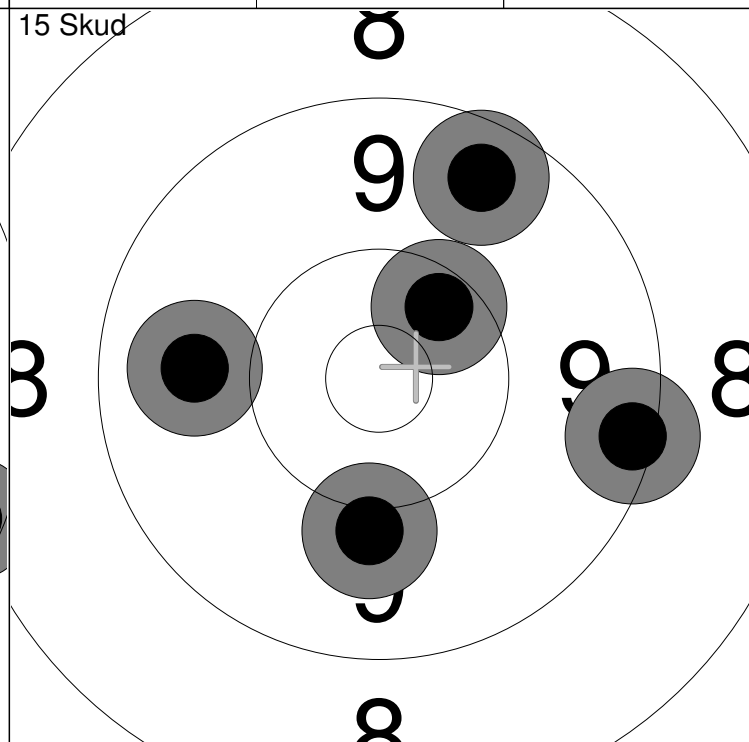
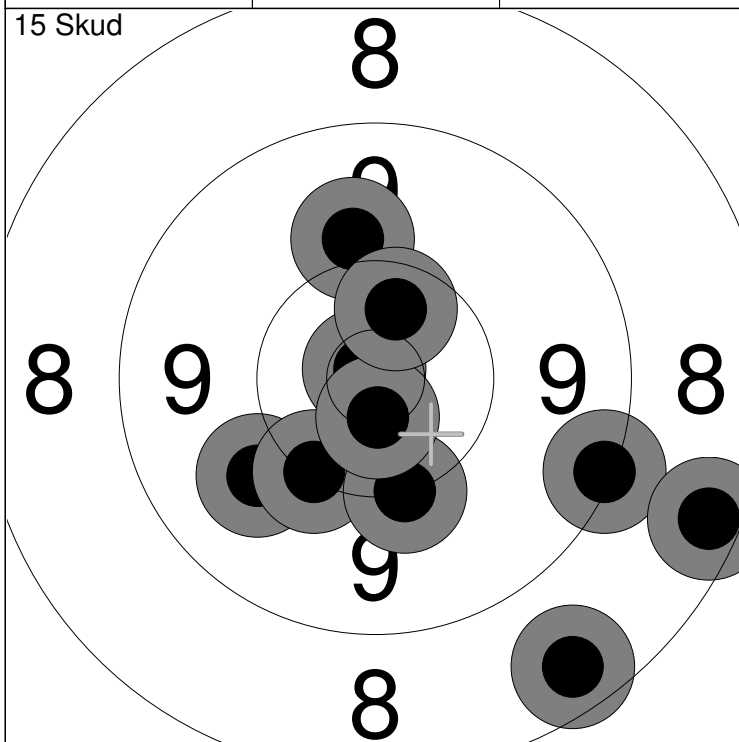


11:	6.4	↑
12:	8.8	↓
13:	9.8	↓
14:	*10.6	↘
15:	10.1	↗
Serie		43.0
Total		131.0



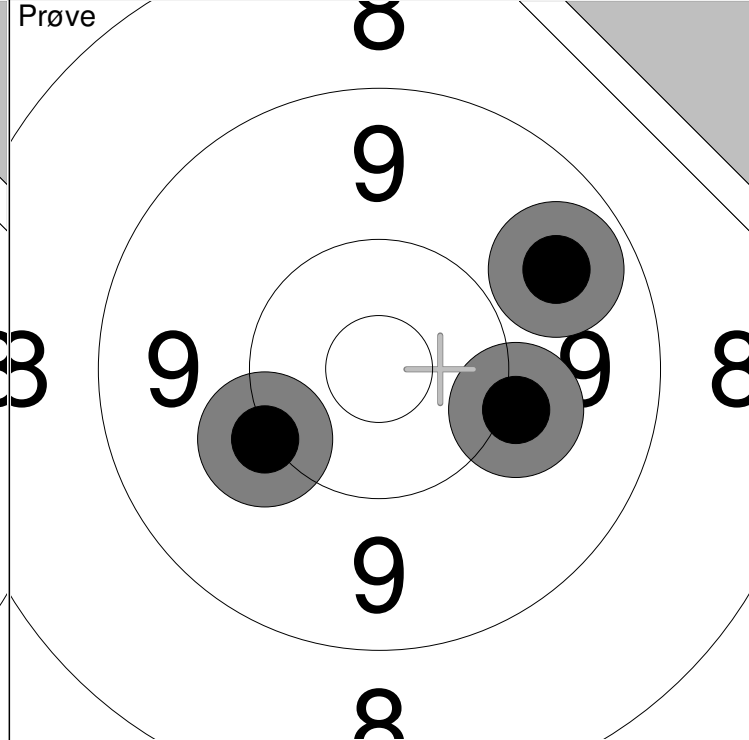
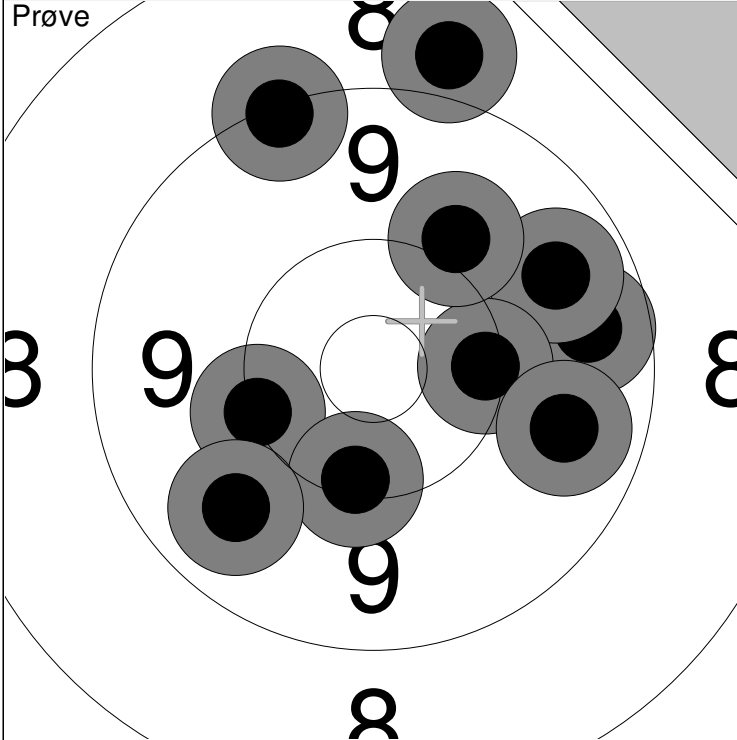
1: 9.1 →	6: *10.6 →	Serie	96.0
2: 10.3 →	7: 9.5 ↓		
3: 10.1 →	8: 10.3 →	Total	0.0
4: 10.3 →	9: 9.6 →		
5: 9.1 →	10: 10.2 ↓		

11: 8.7 ↓	16: 10.2 ↑	Serie	54.0
12: *10.8 ↑			
13: 8.6 →		Total	0.0
14: 8.9 ↓			
15: 10.2 →			



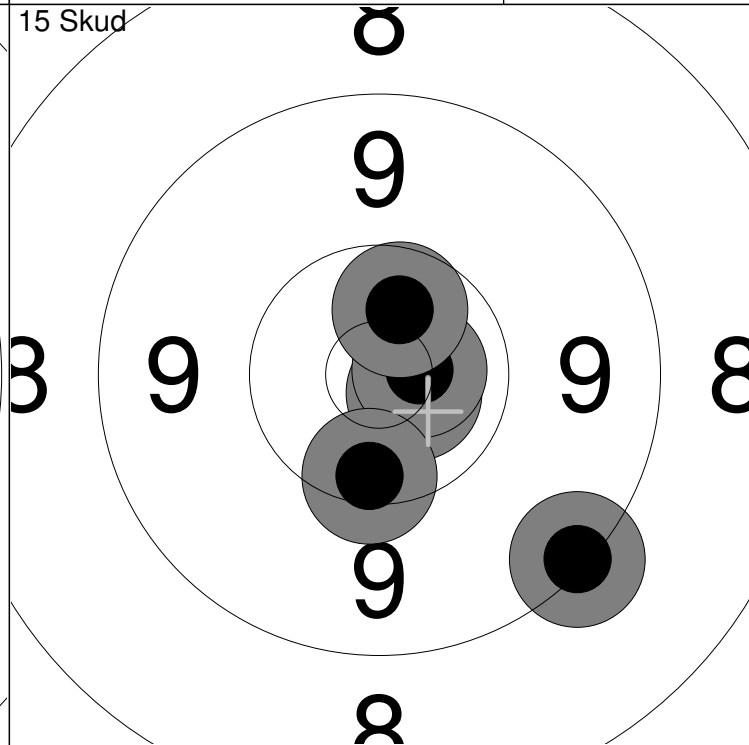
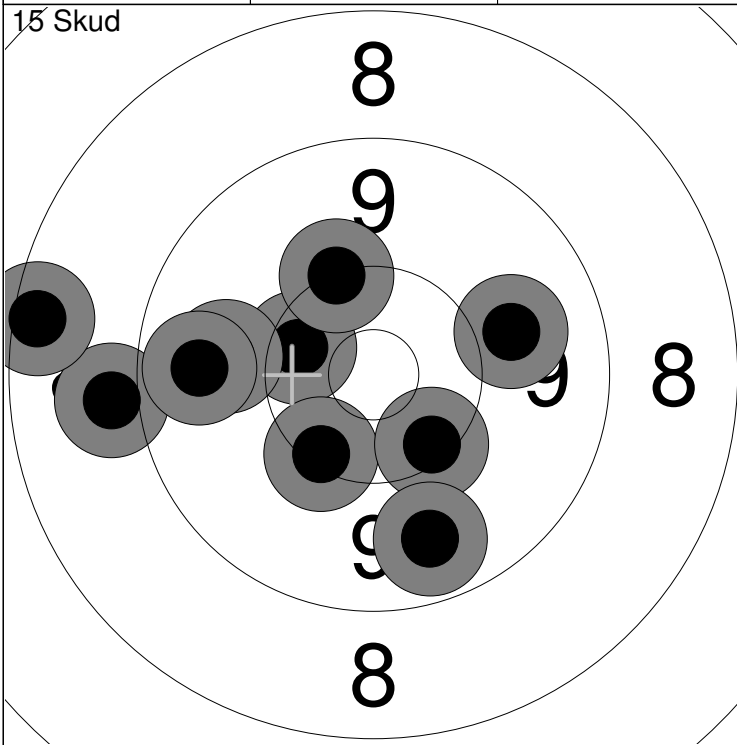
1: 9.9 ↙	6: *10.7 ↓	Serie	94.0
2: 10.2 ↙	7: 9.2 →		
3: *10.9 ↗	8: 8.4 →	Total	94.0
4: 8.5 ↓	9: 10.0 ↑		
5: 10.2 ↓	10: *10.5 ↑		

11: 10.0 ↓	Serie	47.0
12: 9.8 ←		
13: 9.5 ↗	Total	141.0
14: 9.3 →		
15: 10.4 ↗		



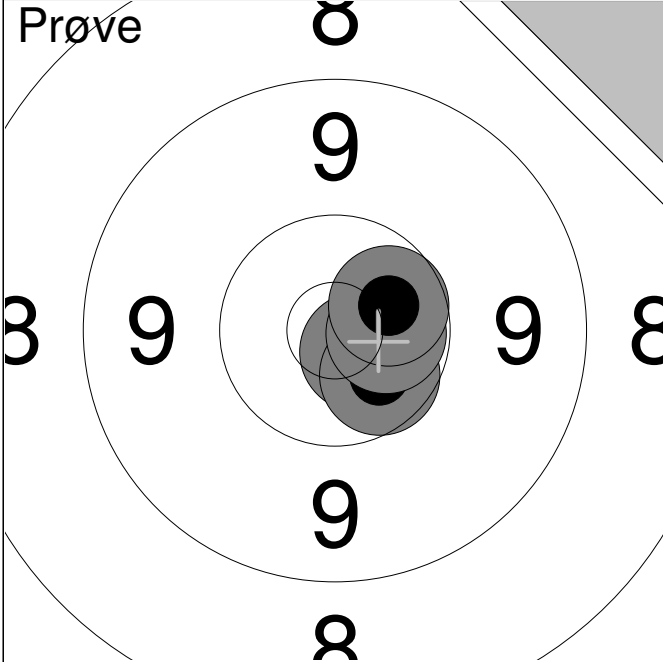
1: 8.9 ↑	6: 10.0 ↗	Serie	93.0
2: 9.6 →	7: 10.2 ←		
3: 9.2 ↑	8: 9.7 →	Total	0.0
4: 9.7 ↗	9: 10.3 ↓		
5: 10.3 →	10: 9.7 ↙		

11: 9.7 ↗	Serie	29.0
12: 10.1 →		
13: 10.1 ↙	Total	0.0

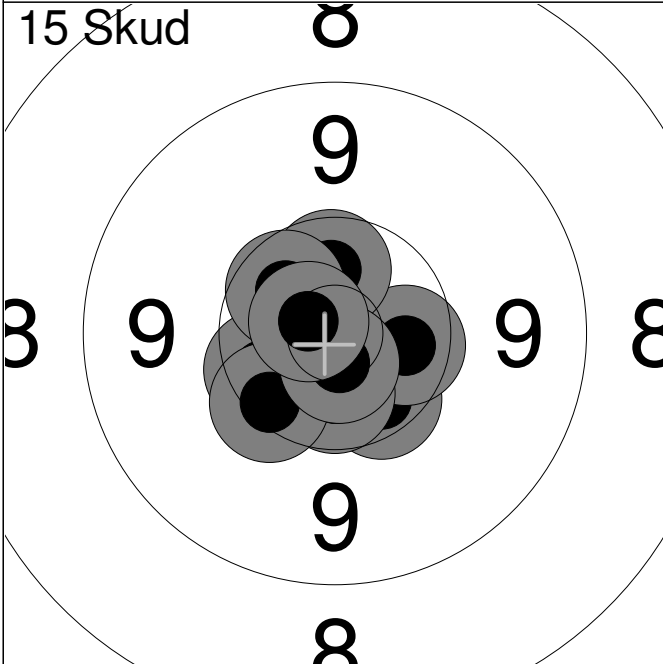


1: 9.0 ←	6: 10.2 ↗	Serie	93.0
2: 10.4 ←	7: 9.9 →		
3: 9.9 ←	8: 10.3 ↓	Total	93.0
4: 9.7 ←	9: 10.3 ↓		
5: 8.4 ←	10: 9.7 ↓		

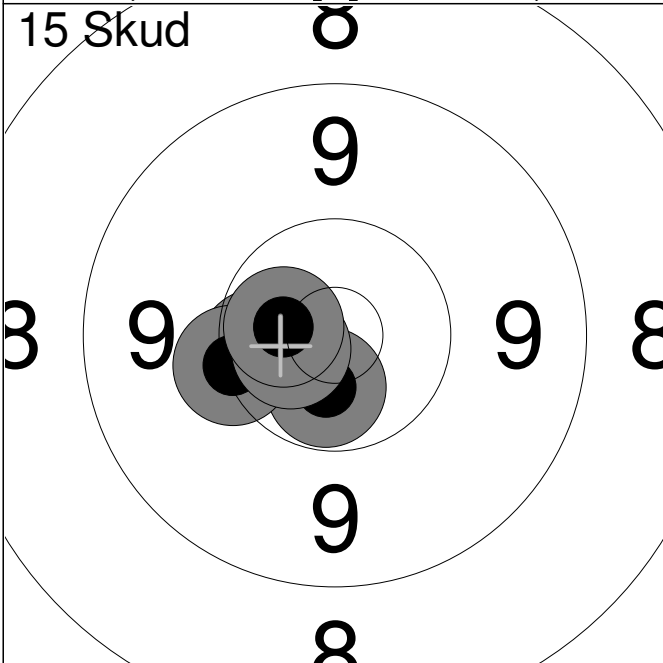
11: *10.7 →	Serie	49.0
12: *10.7 →		
13: 10.3 ↓	Total	142.0
14: 9.2 ↘		
15: *10.5 ↑		



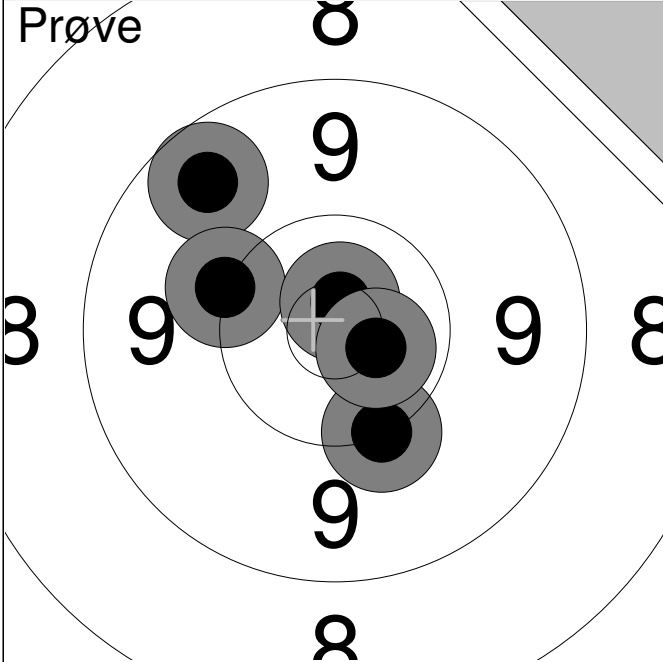
	1:	*10.7	↘
	2:	*10.5	↘
	3:	*10.6	→
	4:	*10.5	→
Serie			40.0
Total			0.0



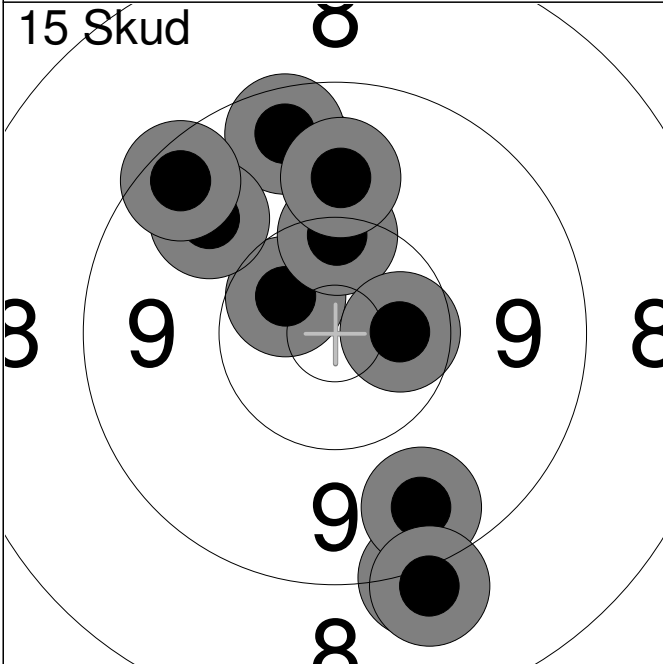
	1:	10.4	↘
	2:	*10.5	→
	3:	*10.4	↙
	4:	*10.5	↑
	5:	10.4	↙
	6:	*10.5	↓
	7:	10.3	↙
	8:	*10.7	↓
	9:	*10.5	↗
	10:	*10.8	↗
Serie			100.0
Total			100.0



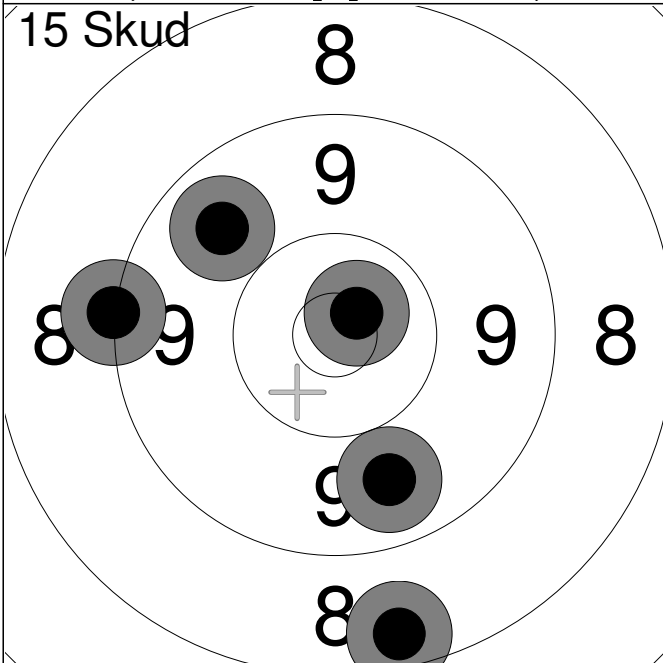
	11:	*10.4	←
	12:	*10.6	↓
	13:	10.2	←
	14:	*10.6	←
	15:	*10.6	←
Serie			50.0
Total			150.0



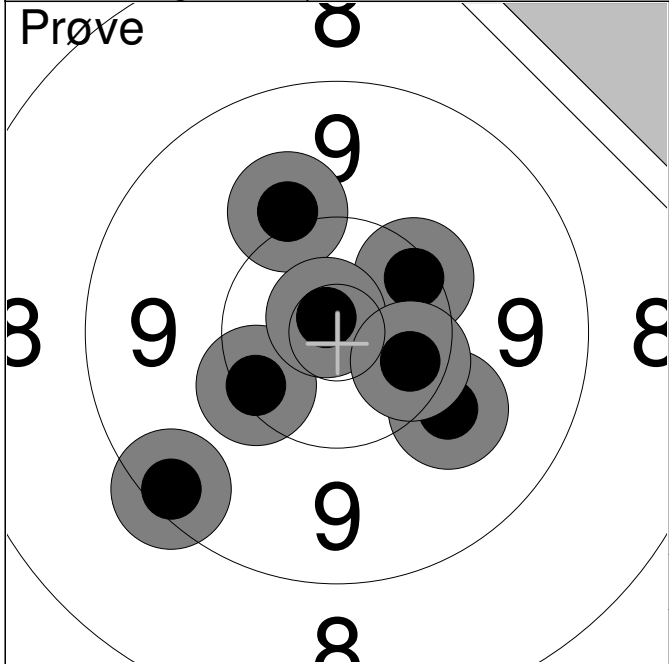
1:	9.6	↗
2:	10.2	↘
3:	10.1	↗
4:	*10.8	↗
5:	*10.6	↘
Serie		49.0
Total		0.0



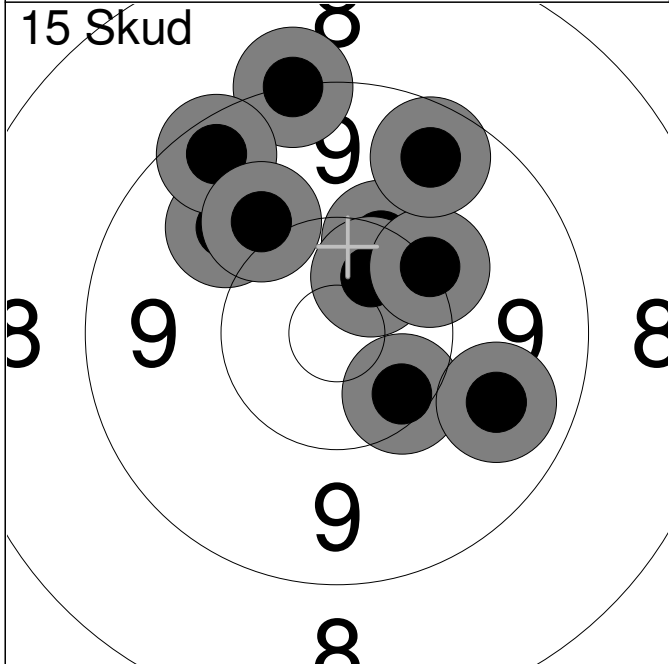
1:	9.1	↘
2:	*10.5	↗
3:	10.3	↗
4:	9.6	↘
5:	*10.5	→
6:	9.5	↗
7:	9.0	↘
8:	9.9	↗
9:	9.8	↗
10:	9.4	↗
Serie		93.0
Total		93.0



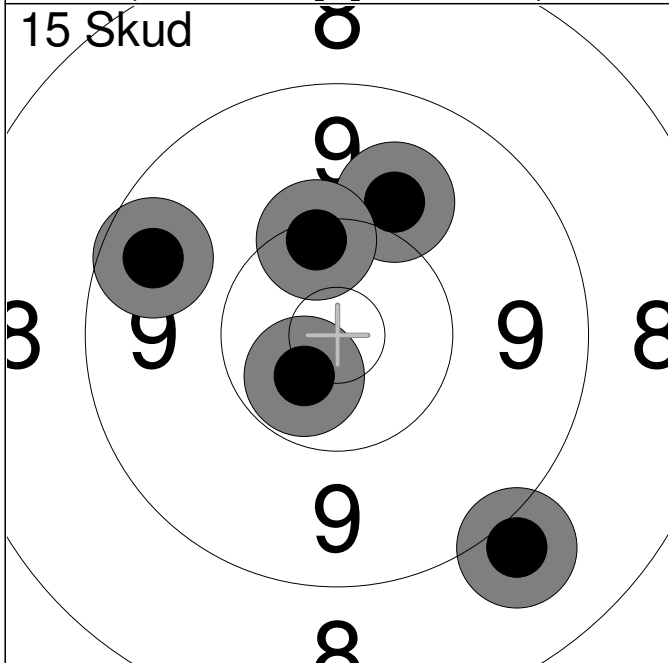
11:	9.7	↘
12:	9.7	↗
13:	9.2	←
14:	8.5	↘
15:	*10.7	↗
Serie		45.0
Total		138.0



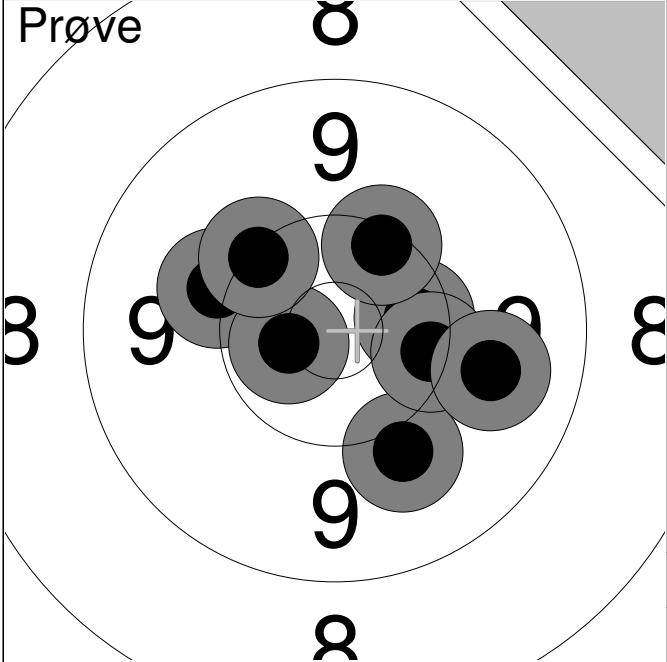
1:	10.0	↘
2:	9.3	↙
3:	10.1	↗
4:	10.3	↗
5:	10.3	↙
6:	*10.8	↗
7:	10.4	↘
Serie		69.0
Total		0.0



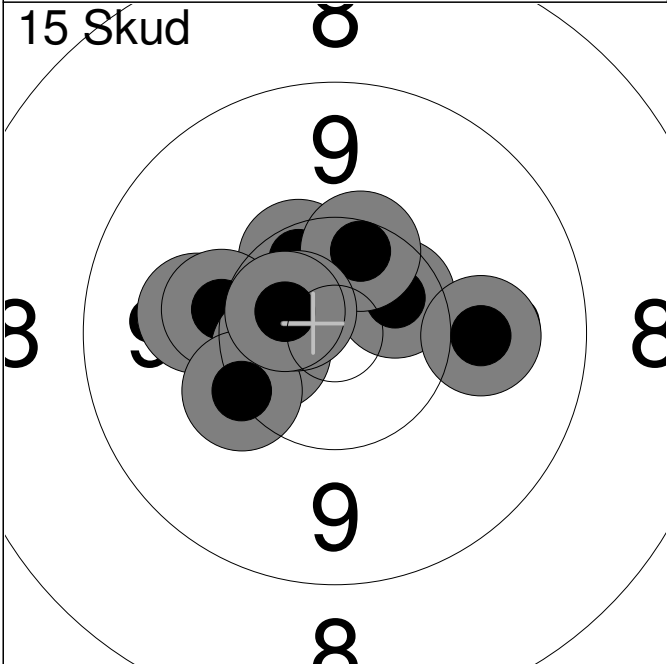
1:	10.3	↘
2:	9.2	↗
3:	9.7	↘
4:	10.2	↗
5:	9.9	↗
6:	9.4	↗
7:	*10.5	↗
8:	10.0	↗
9:	10.2	↗
10:	9.6	↗
Serie		95.0
Total		95.0



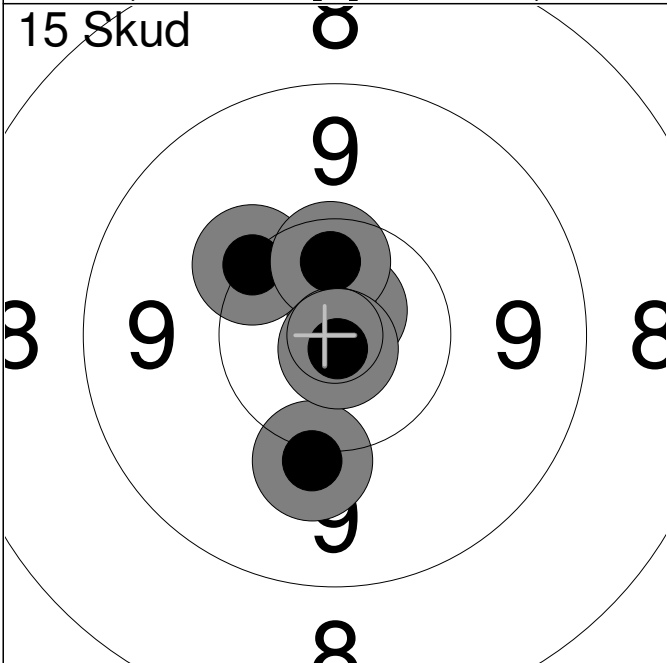
11:	9.6	↙
12:	10.0	↗
13:	*10.6	↙
14:	10.3	↗
15:	9.0	↘
Serie		48.0
Total		143.0



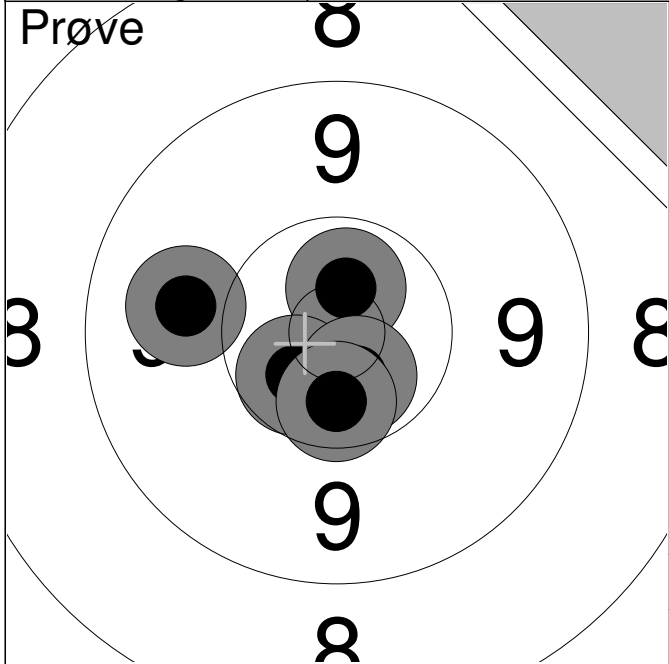
1:	10.4	→
2:	10.0	↘
3:	10.1	↗
4:	*10.6	←
5:	10.3	→
6:	9.8	↘
7:	10.3	↗
8:	10.2	↗
Serie		79.0
Total		0.0



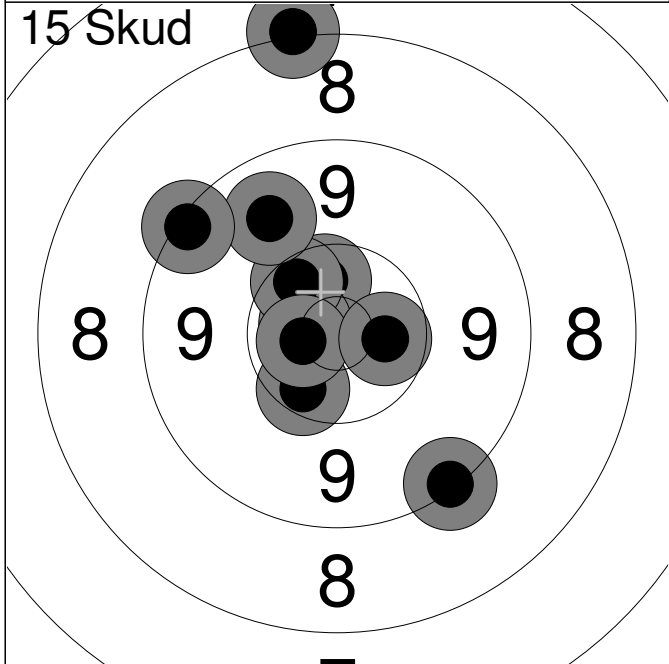
1:	10.4	↗
2:	*10.5	↗
3:	10.0	→
4:	10.4	↗
5:	10.0	←
6:	10.2	←
7:	*10.5	←
8:	10.2	↘
9:	*10.6	↗
10:	*10.6	↗
Serie		100.0
Total		100.0



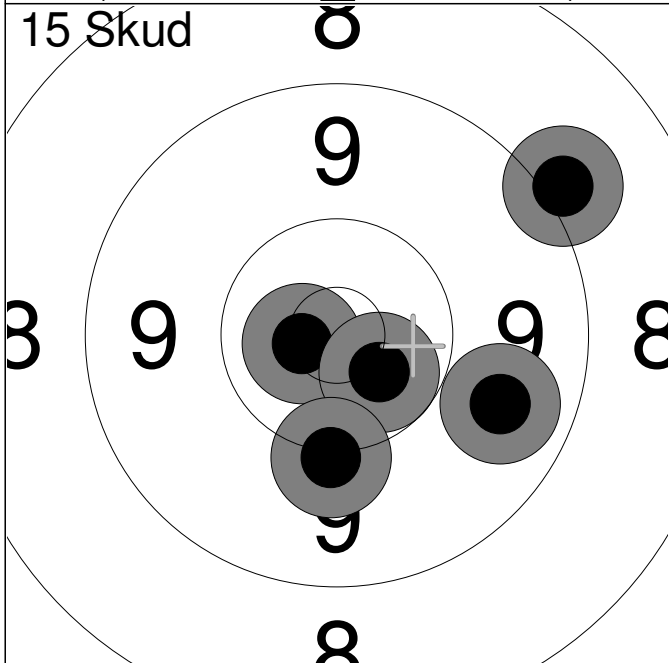
11:	10.1	↘
12:	*10.8	↗
13:	10.2	↗
14:	*10.5	↗
15:	*10.9	↘
Serie		50.0
Total		150.0



1:	9.9	←
2:	*10.6	↑
3:	*10.5	↙
4:	*10.6	↘
5:	*10.5	↓
Serie		49.0
Total		0.0



1:	*10.5	↑
2:	*10.7	←
3:	10.4	↙
4:	10.4	↗
5:	*10.6	←
6:	9.8	↗
7:	9.2	↘
8:	8.1	↑
9:	*10.5	→
10:	9.3	↗
Serie		95.0
Total		95.0

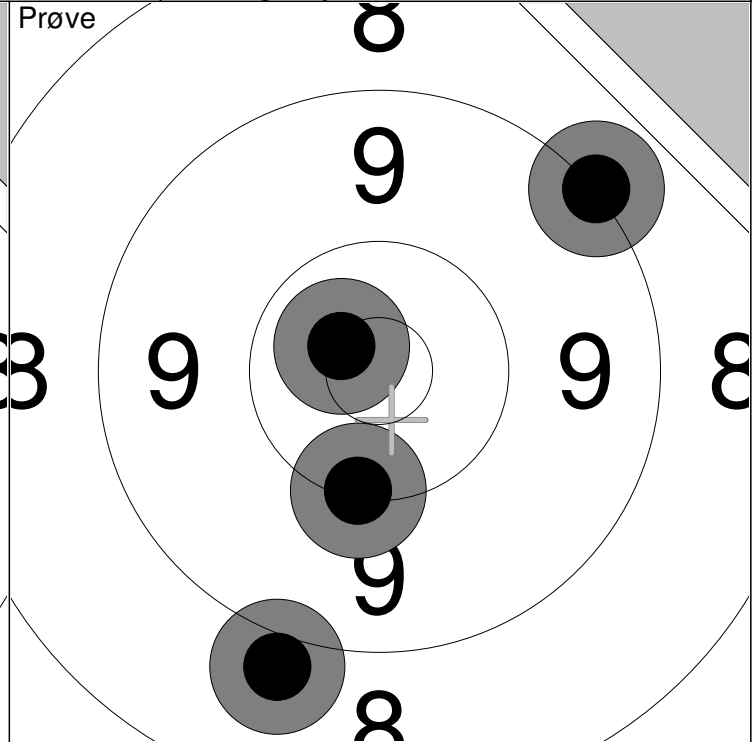
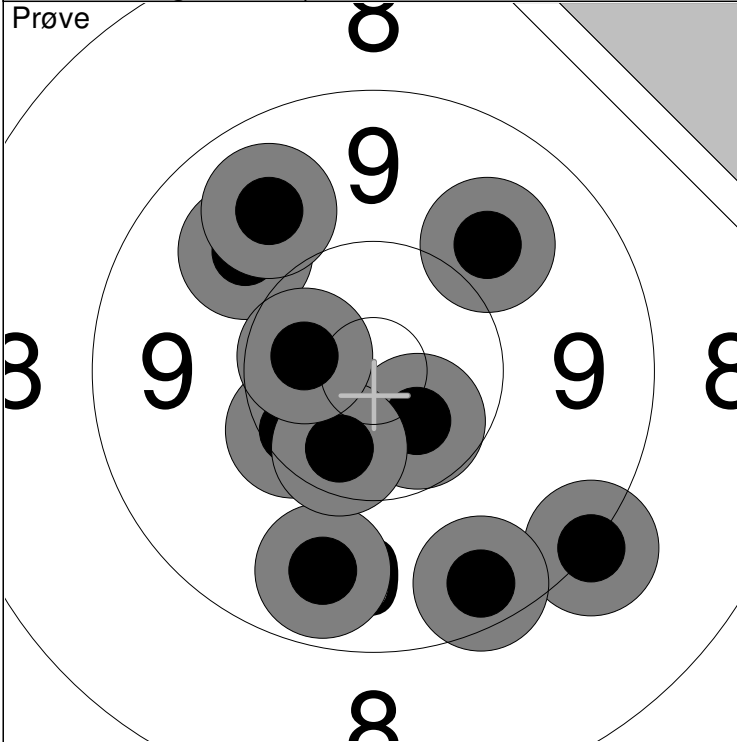


11:	*10.7	←
12:	9.0	↗
13:	*10.6	↘
14:	9.7	↘
15:	10.1	↓
Serie		48.0
Total		143.0

Aalborg Skyttekreds

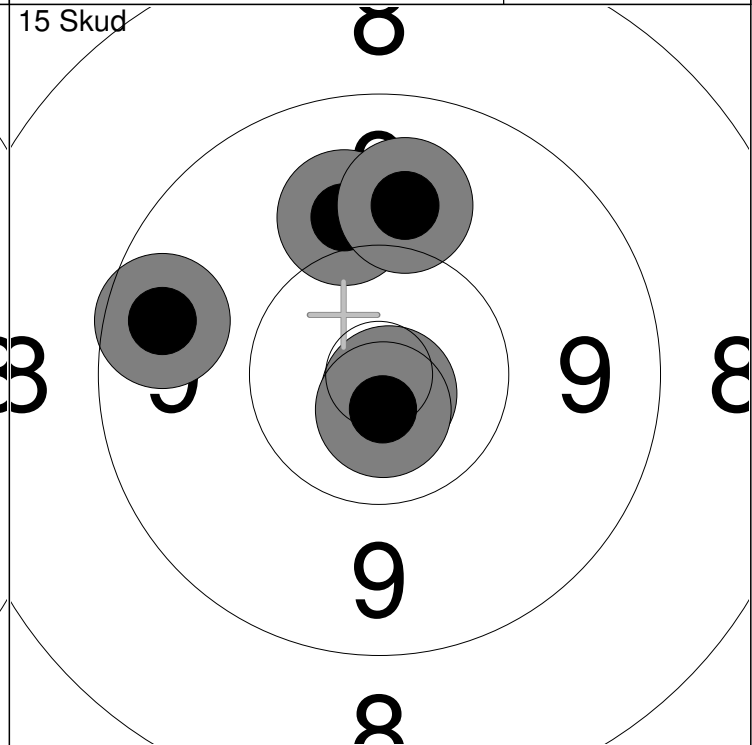
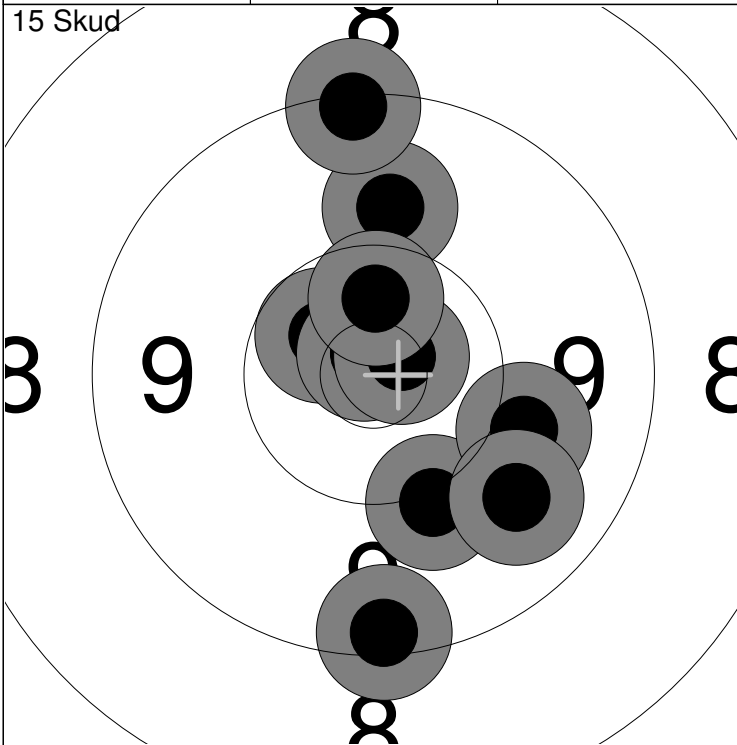
27. - 28. august 2011 NM 2011

Aalborg Skyttekreds



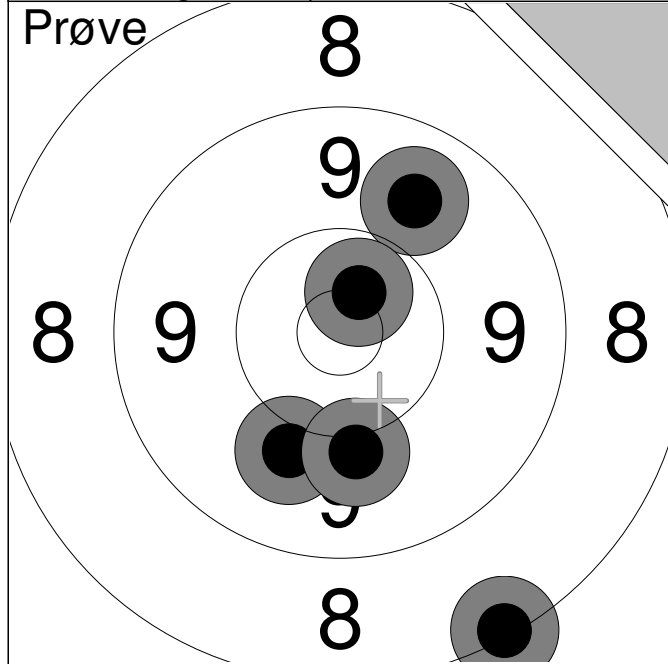
1: 9.7 ↓	6: *10.4 ↓	Serie	94.0
2: 9.2 ↓	7: 9.9 ↗		
3: *10.5 ↓	8: *10.5 ←	Total	0.0
4: 9.5 ↓	9: 9.8 ↗		
5: 10.3 ↙	10: 9.9 ↗		

11: 9.2 ↗	Serie	38.0
12: 10.2 ↓		
13: 9.0 ↓	Total	0.0
14: *10.7 ↙		

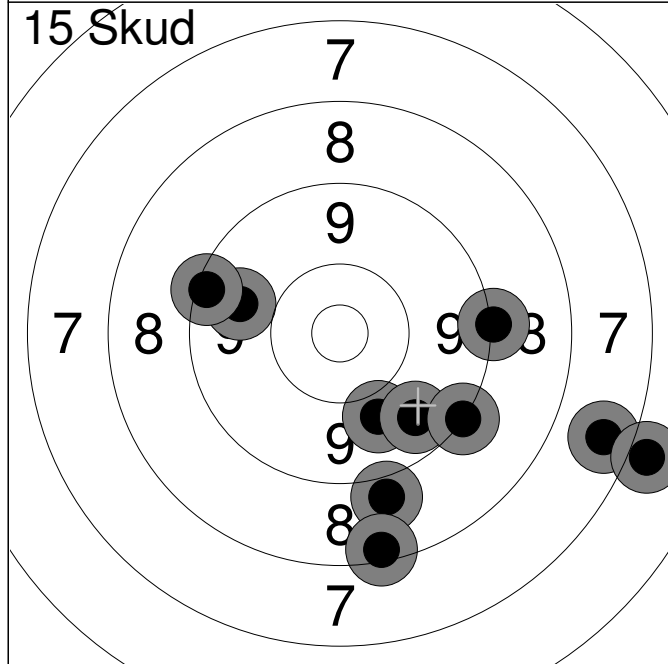


1: *10.6 ↗	6: 9.3 ↑	Serie	96.0
2: *10.8 ↗	7: 9.3 ↓		
3: *10.7 ↗	8: 10.0 →	Total	96.0
4: 9.9 ↑	9: 9.8 ↓		
5: 10.1 ↓	10: *10.5 ↑		

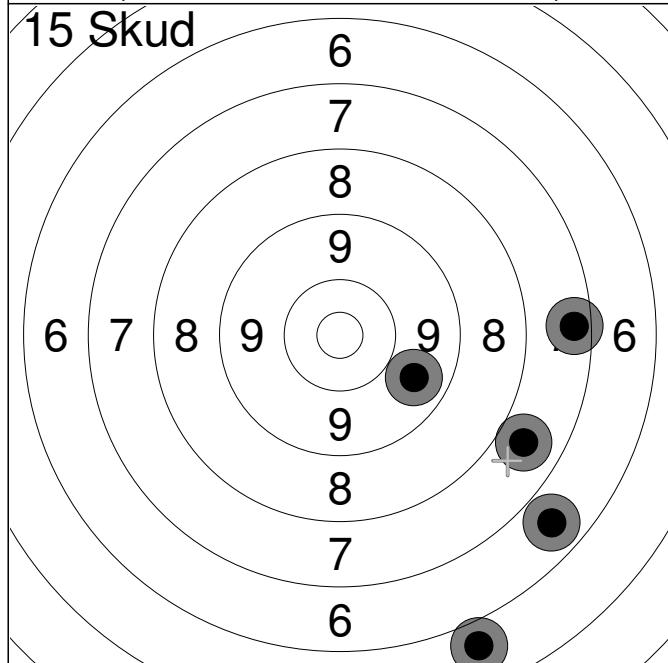
11: *10.8 ↓	Serie	48.0
12: 10.0 ↑		
13: 9.9 ↑	Total	144.0
14: *10.7 ↓		
15: 9.6 ←		



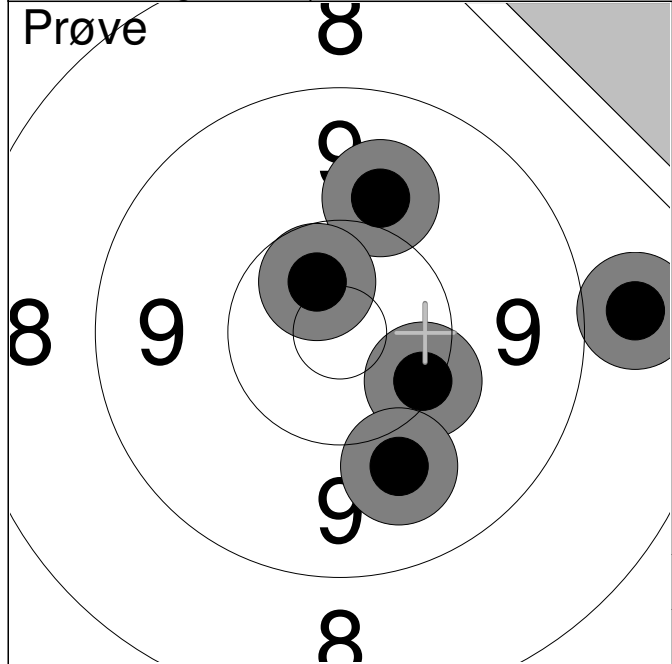
	1:	9.8	↗
	2:	8.2	↘
	3:	*10.6	↗
	4:	10.0	↘
	5:	10.0	↘
Serie			47.0
Total			0.0



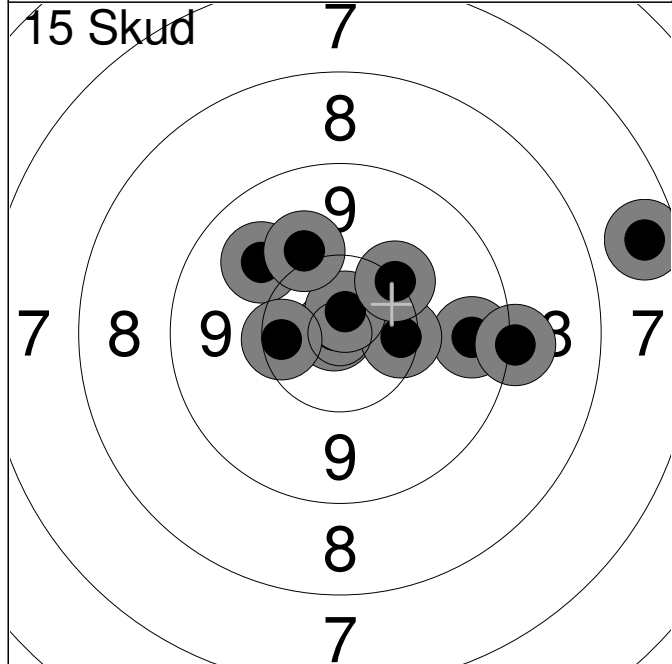
	1:	9.9	↘
	2:	9.6	↘
	3:	8.9	↘
	4:	9.7	↗
	5:	9.1	→
	6:	8.3	↘
	7:	7.5	↘
	8:	9.2	↘
	9:	7.0	↘
	10:	9.3	↗
Serie			84.0
Total			84.0



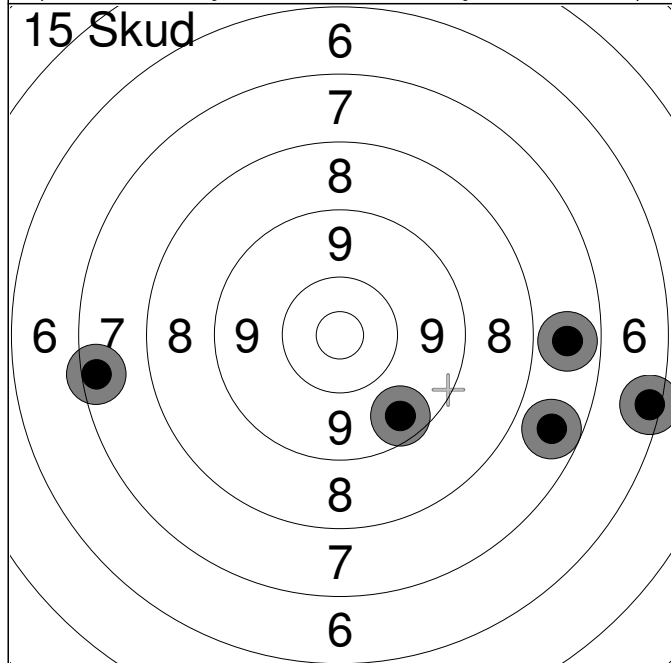
	11:	5.8	↘
	12:	7.4	→
	13:	6.7	↘
	14:	9.7	↘
	15:	7.8	↘
Serie			34.0
Total			118.0



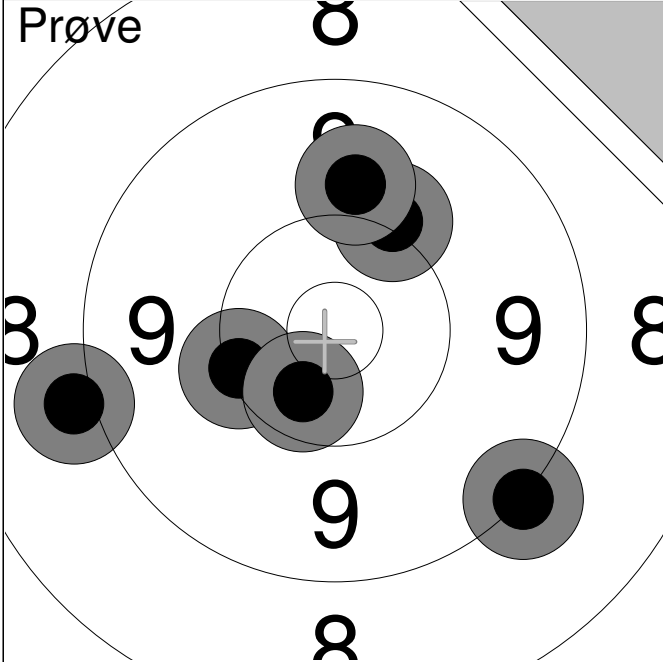
1:	10.3	↘
2:	8.8	→
3:	10.0	↑
4:	9.9	↘
5:	*10.6	↑
Serie		47.0
Total		0.0



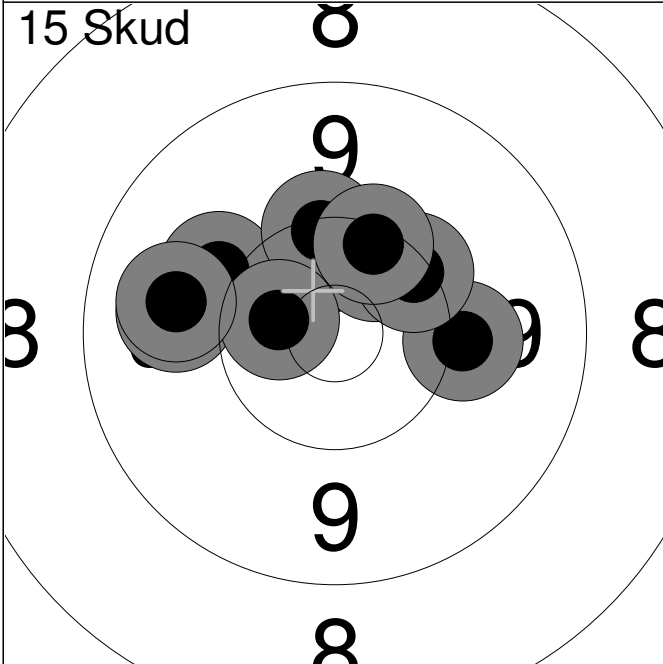
1:	9.6	→
2:	9.9	↗
3:	*10.9	↗
4:	10.3	→
5:	*10.7	↑
6:	10.2	↗
7:	9.1	→
8:	10.4	←
9:	10.0	↑
10:	7.5	→
Serie		94.0
Total		94.0



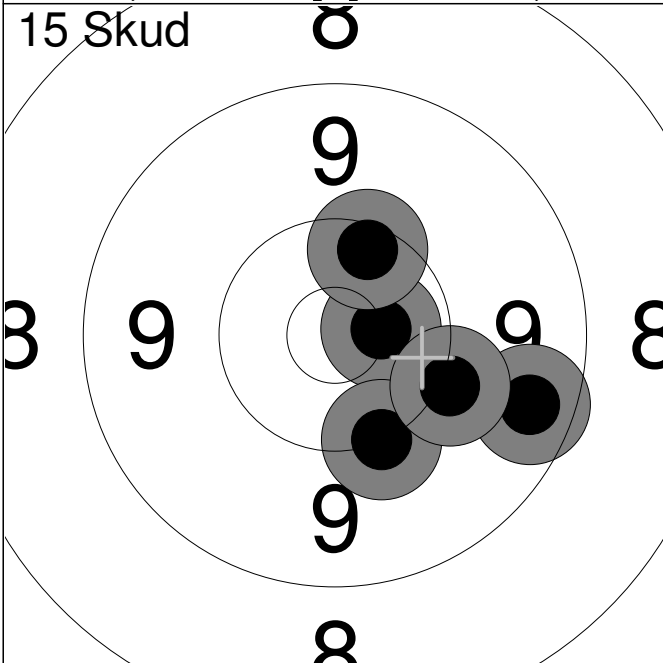
11:	9.5	↘
12:	7.7	→
13:	7.4	←
14:	6.3	→
15:	7.6	↘
Serie		36.0
Total		130.0



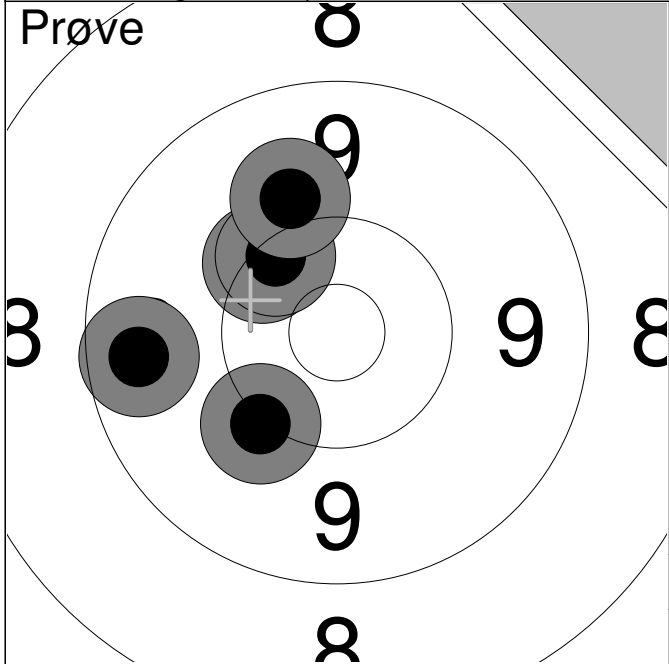
1:	9.0	←
2:	10.1	↗
3:	9.9	↗
4:	9.2	↘
5:	10.2	←
6:	*10.5	↘
Serie		57.0
Total		0.0



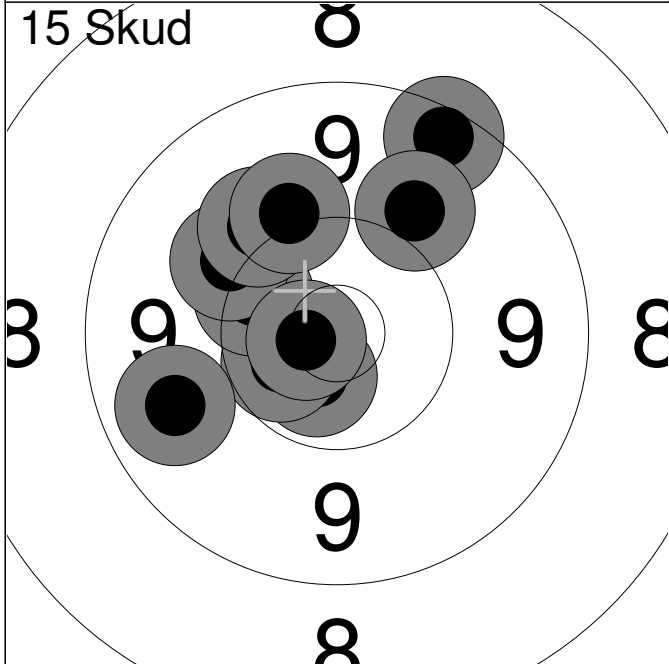
1:	10.4	↗
2:	10.1	↗
3:	9.8	←
4:	10.4	↗
5:	10.1	→
6:	10.2	↗
7:	10.3	↗
8:	10.3	↗
9:	*10.6	←
10:	9.8	←
Serie		98.0
Total		98.0



11:	*10.6	→
12:	10.2	↘
13:	10.3	↗
14:	9.5	→
15:	10.1	↘
Serie		49.0
Total		147.0



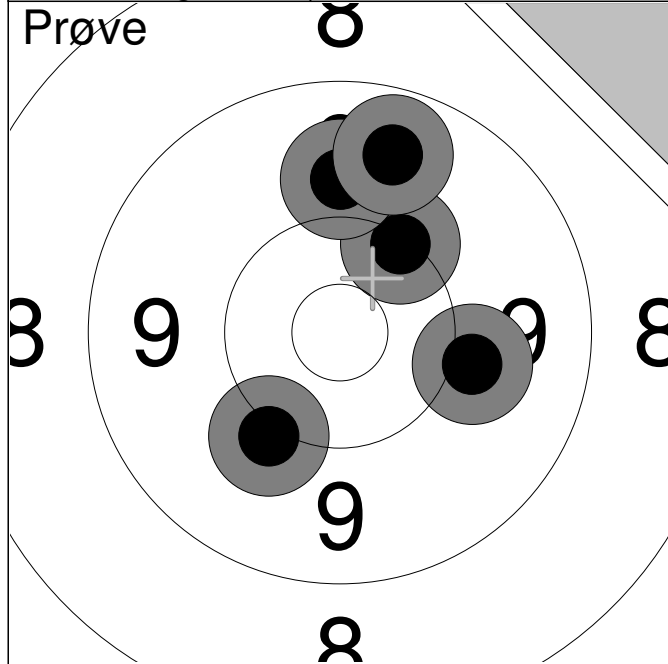
1:	10.3	↗
2:	10.1	↖
3:	9.6	←
4:	10.3	↗
5:	10.0	↗
Serie		49.0
Total		0.0



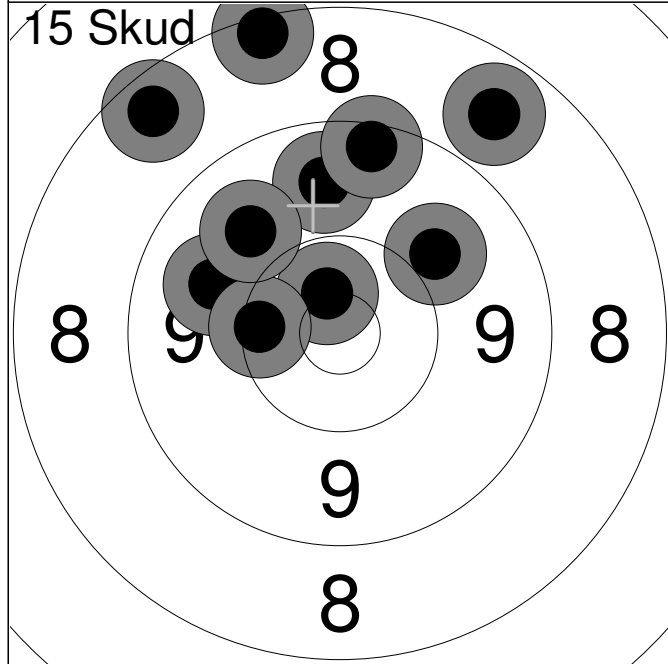
1:	*10.6	↘
2:	*10.5	↖
3:	10.3	↗
4:	10.1	↗
5:	9.4	↗
6:	*10.7	←
7:	10.0	↗
8:	10.1	↗
9:	9.7	↖
10:	10.0	↗
Serie		98.0
Total		98.0



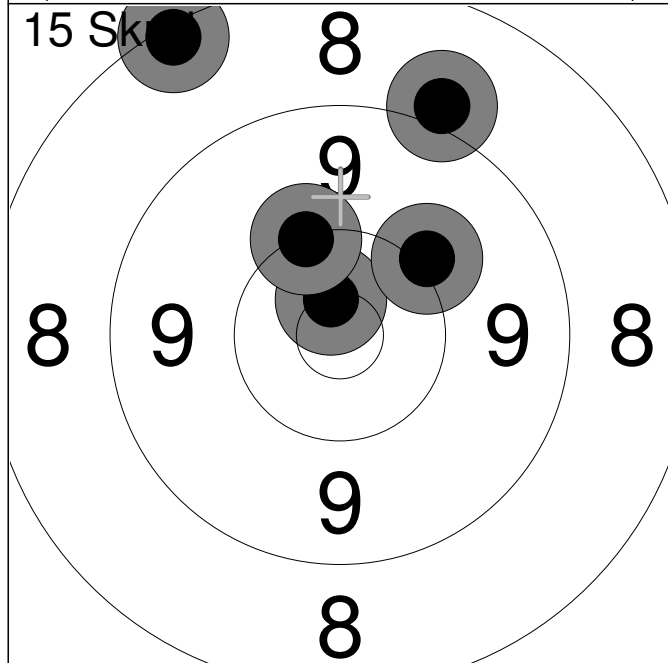
11:	*10.6	↑
12:	10.4	↑
13:	*10.6	↗
14:	*10.5	↗
15:	10.0	↑
Serie		50.0
Total		148.0



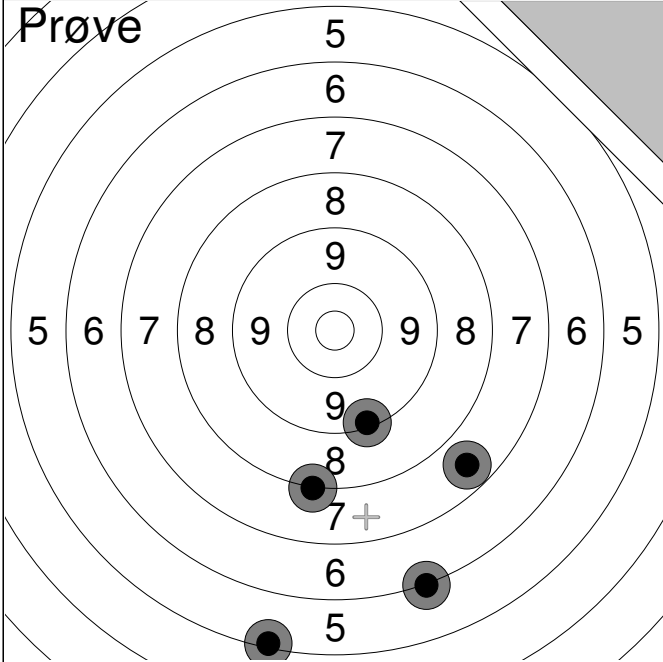
	1:	10.1	↙
	2:	10.0	→
	3:	10.2	↗
	4:	9.9	↑
	5:	9.7	↑
Serie			48.0
Total			0.0



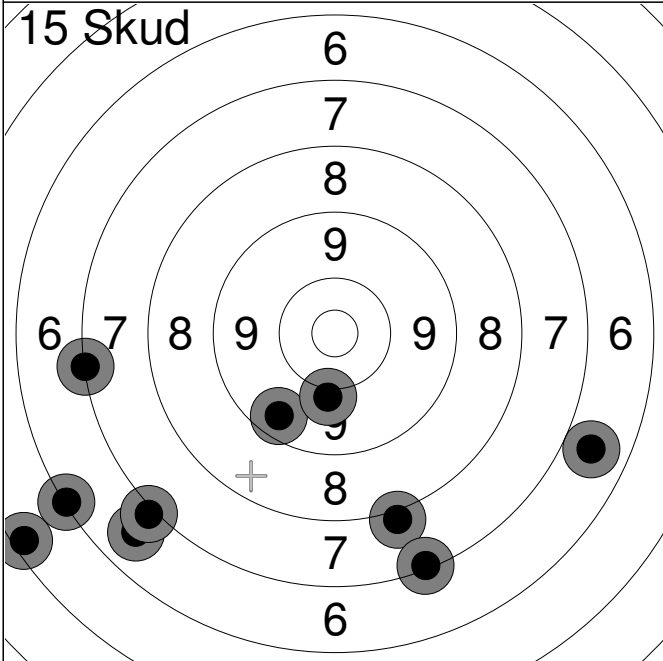
	1:	8.3	↑
	2:	8.7	↗
	3:	*10.6	↑
	4:	9.7	↑
	5:	9.9	↖
	6:	10.3	←
	7:	9.4	↑
	8:	8.5	↗
	9:	9.9	↗
	10:	9.8	↖
Serie			89.0
Total			89.0



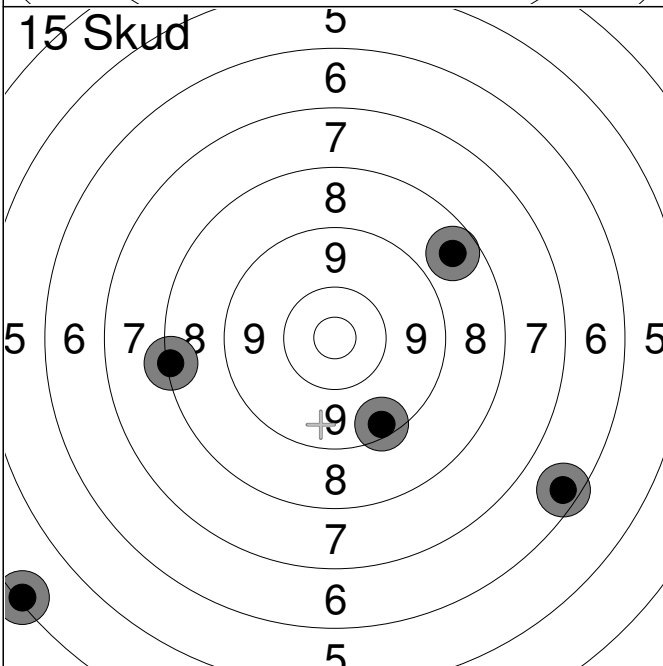
	11:	*10.7	↑
	12:	10.2	↑
	13:	10.1	↗
	14:	9.0	↑
	15:	8.3	↖
Serie			47.0
Total			136.0



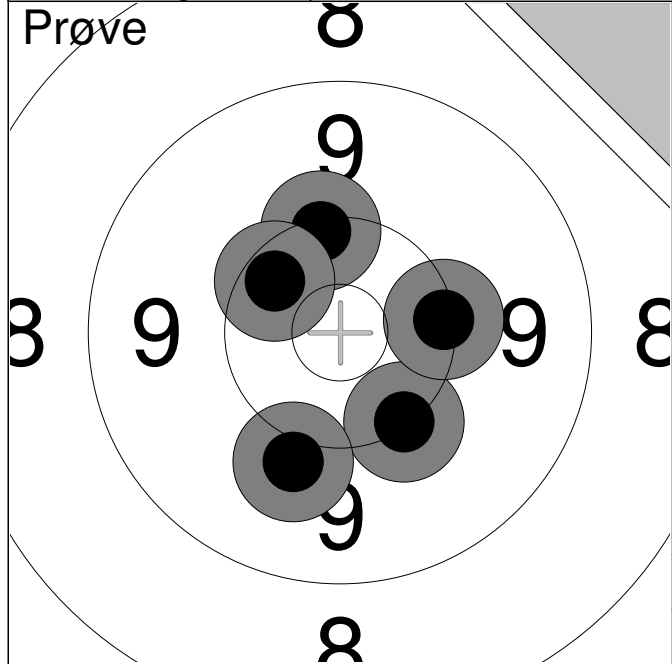
	1:	9.3	↓
	2:	8.2	↓
	3:	6.1	↓
	4:	7.6	↓
	5:	5.3	↓
Serie		35.0	
Total		0.0	



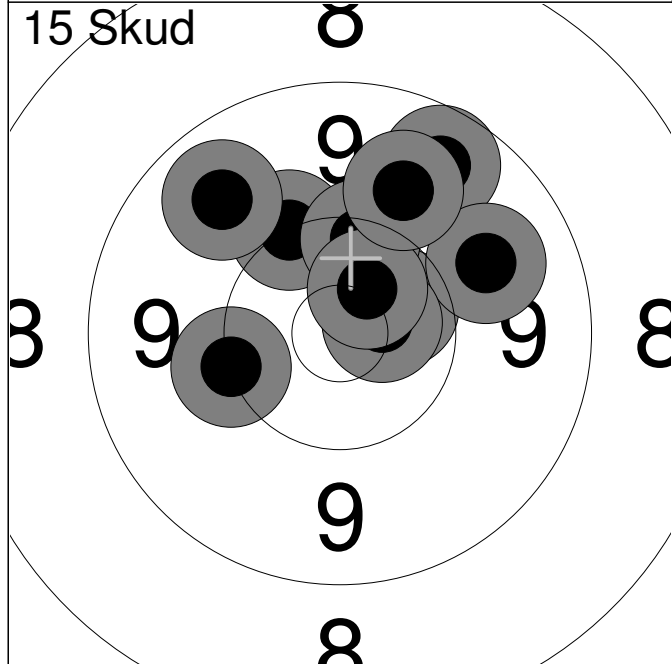
	1:	5.3	↙
	2:	9.5	↙
	3:	6.7	↙
	4:	6.2	↙
	5:	6.7	→
	6:	8.0	↓
	7:	7.2	↓
	8:	10.1	↓
	9:	7.1	↙
	10:	7.2	←
Serie		71.0	
Total		71.0	



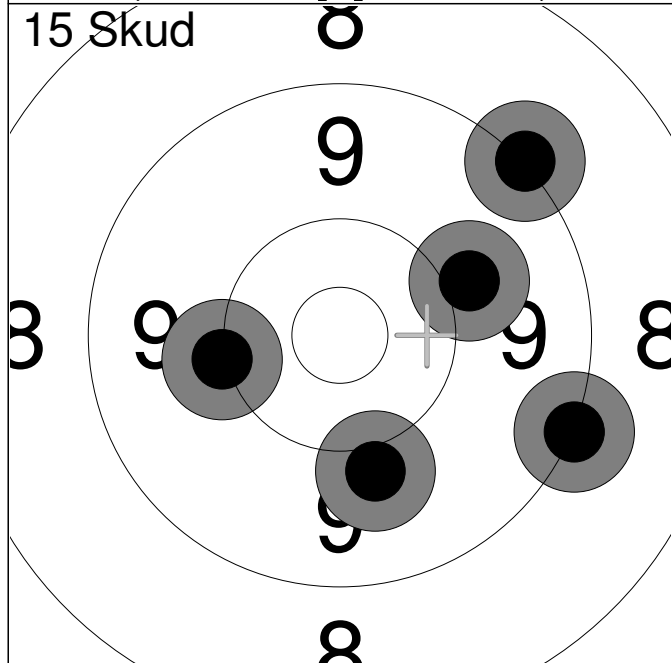
	11:	6.4	↘
	12:	8.6	↗
	13:	4.2	↙
	14:	9.4	↓
	15:	8.3	←
Serie		35.0	
Total		106.0	



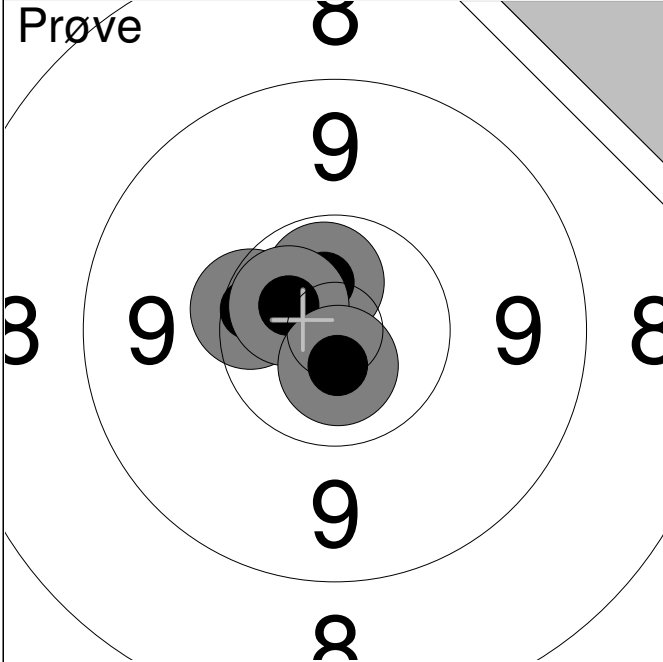
	1:	10.2	↑
	2:	10.2	↓
	3:	10.2	→
	4:	10.4	↗
	5:	10.0	↓
Serie			50.0
Total			0.0



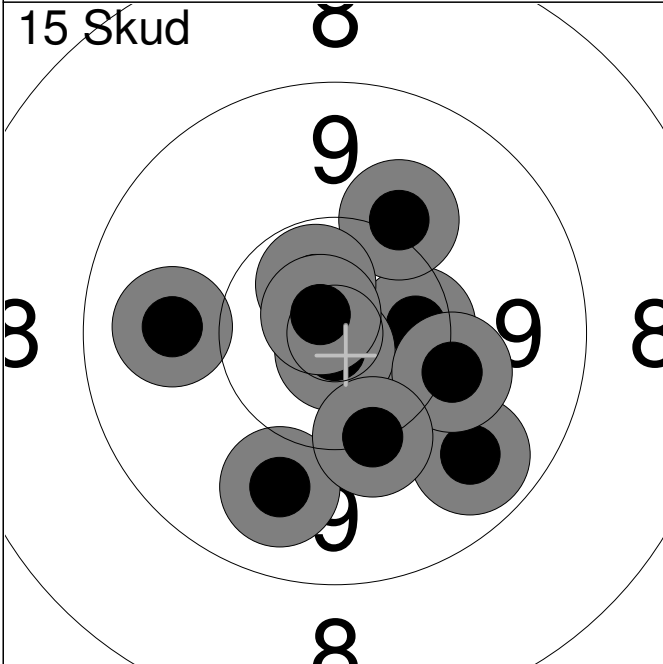
	1:	*10.5	→
	2:	9.6	↗
	3:	10.2	↗
	4:	9.7	↗
	5:	10.3	↑
	6:	9.8	↗
	7:	*10.7	→
	8:	10.2	←
	9:	*10.6	↗
	10:	9.9	↗
Serie			96.0
Total			96.0



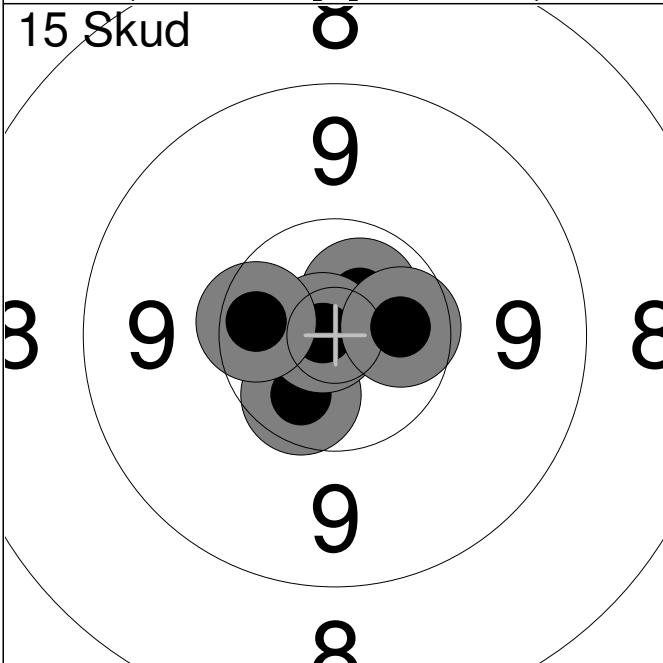
	11:	10.0	↓
	12:	9.2	→
	13:	9.2	↗
	14:	10.1	←
	15:	10.0	→
Serie			48.0
Total			144.0



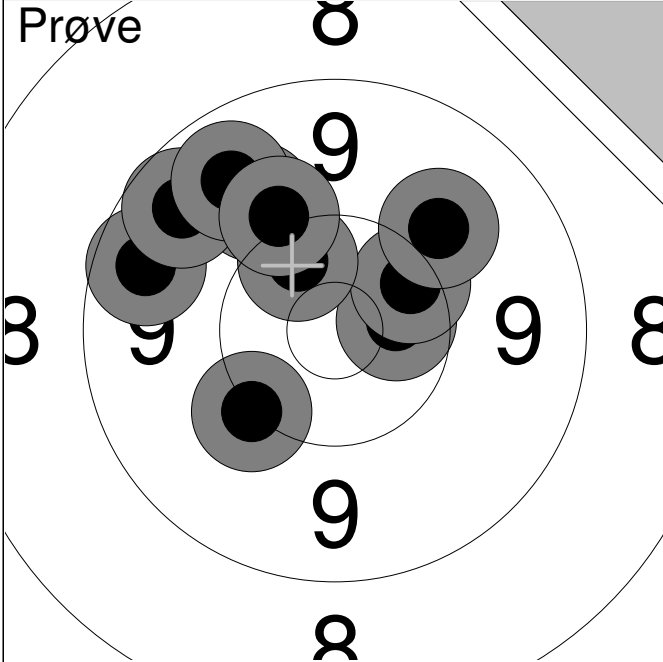
	1:	10.4	←
	2:	*10.6	↑
	3:	*10.6	↗
	4:	*10.7	↓
Serie			40.0
Total			0.0



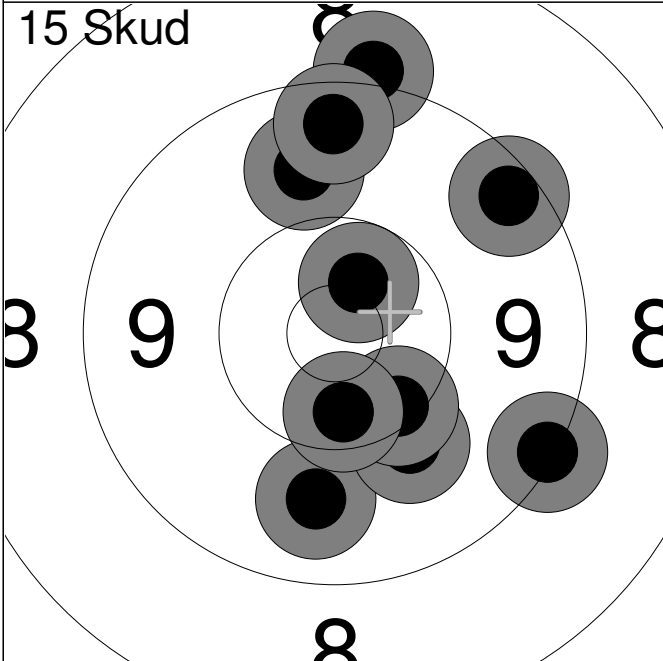
	1:	10.4	→
	2:	10.1	↗
	3:	9.8	←
	4:	9.8	↓
	5:	9.7	↘
	6:	*10.6	↗
	7:	*10.8	↓
	8:	10.1	↘
	9:	*10.8	↗
	10:	10.2	↓
Serie			97.0
Total			97.0



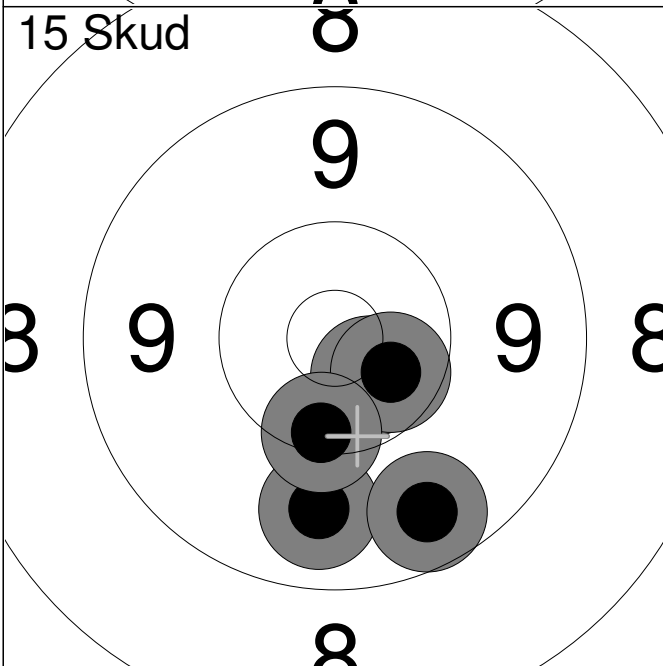
	11:	*10.5	↘
	12:	*10.6	↗
	13:	*10.9	←
	14:	10.4	←
	15:	*10.5	→
Serie			50.0
Total			147.0



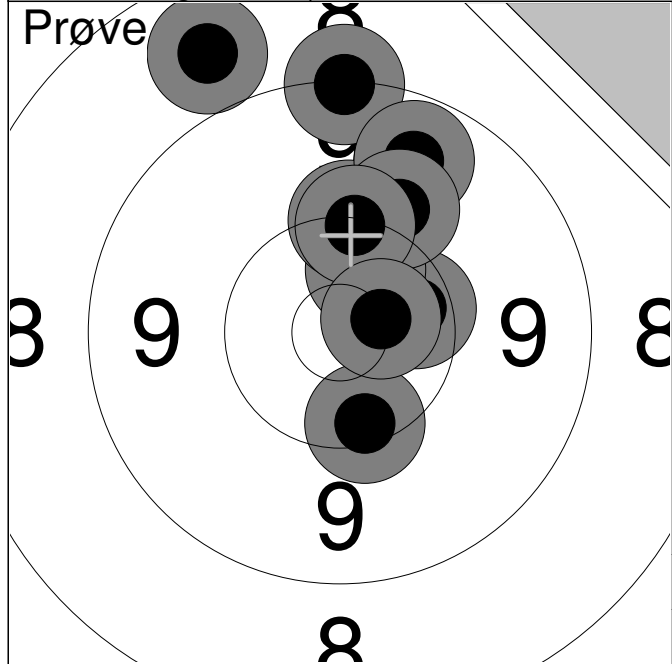
1:	9.6	↖
2:	10.2	↙
3:	9.9	↗
4:	9.6	↘
5:	*10.5	→
6:	10.3	↗
7:	10.0	↘
8:	9.7	↗
9:	10.4	↘
10:	10.1	↗
Serie		96.0
Total		0.0



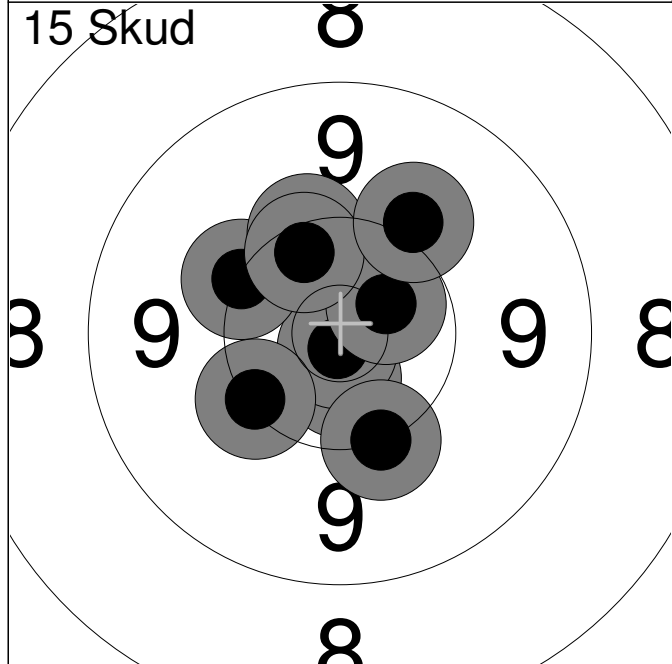
1:	9.4	↗
2:	9.2	↘
3:	9.1	↗
4:	9.8	↘
5:	9.8	↙
6:	10.0	↘
7:	9.5	↗
8:	10.3	↘
9:	10.4	↙
10:	*10.6	↗
Serie		94.0
Total		94.0



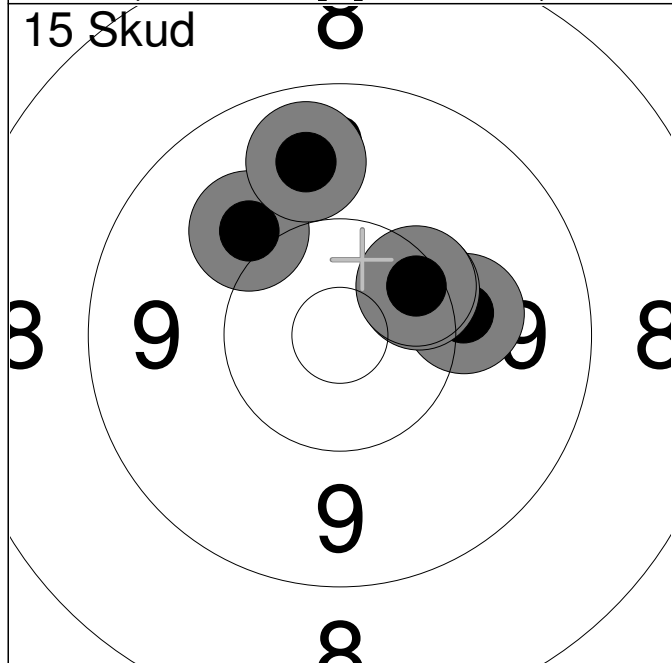
11:	*10.6	↘
12:	*10.5	↘
13:	9.8	↘
14:	10.3	↘
15:	9.6	↘
Serie		48.0
Total		142.0



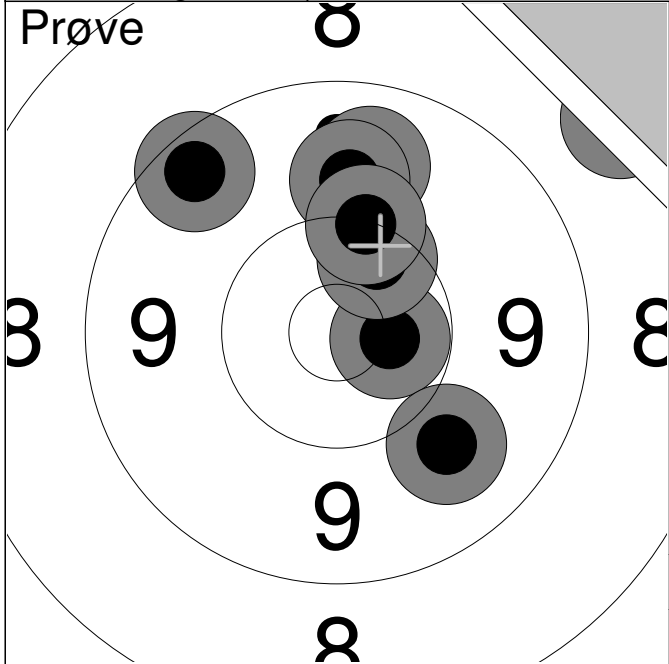
1:	8.7	↖
2:	10.4	→
3:	*10.5	↗
4:	9.2	↑
5:	10.2	↑
6:	9.7	↗
7:	10.0	↗
8:	10.3	↓
9:	10.2	↑
10:	*10.7	→
Serie		96.0
Total		0.0



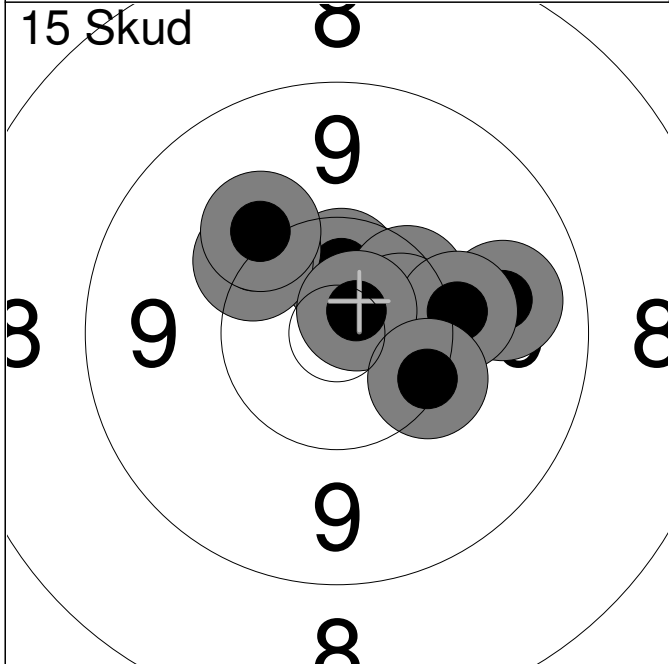
1:	*10.5	↗
2:	*10.6	↓
3:	*10.8	↓
4:	10.2	↖
5:	10.2	↓
6:	10.2	↑
7:	*10.6	↗
8:	10.2	↖
9:	10.3	↑
10:	10.0	↗
Serie		100.0
Total		100.0



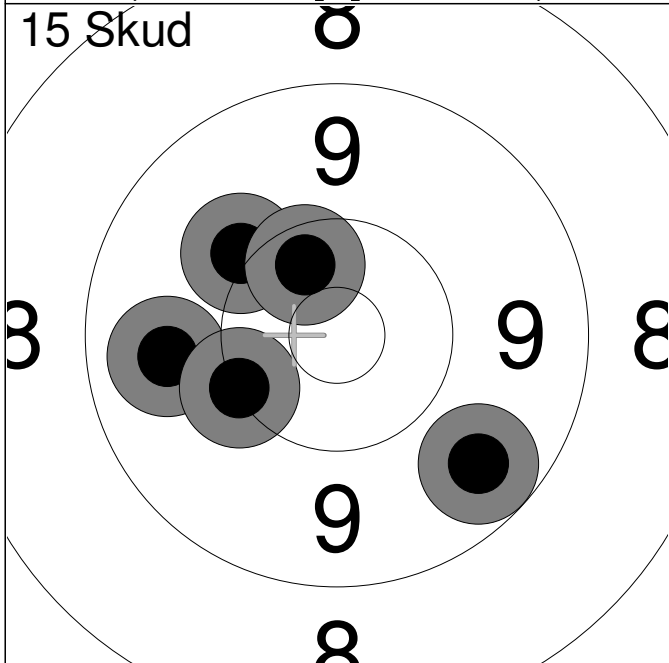
11:	10.1	→
12:	10.3	↗
13:	10.0	↖
14:	10.3	↗
15:	9.7	↑
Serie		49.0
Total		149.0



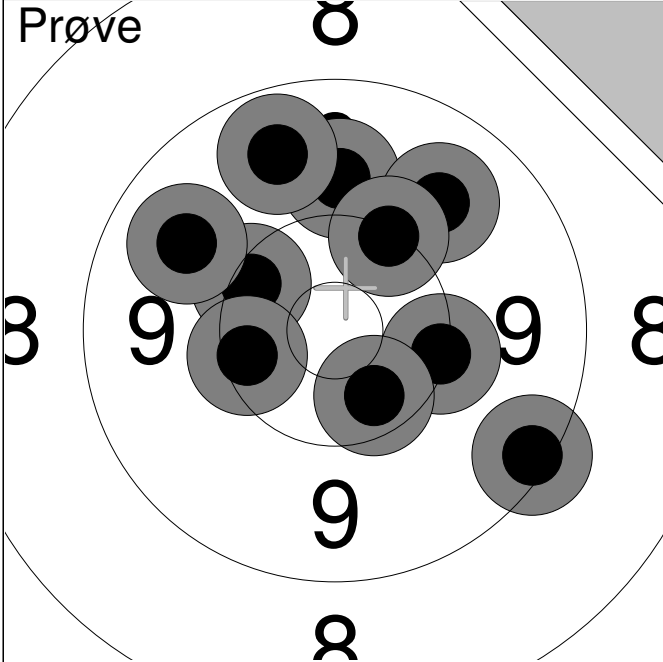
1:	8.4	↗
2:	9.8	↑
3:	9.9	↑
4:	*10.6	→
5:	9.9	↘
6:	10.4	↑
7:	9.4	↖
8:	10.2	↑
Serie		74.0
Total		0.0



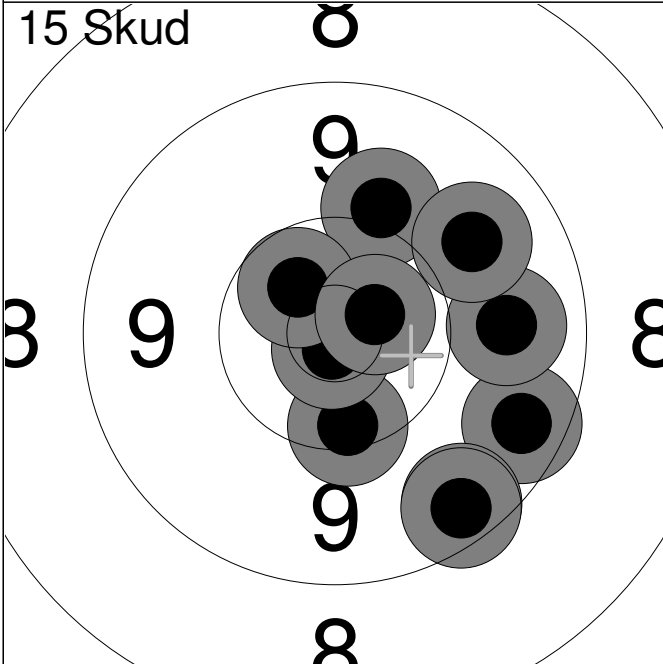
1:	*10.5	↑
2:	10.4	↗
3:	10.2	↖
4:	*10.5	→
5:	10.2	↖
6:	9.8	→
7:	10.1	→
8:	*10.7	↖
9:	10.1	↖
10:	10.3	↘
Serie		99.0
Total		99.0



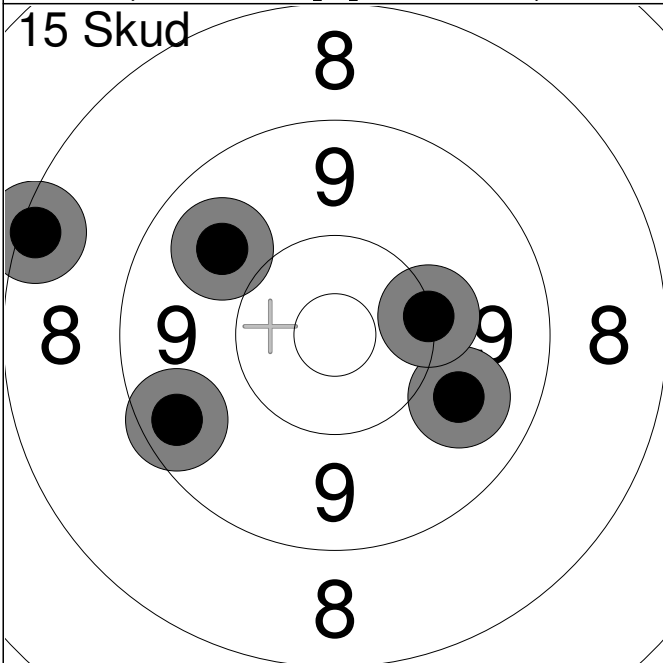
11:	10.1	↖
12:	9.8	←
13:	*10.4	↖
14:	9.6	↘
15:	10.2	↖
Serie		48.0
Total		147.0



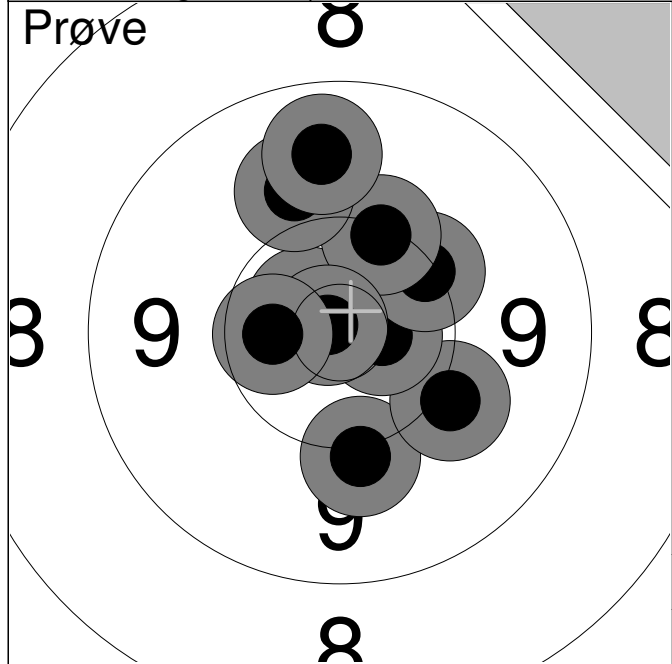
1:	10.3	↗
2:	9.3	↘
3:	9.9	↗
4:	9.7	↗
5:	9.8	↗
6:	9.8	↗
7:	10.2	↗
8:	10.2	→
9:	10.3	↖
10:	*10.4	↘
Serie		95.0
Total		0.0



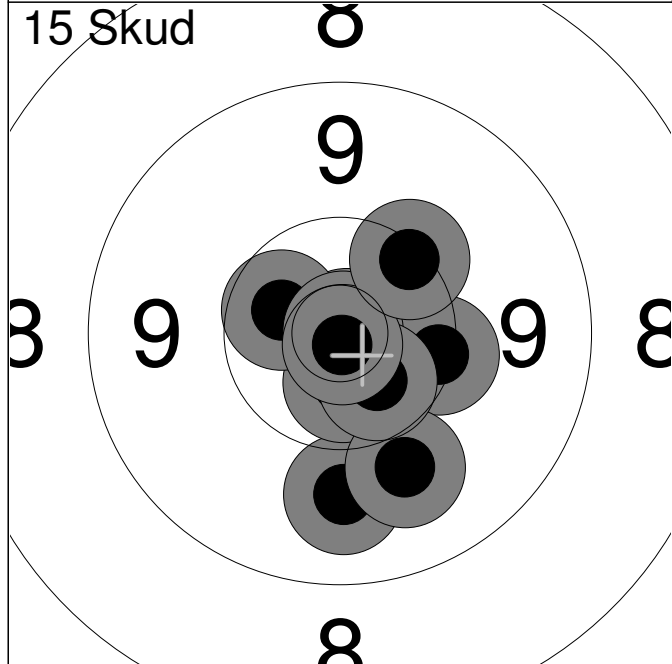
1:	10.3	↘
2:	9.5	↘
3:	*10.8	↘
4:	9.5	↘
5:	10.0	↗
6:	9.8	→
7:	9.8	↗
8:	*10.5	↗
9:	9.4	↘
10:	*10.6	↗
Serie		95.0
Total		95.0



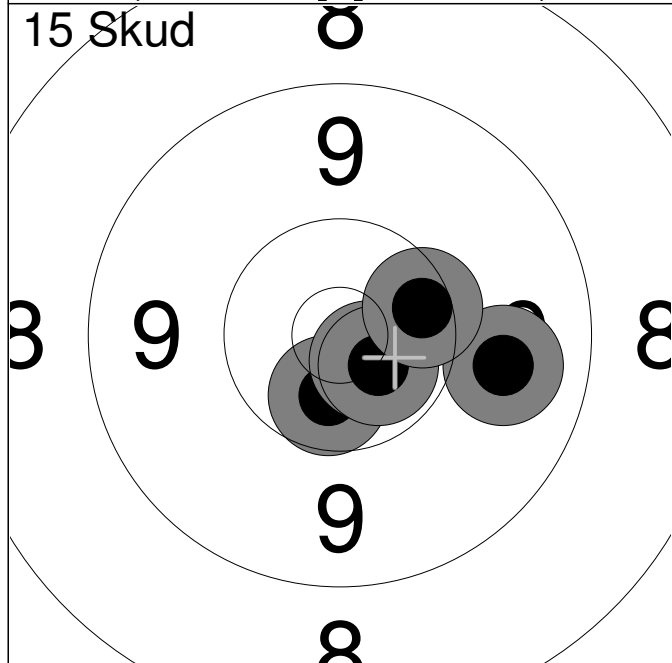
11:	9.8	↘
12:	9.8	↗
13:	8.3	↖
14:	9.5	↖
15:	10.2	→
Serie		45.0
Total		140.0



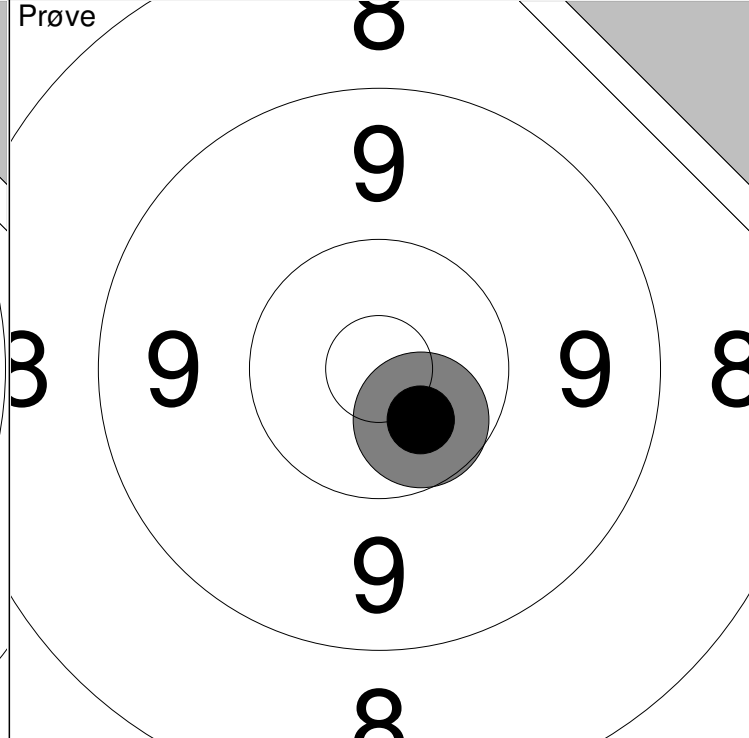
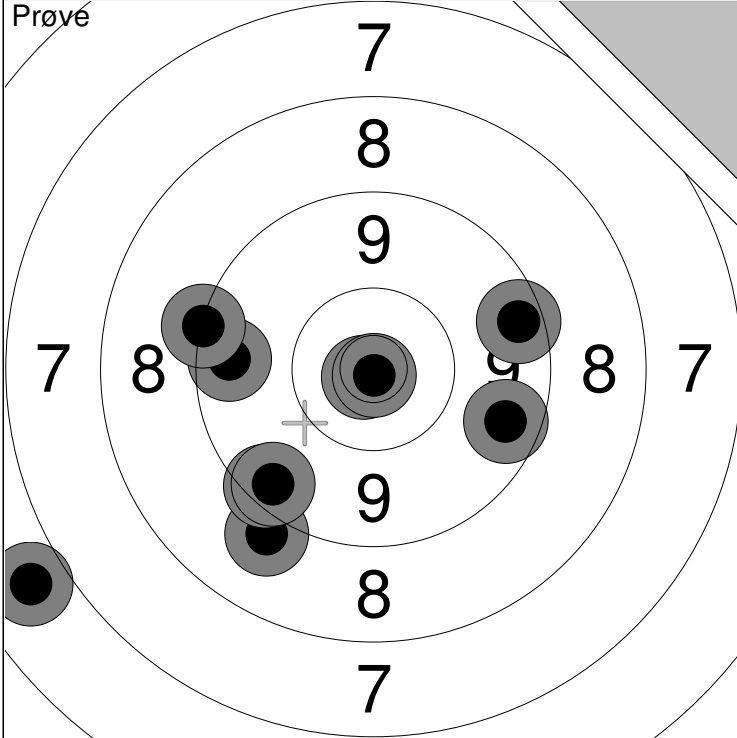
1:	10.1	↓
2:	10.1	↘
3:	*10.7	↗
4:	*10.7	→
5:	10.2	↗
6:	10.2	↗
7:	*10.9	↗
8:	9.9	↗
9:	*10.5	←
10:	9.7	↑
Serie		98.0
Total		0.0



1:	9.8	↓
2:	*10.9	↗
3:	*10.6	↓
4:	10.3	→
5:	9.9	↘
6:	*10.5	↗
7:	*10.9	↗
8:	*10.5	↘
9:	*10.9	↘
10:	10.3	↗
Serie		98.0
Total		98.0

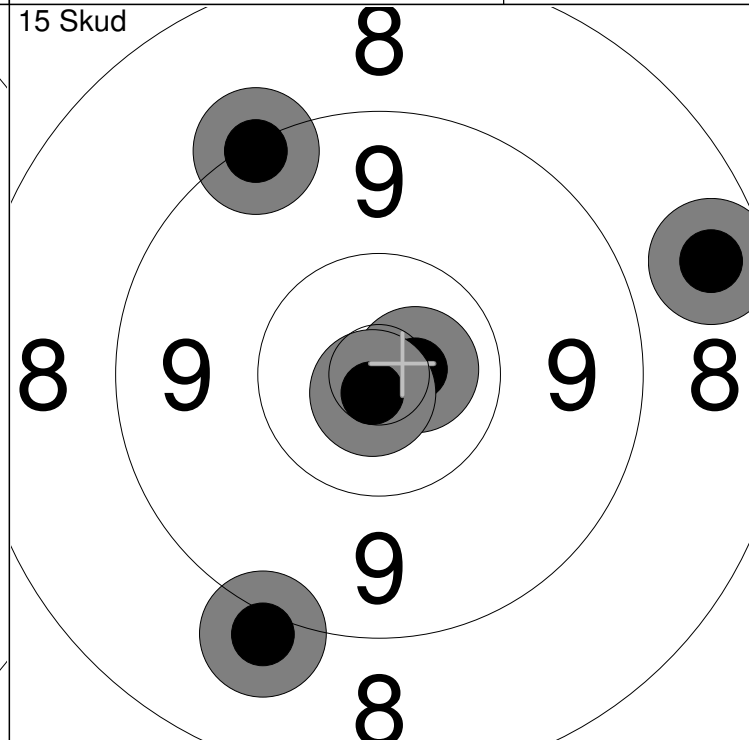
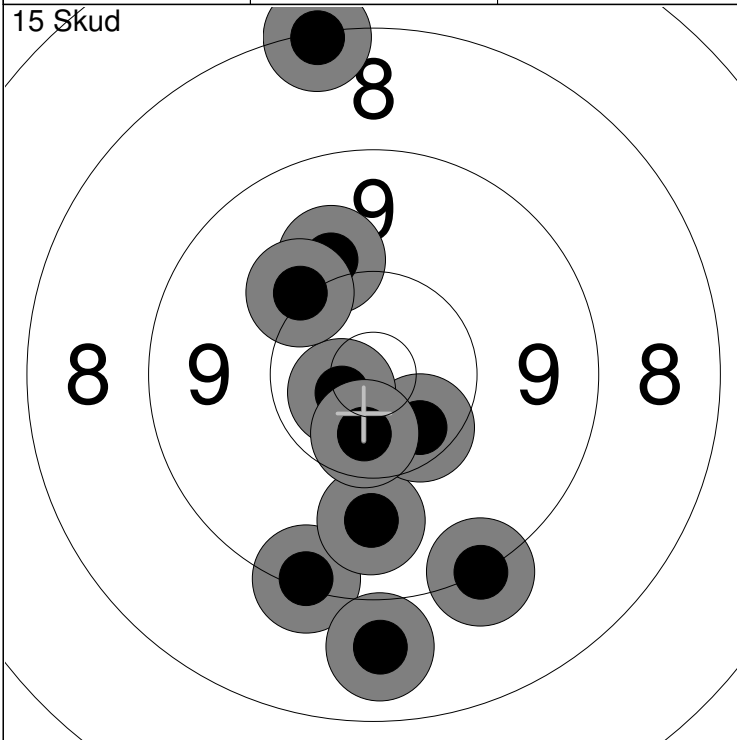


11:	*10.5	↓
12:	9.8	→
13:	*10.7	↘
14:	*10.6	↘
15:	10.4	↗
Serie		49.0
Total		147.0



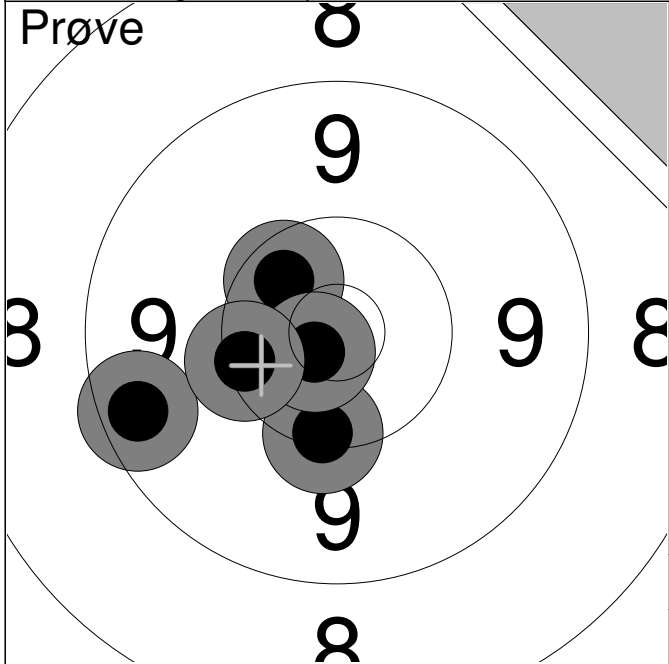
1: 9.5 ←	6: 9.4 ↘	Serie	89.0
2: 9.0 ↘	7: *10.9 ↓		
3: 9.5 →	8: 9.4 ↘	Total	0.0
4: *10.8 ↙	9: 6.8 ↙		
5: 9.2 ←	10: 9.4 →		

11: *10.5 ↘	Serie	10.0
	Total	0.0

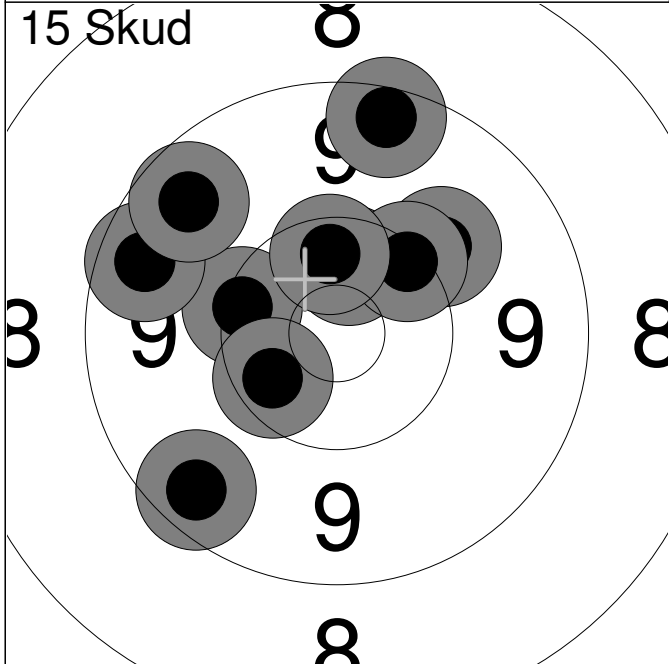


1: 9.3 ↘	6: 9.2 ↘	Serie	93.0
2: 8.2 ↑	7: *10.7 ↙		
3: 8.8 ↘	8: *10.5 ↘	Total	93.0
4: 9.8 ↘	9: 10.0 ↑		
5: 10.4 ↘	10: 10.1 ↗		

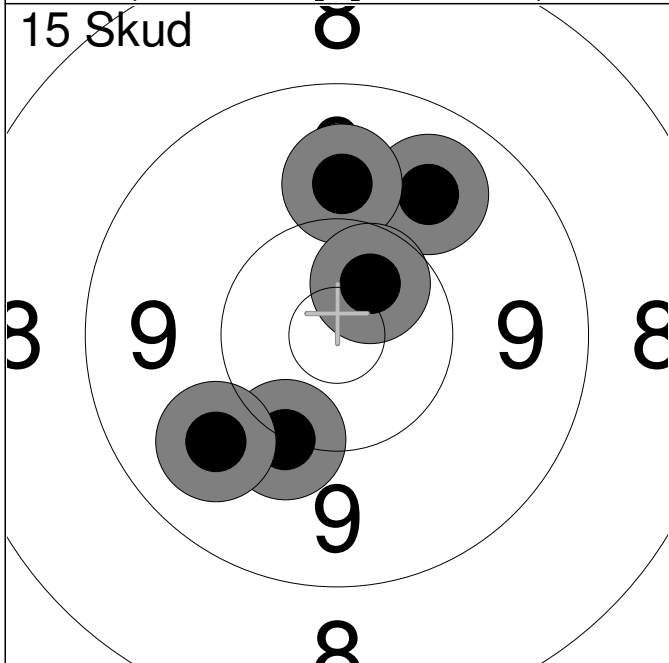
11: 9.0 ↘	Serie	46.0
12: 9.2 ↗		
13: *10.7 →	Total	139.0
14: 8.6 →		
15: *10.8 ↘		



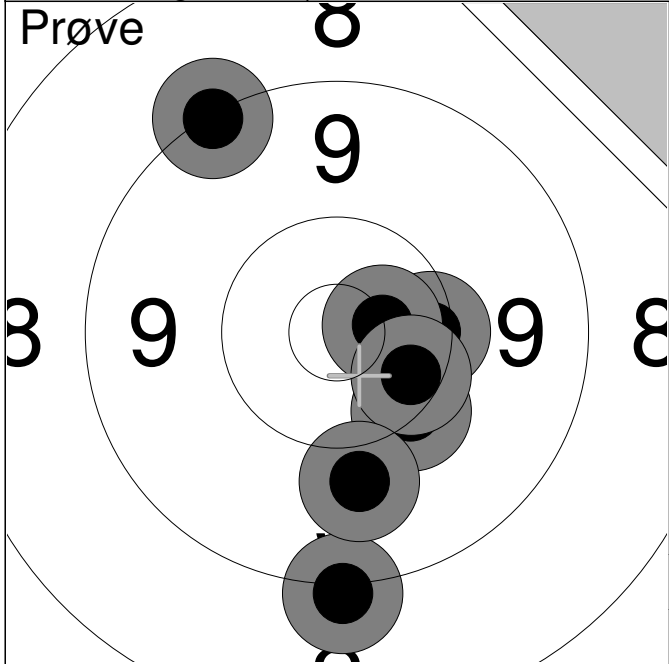
1:	9.5	←
2:	10.3	↓
3:	*10.4	↗
4:	*10.7	↙
5:	10.3	←
Serie		49.0
Total		0.0



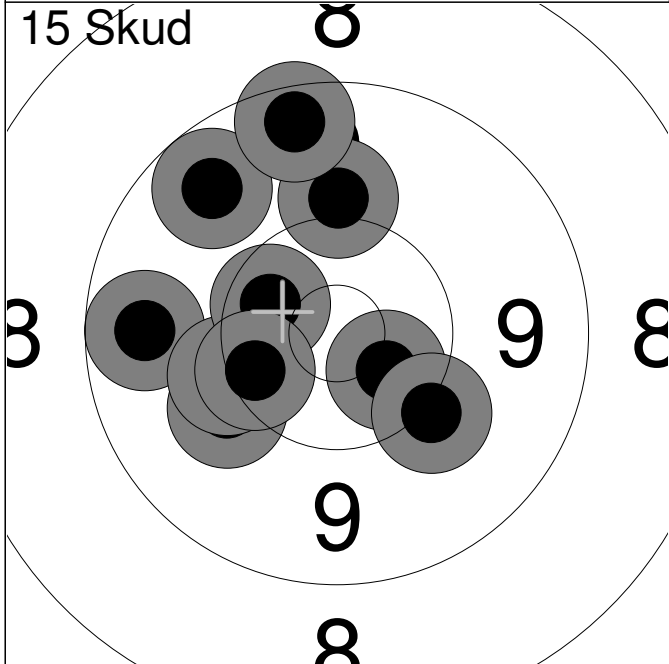
1:	9.5	↙
2:	*10.5	↑
3:	10.0	↗
4:	10.3	←
5:	10.3	↗
6:	9.5	←
7:	*10.4	↙
8:	9.6	↖
9:	9.4	↑
10:	10.4	↑
Serie		96.0
Total		96.0



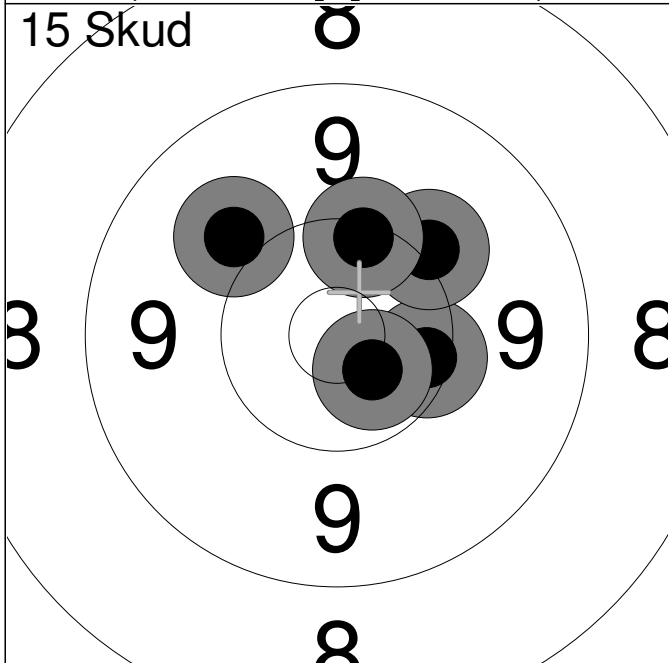
11:	9.8	↗
12:	10.2	↙
13:	9.9	↑
14:	*10.5	↗
15:	9.8	↙
Serie		47.0
Total		143.0



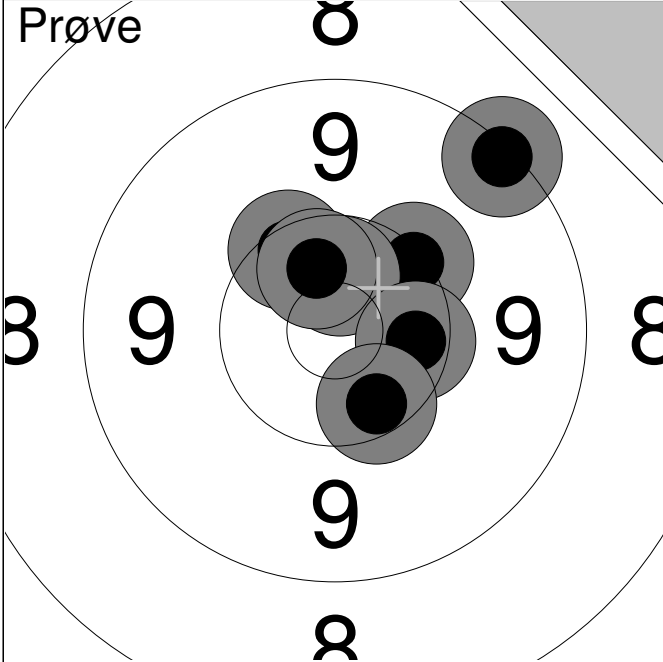
	1:	10.2	↘
	2:	9.1	↓
	3:	10.3	→
	4:	9.2	↗
	5:	*10.6	→
	6:	10.4	↘
	7:	9.9	↓
Serie			67.0
Total			0.0



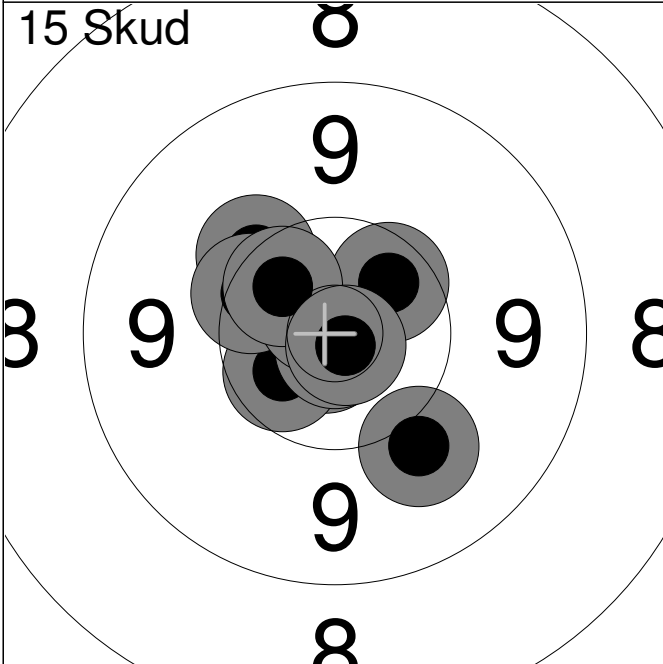
	1:	9.6	↗
	2:	9.6	←
	3:	10.0	↙
	4:	10.1	←
	5:	*10.5	↘
	6:	10.0	↑
	7:	*10.5	↗
	8:	10.1	↘
	9:	9.4	↑
	10:	10.3	↙
Serie			97.0
Total			97.0



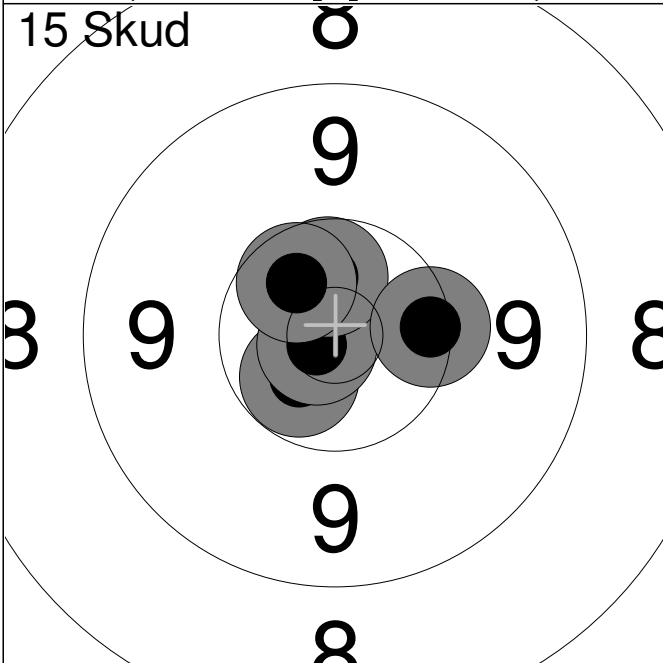
	11:	10.3	→
	12:	10.0	↗
	13:	*10.6	↘
	14:	10.1	↗
	15:	10.3	↑
Serie			50.0
Total			147.0



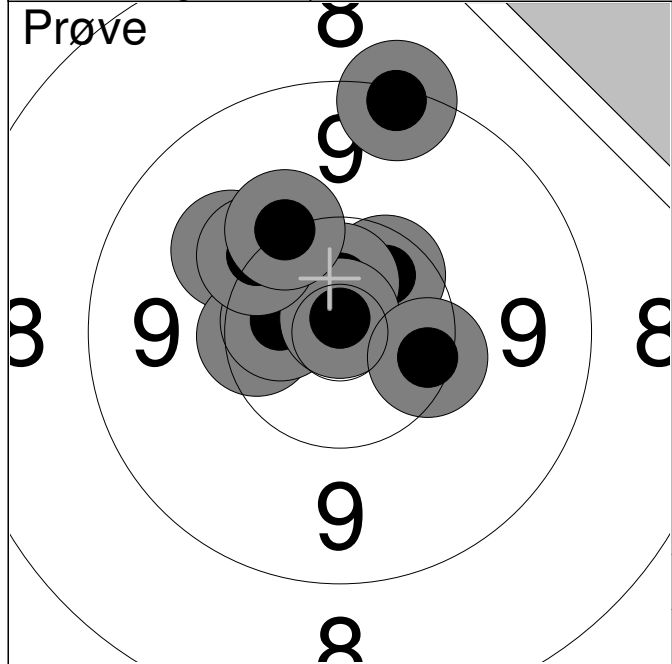
1:	10.2	↗
2:	10.3	↖
3:	*10.6	↑
4:	9.2	↗
5:	10.4	→
6:	10.4	↘
7:	*10.5	↑
Serie		69.0
Total		0.0



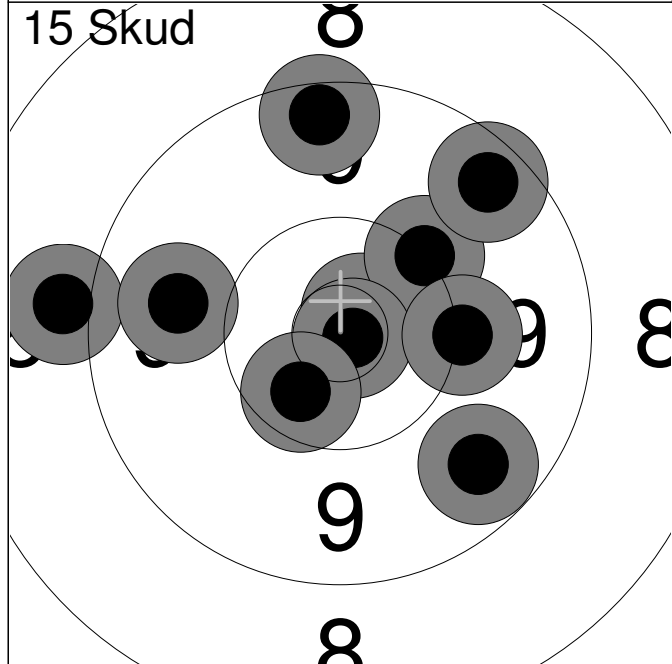
1:	*10.8	↘
2:	*10.5	↖
3:	10.2	↗
4:	10.3	↗
5:	*10.8	↘
6:	10.0	↘
7:	*10.8	↗
8:	*10.4	↗
9:	*10.5	↗
10:	*10.8	↘
Serie		100.0
Total		100.0



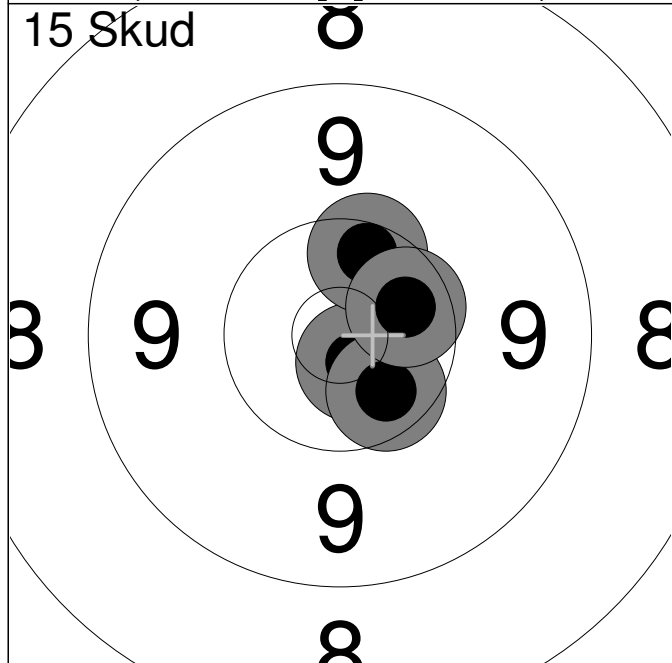
11:	*10.6	↘
12:	*10.8	↖
13:	*10.6	↑
14:	*10.5	↗
15:	10.3	→
Serie		50.0
Total		150.0



1:	9.3	↑
2:	*10.4	↗
3:	10.0	↗
4:	10.4	←
5:	*10.5	←
6:	*10.6	↑
7:	*10.9	↑
8:	10.2	↗
9:	10.2	↗
10:	10.3	→
Serie		99.0
Total		0.0



1:	*10.8	↗
2:	10.2	↗
3:	9.6	↘
4:	*10.9	→
5:	*10.5	↘
6:	9.0	←
7:	10.1	→
8:	9.5	↗
9:	9.4	↑
10:	9.8	←
Serie		95.0
Total		95.0



11:	*10.7	↘
12:	*10.5	↘
13:	10.4	↑
14:	*10.5	↗
Serie		40.0
Total		135.0

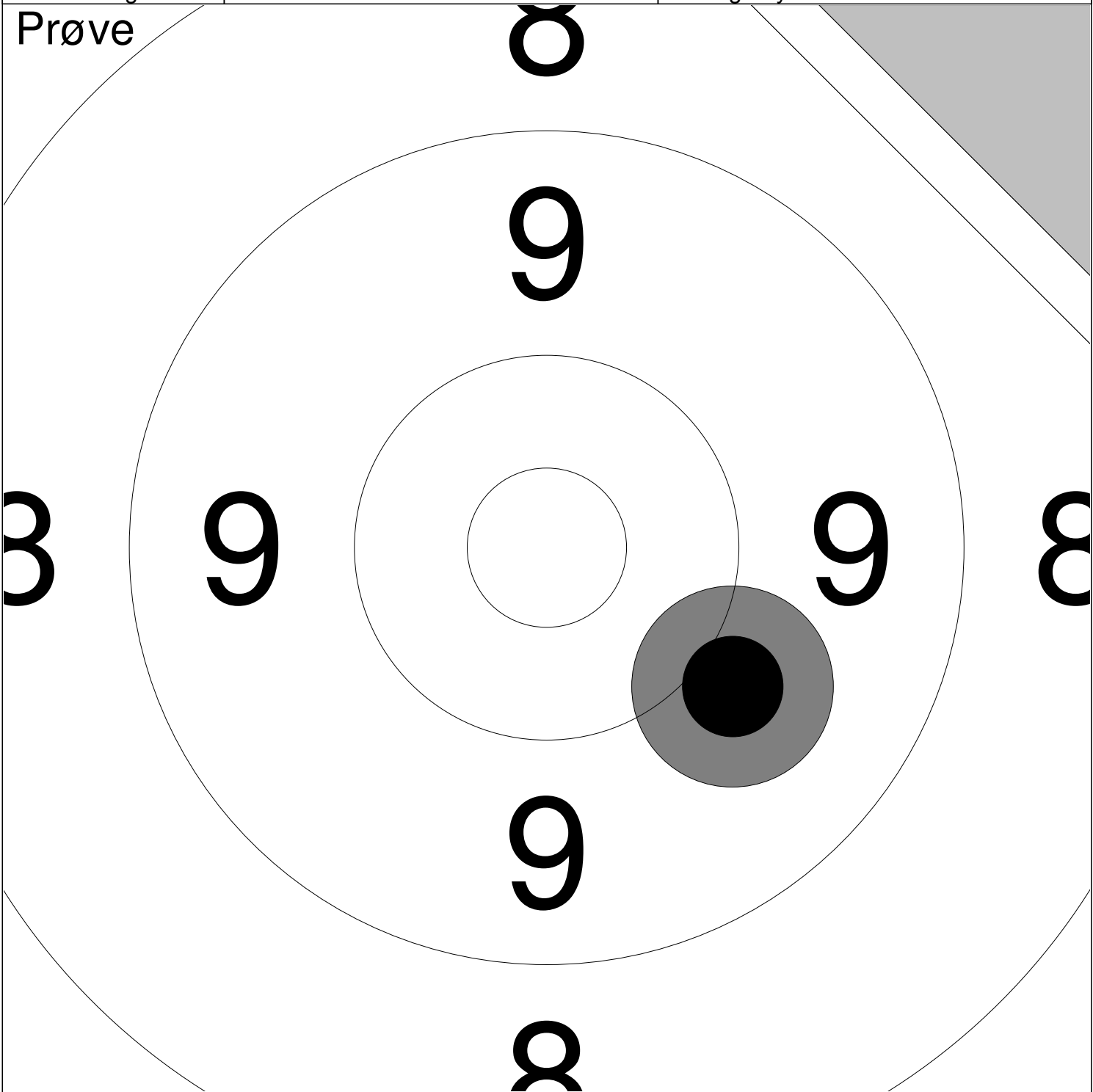
Hold
12

Skive
10

27. - 28. august 2011 NM 2011

Aalborg Skyttekreds

Prøve

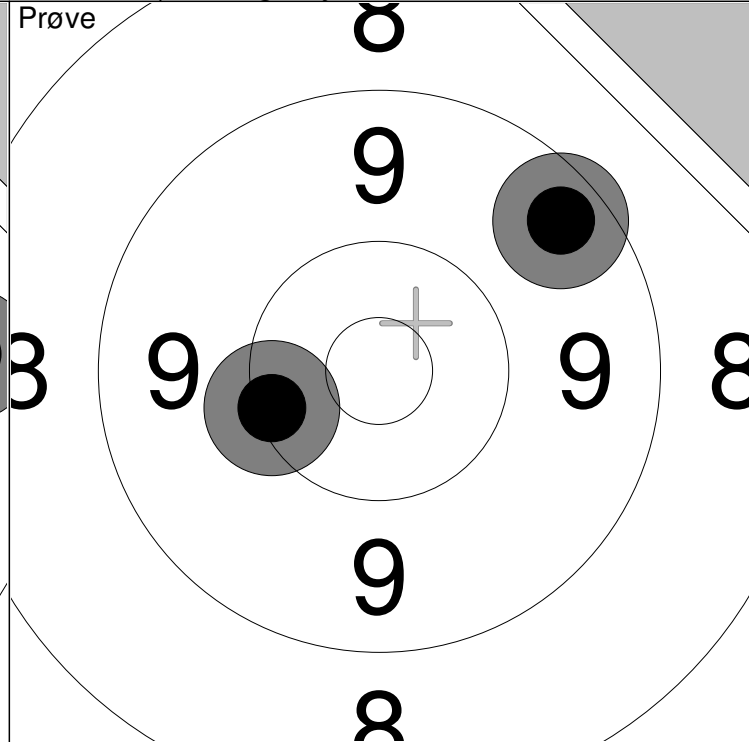
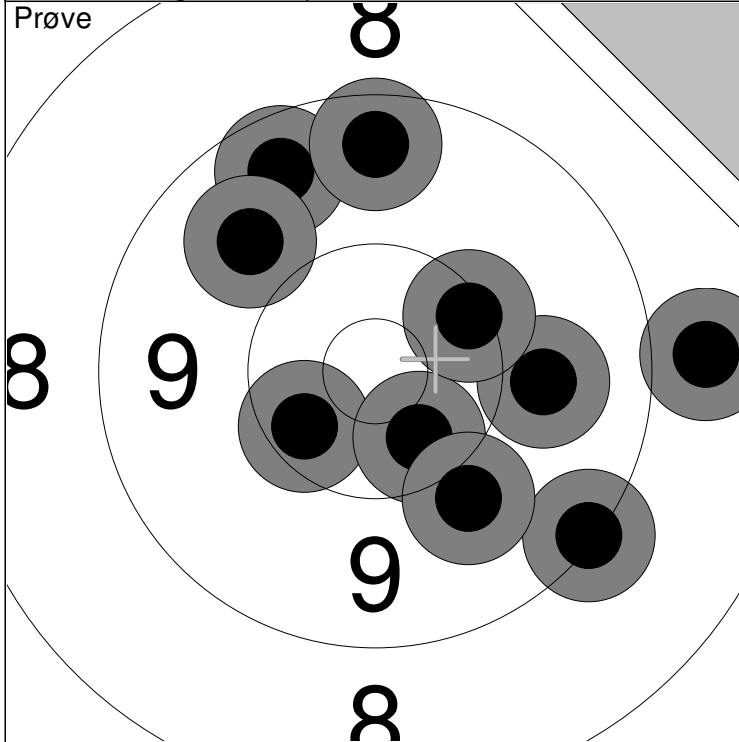


1: 10.0



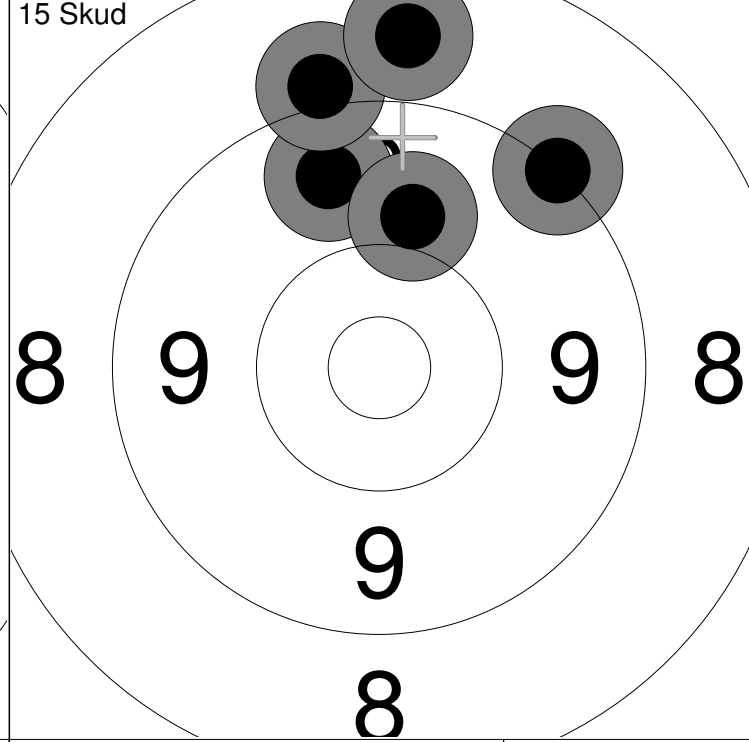
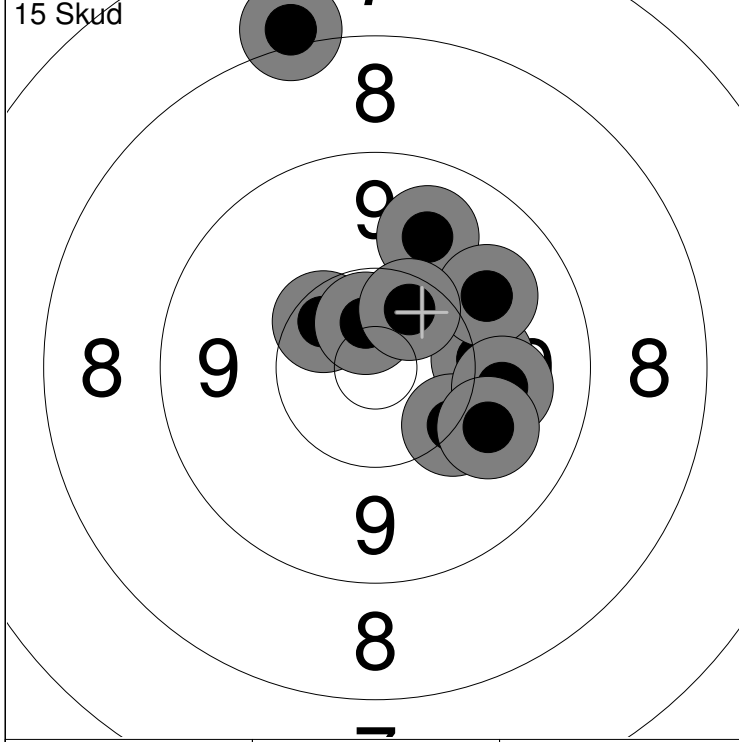
Serie 10.0

Total 0.0



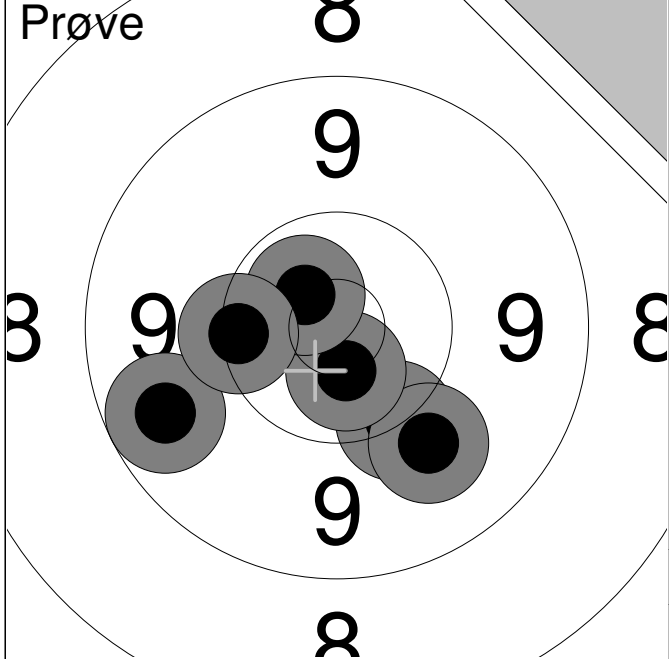
1: 9.5 ↗	6: 9.9 →	Serie	93.0
2: 9.5 ↑	7: 9.2 ↘		
3: 10.4 ↙	8: 8.8 →	Total	0.0
4: 9.8 ↗	9: 10.0 ↘		
5: *10.5 ↘	10: 10.3 ↗		

11: 9.5 ↗	Serie	19.0
12: 10.3 ↙		
	Total	0.0

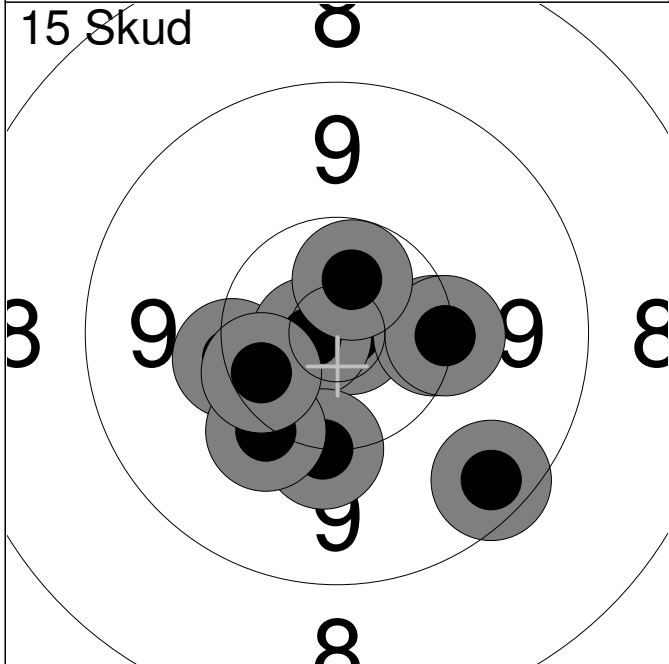


1: 10.1 →	6: 9.9 ↗	Serie	94.0
2: 10.2 ↘	7: 8.0 ↑		
3: 10.4 ↗	8: 9.9 →	Total	94.0
4: *10.6 ↑	9: *10.4 ↑		
5: 9.8 ↑	10: 9.9 ↘		

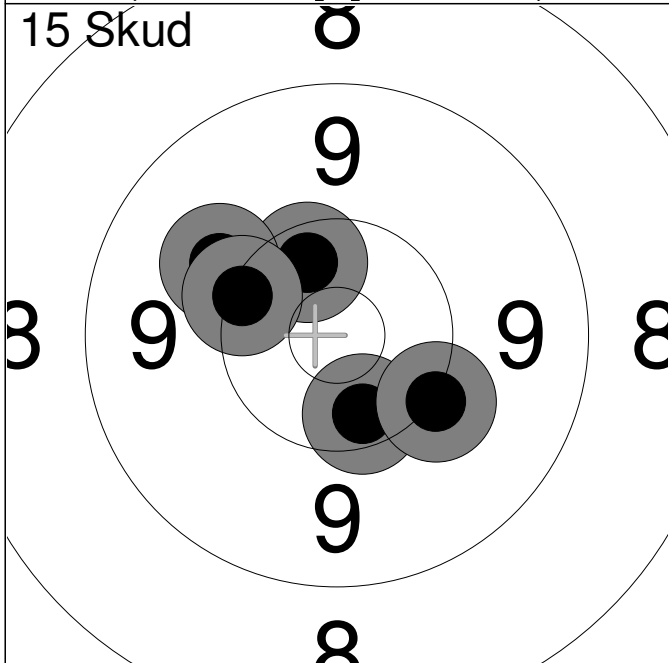
11: 9.7 ↑	Serie	45.0
12: 9.2 ↗		
13: 10.0 ↑	Total	139.0
14: 9.0 ↑		
15: 8.7 ↑		



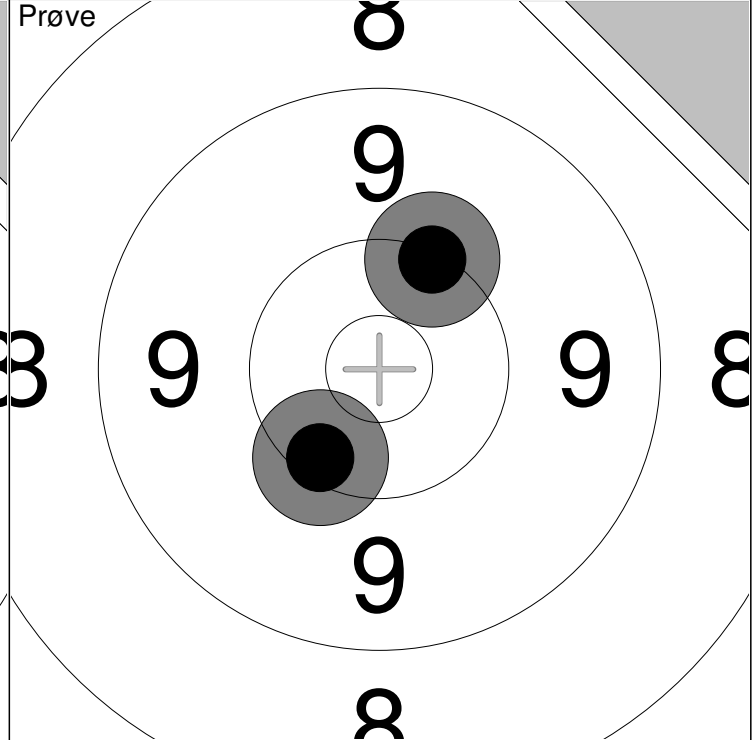
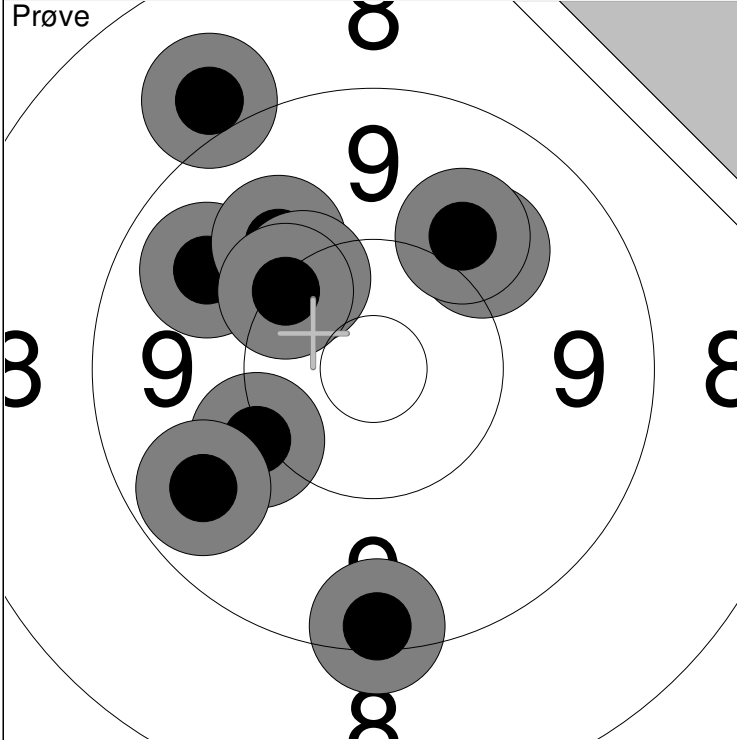
1:	10.2	↘
2:	9.9	↘
3:	*10.6	↘
4:	*10.6	↗
5:	9.6	↙
6:	10.3	↙
Serie		58.0
Total		0.0



1:	10.2	↙
2:	*10.9	→
3:	*10.8	↙
4:	10.2	↘
5:	10.1	↙
6:	10.3	→
7:	9.5	↘
8:	10.2	→
9:	10.4	↙
10:	*10.6	↗
Serie		99.0
Total		99.0

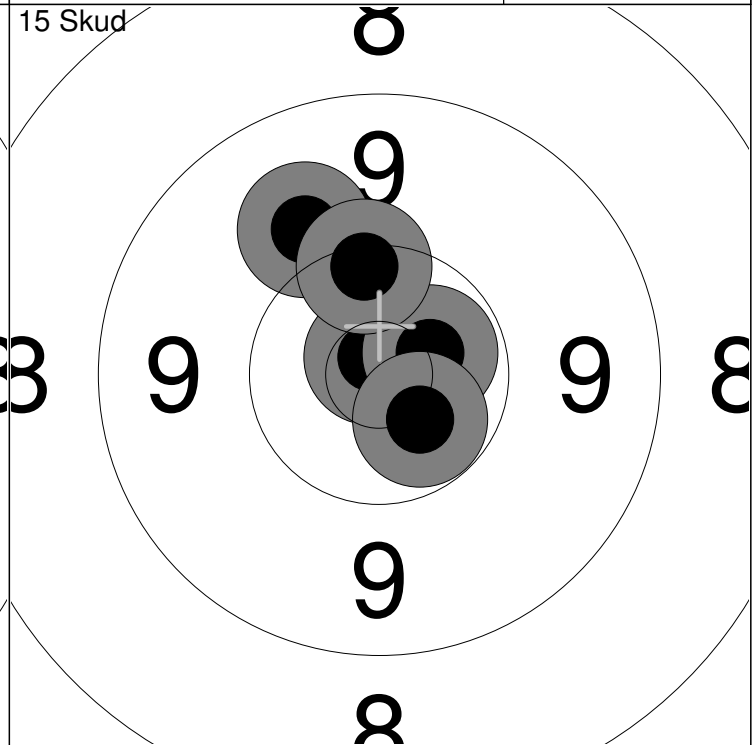
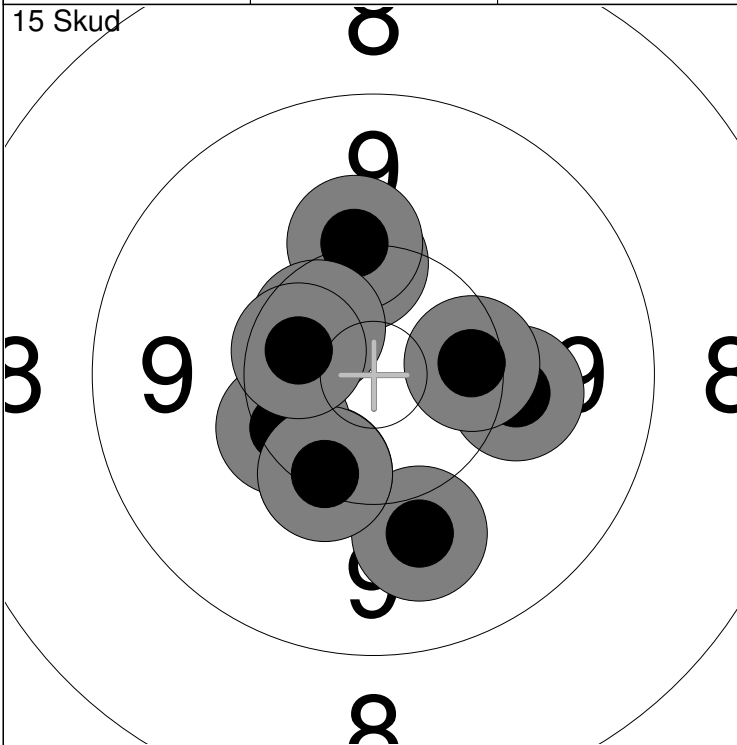


11:	*10.4	↗
12:	10.0	↗
13:	10.4	↘
14:	10.1	↘
15:	10.3	↗
Serie		50.0
Total		149.0



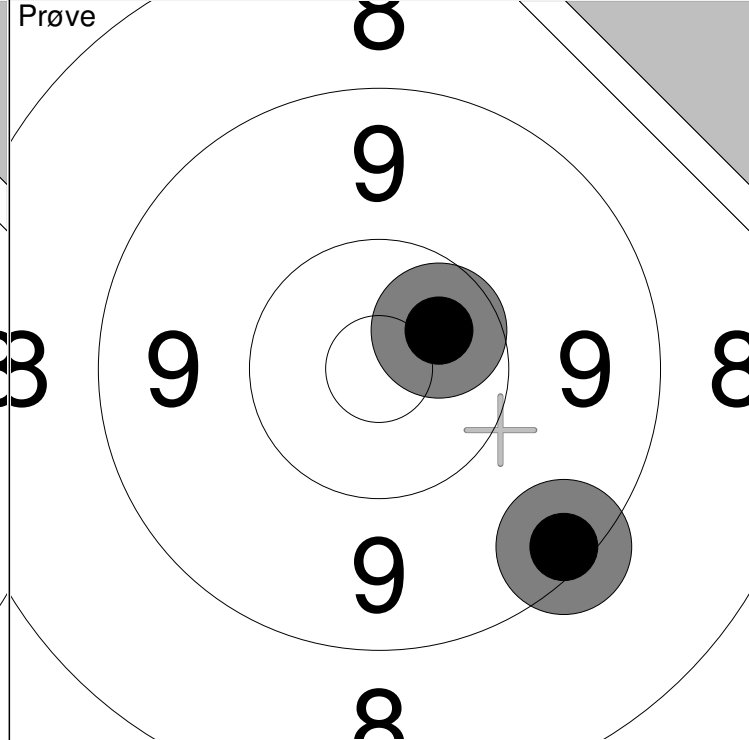
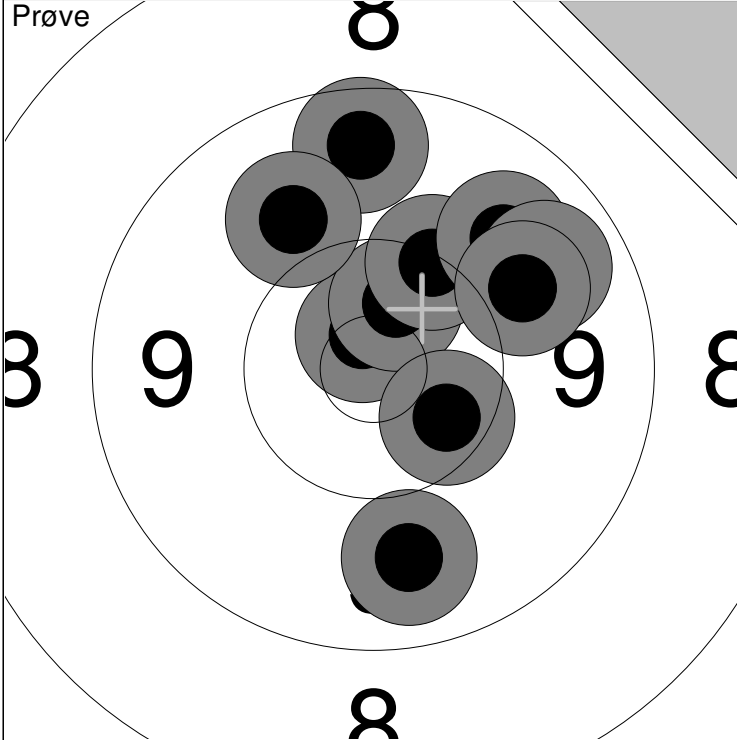
1: 9.0 ↗	6: 10.2 ↗	Serie	96.0
2: 9.3 ↓	7: 10.0 ↗		
3: 10.1 ↙	8: 10.2 ↖	Total	0.0
4: 9.8 ↖	9: 9.7 ↙		
5: 10.0 ↗	10: 10.0 ↗		

11: 10.2 ↗	Serie	20.0
12: 10.3 ↘		
Total		0.0



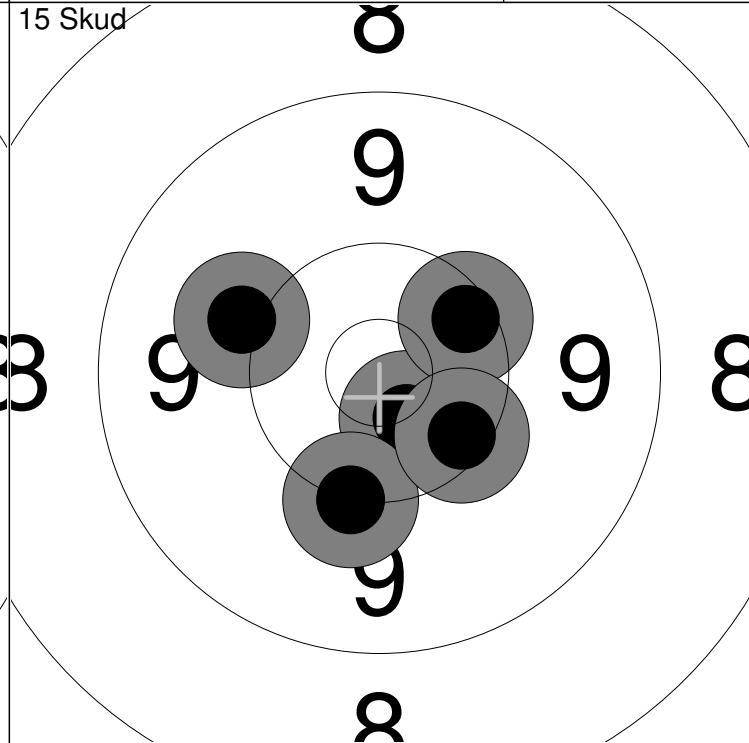
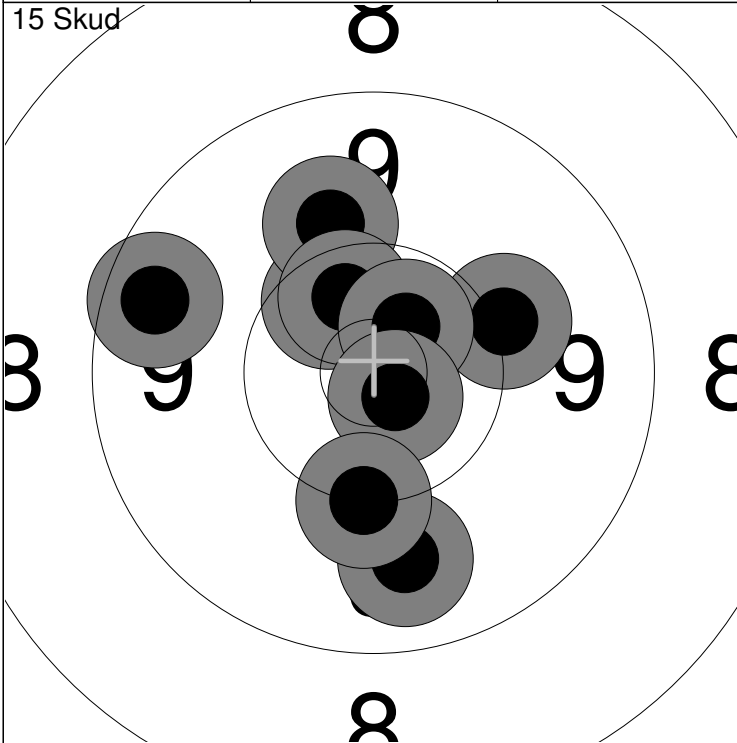
1: 10.3 ↑	6: *10.5 ↗	Serie	99.0
2: 10.1 ↑	7: 10.1 →		
3: 9.9 ↓	8: 10.3 ↘	Total	99.0
4: 10.3 ↘	9: 10.3 →		
5: 10.3 ↙	10: *10.5 ↖		

11: *10.8 ↗	Serie	50.0
12: *10.6 →		
13: *10.6 ↘	Total	149.0
14: 10.0 ↗		
15: 10.3 ↑		



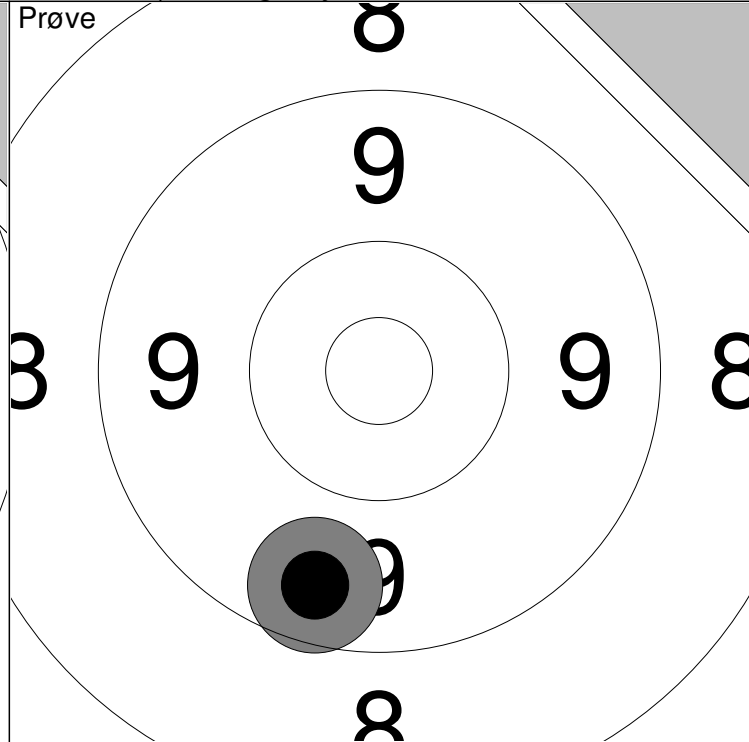
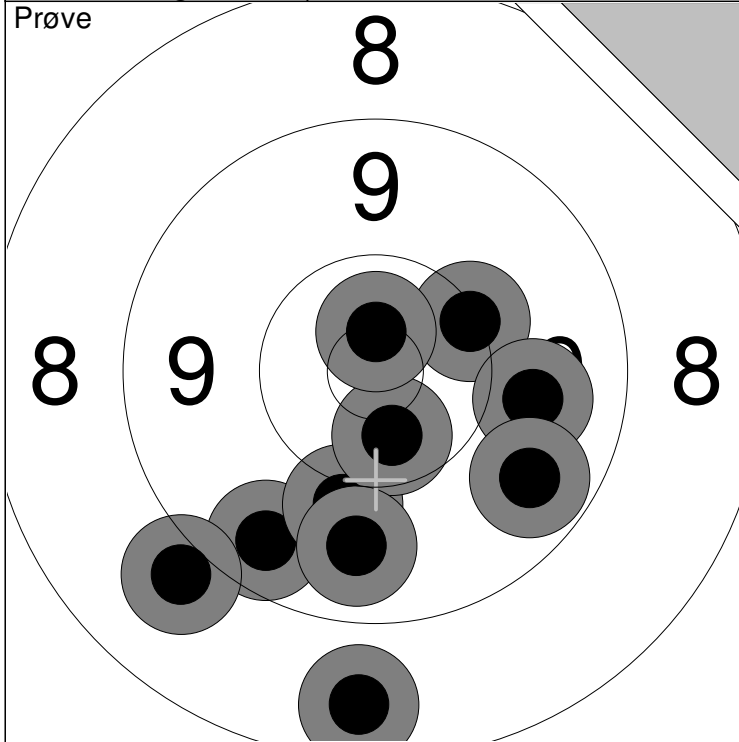
1: *10.7 ↗	6: 9.8 ↓	Serie	94.0
2: *10.5 ↗	7: 9.8 ↗		
3: 9.6 ↗	8: 9.9 ↖	Total	0.0
4: 10.4 ↘	9: 9.7 ↗		
5: 10.2 ↗	10: 9.9 ↗		

11: 9.3 ↓	Serie	19.0
12: *10.5 ↗		
	Total	0.0

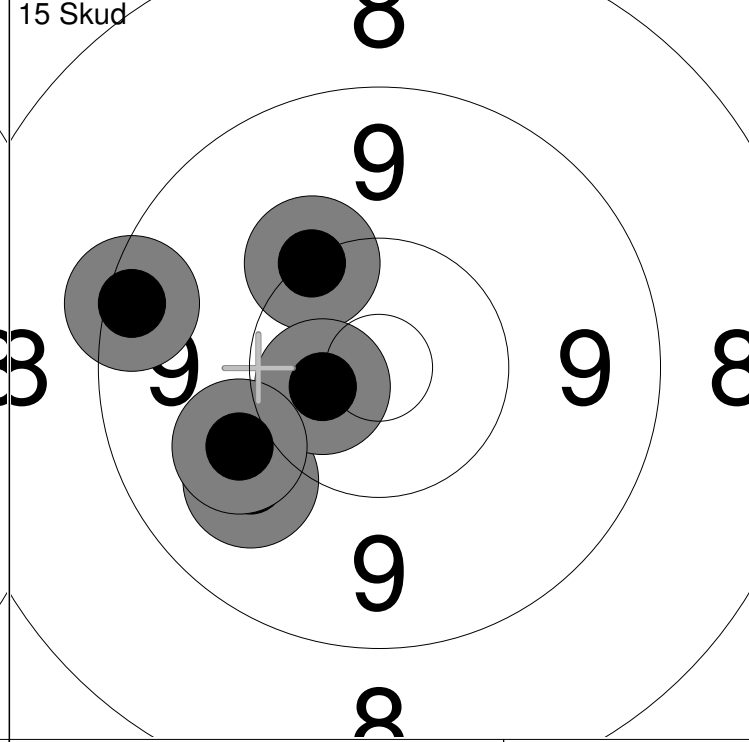
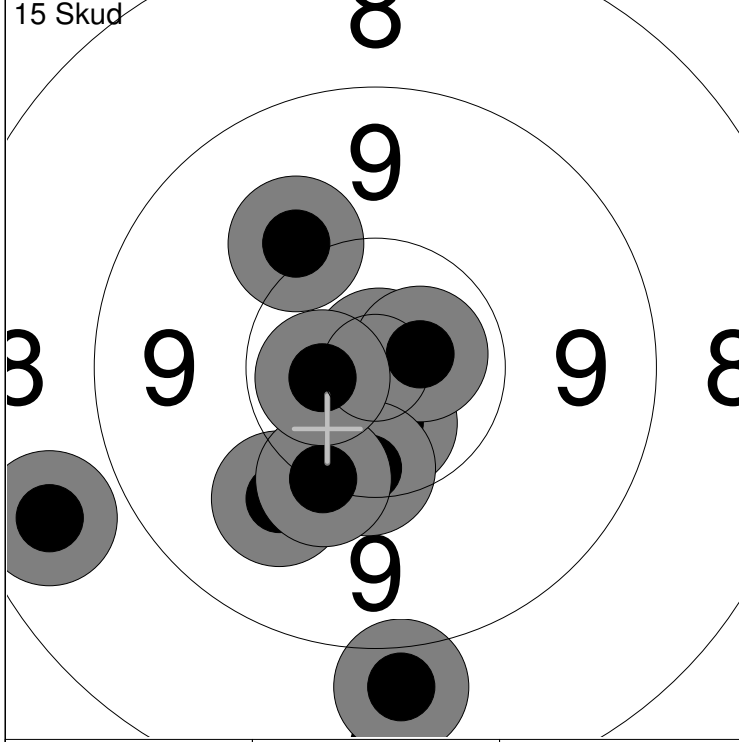


1: *10.7 ↗	6: 10.1 ↗	Serie	98.0
2: 9.8 ↓	7: 9.5 ←		
3: *10.4 ↗	8: *10.6 ↗	Total	98.0
4: 10.0 ↗	9: *10.8 ↘		
5: *10.5 ↗	10: 10.2 ↓		

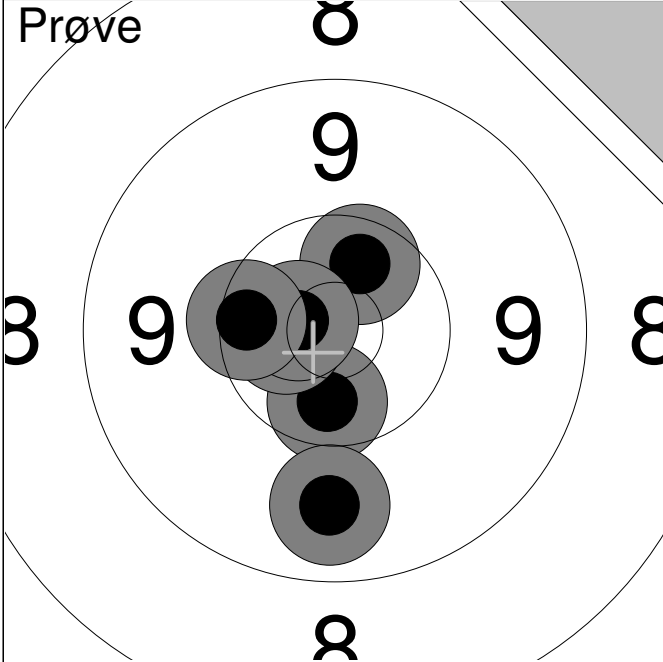
11: *10.6 ↓	Serie	50.0
12: 10.0 ←		
13: 10.3 ↗	Total	148.0
14: 10.2 ↓		
15: 10.3 ↘		



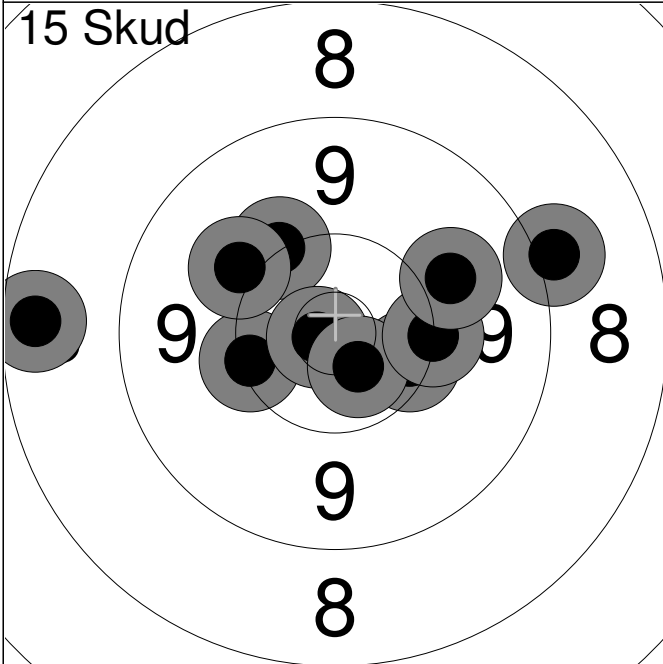
1: 10.2 ↗	6: 10.0 ↓	Serie	93.0	11: 9.6 ↓	Serie	9.0
2: 8.6 ↓	7: 9.0 ↙			Total		
3: 9.9 →	8: *10.5 ↓					
4: 9.5 ↙	9: 9.7 ↓					
5: 9.7 ↘	10: *10.7 ↑					



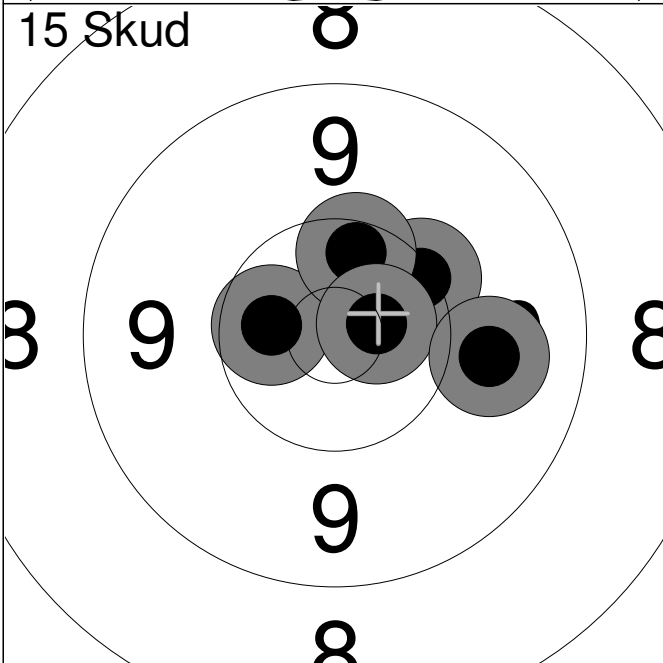
1: *10.9 ↑	6: 8.7 ←	Serie	96.0	11: 9.9 ↙	Serie	48.0
2: *10.6 ↓	7: 10.2 ↓			Total		
3: *10.7 →	8: *10.6 ←				13: *10.6 ←	
4: 10.3 ↓	9: 8.9 ↓			14: 9.3 ←		
5: 10.0 ↙	10: 10.1 ↗			15: 10.0 ↙		



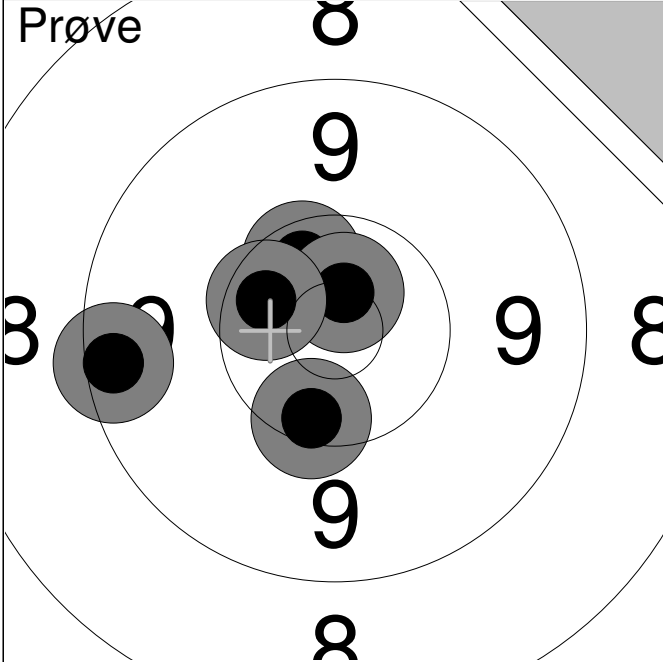
1:	*10.5	↗
2:	*10.5	↘
3:	*10.6	←
4:	*10.7	↖
5:	9.7	↘
6:	10.3	←
Serie		59.0
Total		0.0



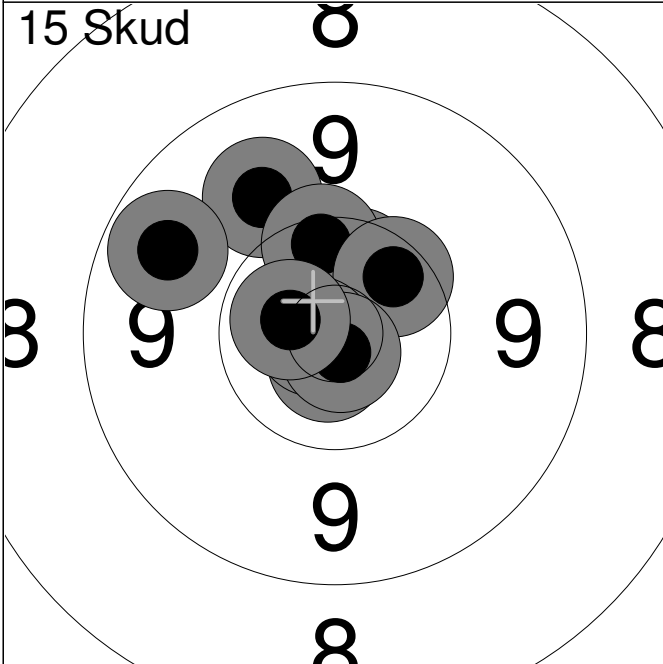
1:	10.1	↗
2:	10.2	←
3:	10.3	→
4:	*10.8	←
5:	*10.6	↘
6:	9.0	→
7:	10.0	↗
8:	8.5	←
9:	10.2	→
10:	9.9	↗
Serie		96.0
Total		96.0



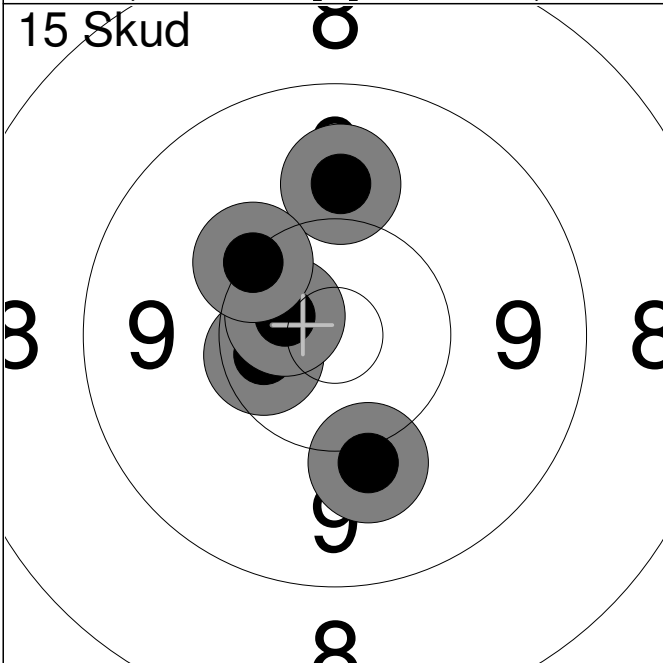
11:	*10.5	←
12:	10.2	↗
13:	10.4	↗
14:	*10.7	→
15:	9.9	→
Serie		49.0
Total		145.0



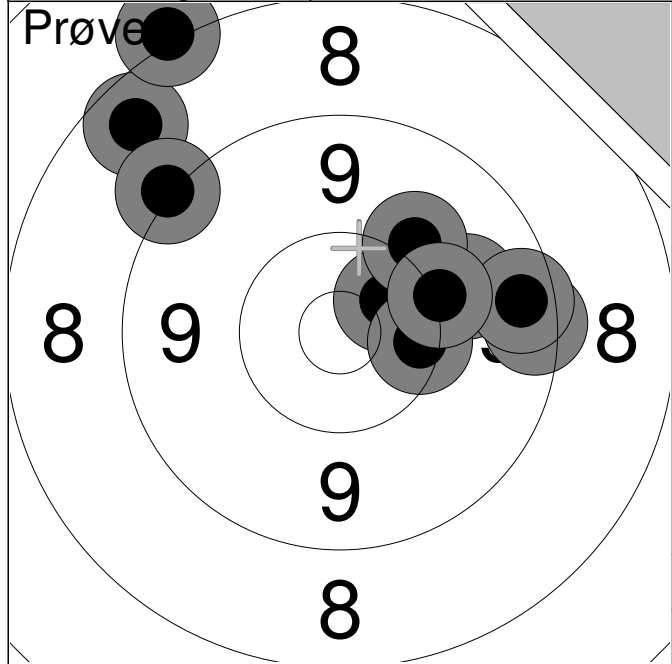
1:	9.4	←
2:	*10.4	↑
3:	10.3	↓
4:	*10.7	↑
5:	*10.4	←
Serie		49.0
Total		0.0



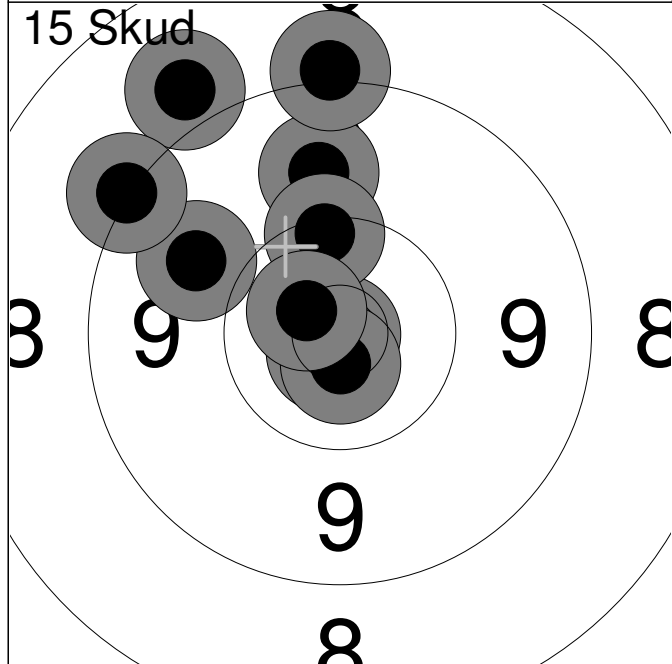
1:	*10.5	↑
2:	9.9	↑
3:	*10.9	→
4:	9.7	←
5:	10.3	↑
6:	10.4	↗
7:	*10.7	↓
8:	*10.8	←
9:	*10.8	↓
10:	*10.6	←
Serie		98.0
Total		98.0



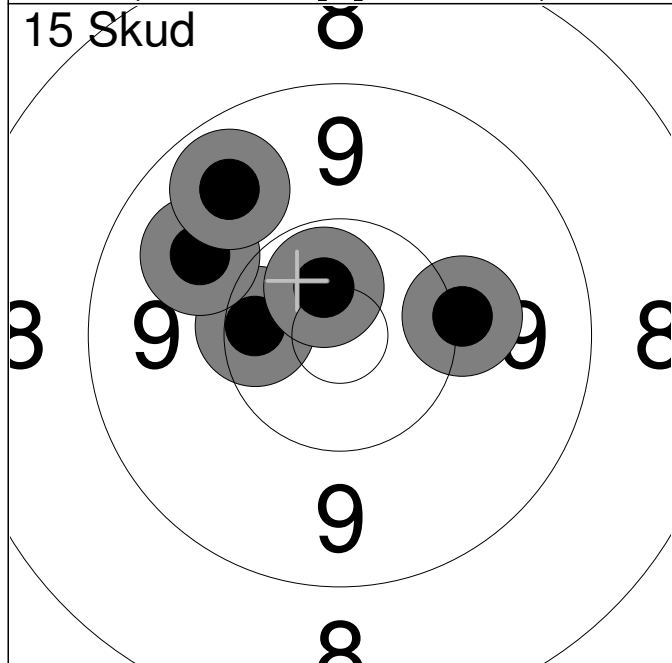
11:	10.0	↓
12:	*10.4	←
13:	9.9	↑
14:	*10.6	←
15:	10.2	↗
Serie		49.0
Total		147.0



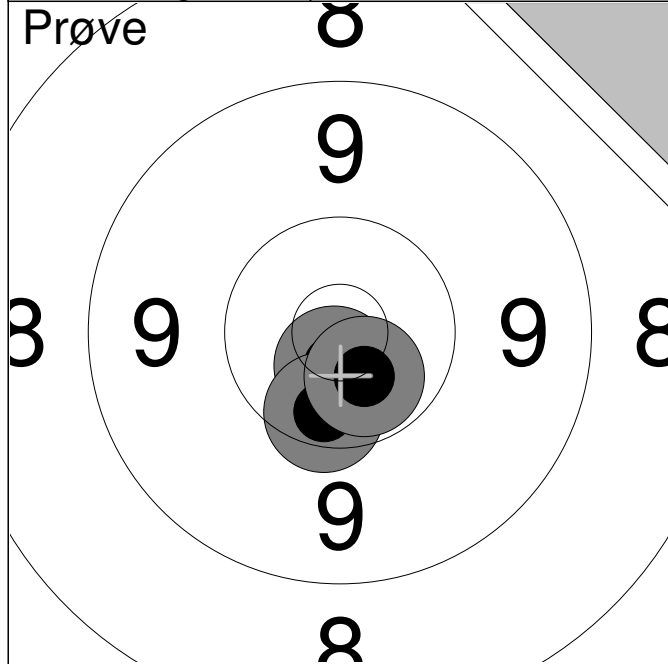
1:	9.9	→
2:	8.5	↗
3:	8.1	↗
4:	*10.5	↗
5:	10.3	→
6:	9.4	→
7:	9.1	↗
8:	10.0	↗
9:	9.5	→
10:	10.1	→
Serie		92.0
Total		0.0



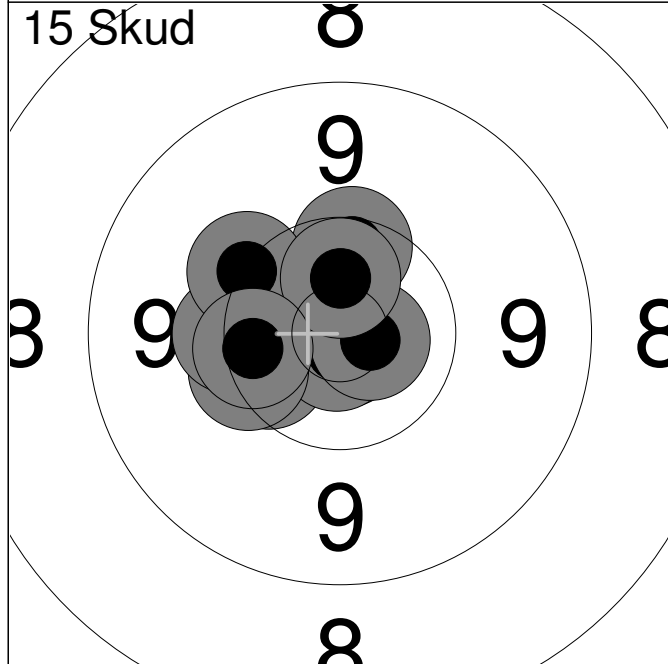
1:	*10.9	↘
2:	*10.8	↘
3:	9.8	↑
4:	10.3	↑
5:	*10.7	↘
6:	9.8	↗
7:	8.9	↗
8:	9.1	↗
9:	*10.7	↗
10:	9.1	↑
Serie		94.0
Total		94.0



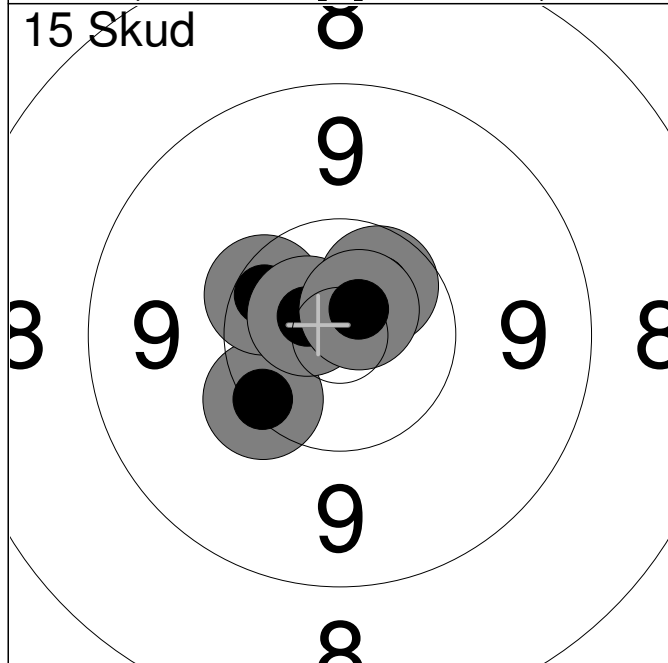
11:	10.4	←
12:	10.1	→
13:	9.8	↗
14:	*10.6	↗
15:	9.7	↗
Serie		48.0
Total		142.0



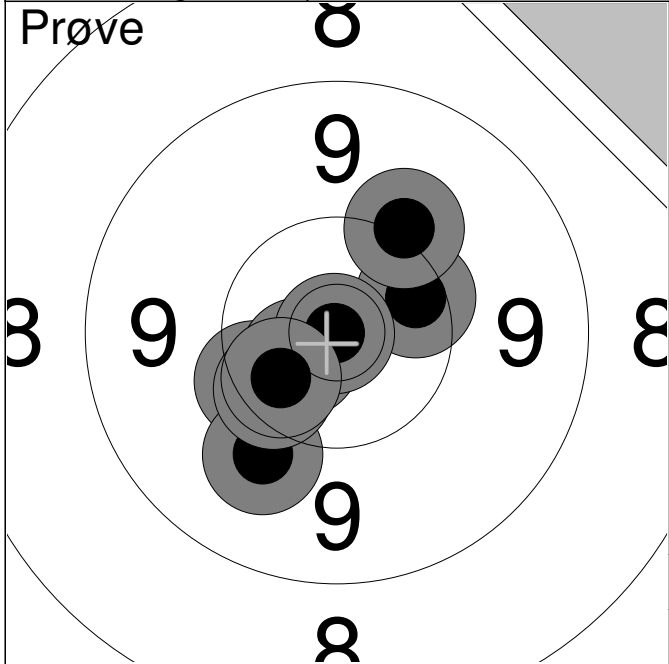
	1:	*10.6			↓
	2:	*10.7			↓
	3:	10.4			↓
	4:	*10.6			↓
Serie					40.0
Total					0.0



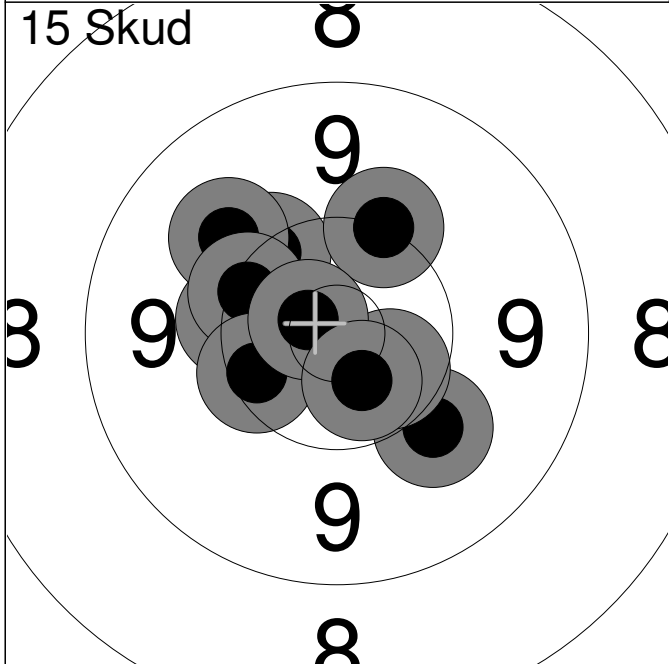
	1:	10.4			↙
	2:	*10.9			↓
	3:	*10.8			↓
	4:	*10.7			→
	5:	10.3			↙
	6:	10.2			↙
	7:	10.3			↑
	8:	10.2			↖
	9:	*10.6			↑
	10:	10.3			↙
Serie					100.0
Total					100.0



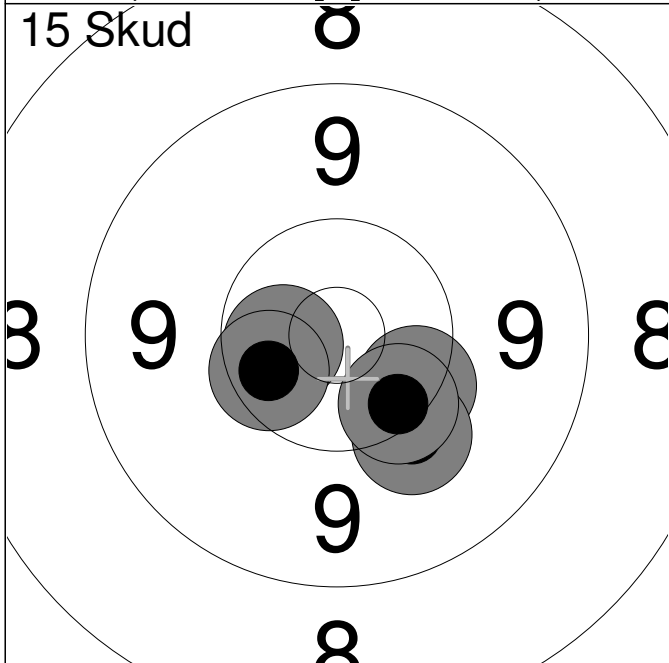
	11:	10.3			↙
	12:	10.4			↖
	13:	*10.7			↖
	14:	*10.5			↗
	15:	*10.7			↗
Serie					50.0
Total					150.0



1:	10.3	←
2:	*10.7	←
3:	10.4	→
4:	*10.9	←
5:	10.1	↗
6:	10.0	↘
7:	10.4	↘
8:	*10.5	↘
Serie		80.0
Total		0.0



1:	10.3	←
2:	10.2	↗
3:	10.0	↘
4:	*10.5	↘
5:	10.2	↗
6:	10.0	↗
7:	10.3	↗
8:	10.3	←
9:	*10.7	↗
10:	*10.6	↘
Serie		100.0
Total		100.0



11:	10.3	↘
12:	10.1	↘
13:	*10.6	←
14:	10.3	↘
15:	*10.4	↘
Serie		50.0
Total		150.0